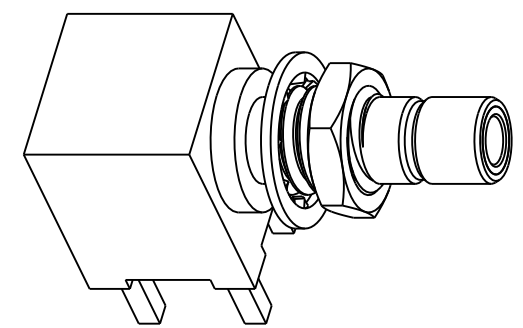


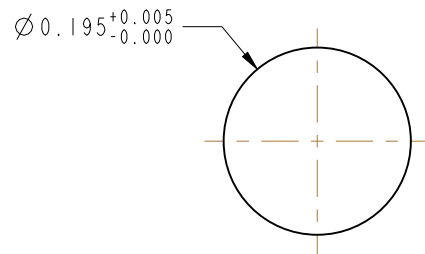
- NOTES:
- MATERIALS AND FINISHES:  
 BODY - BRASS, GOLD PLATING  
 CUBE BODY - BRASS, TIN PLATING  
 CONTACT - BRASS, GOLD PLATING  
 INSULATOR - PTFE
  - MECHANICAL:  
 A. DURABILITY: 500 CYCLES MIN.  
 B. TEMPERATURE RANGE: -65° C TO +165° C
  - PACKAGING:  
 A. QUANTITY: SINGLE PACK  
 B. MARKING: BAG TO BE MARKED  
 "AMPHENOLRF 903-413J-51A, AND DATE CODE"

THIRD ANGLE PROJ.

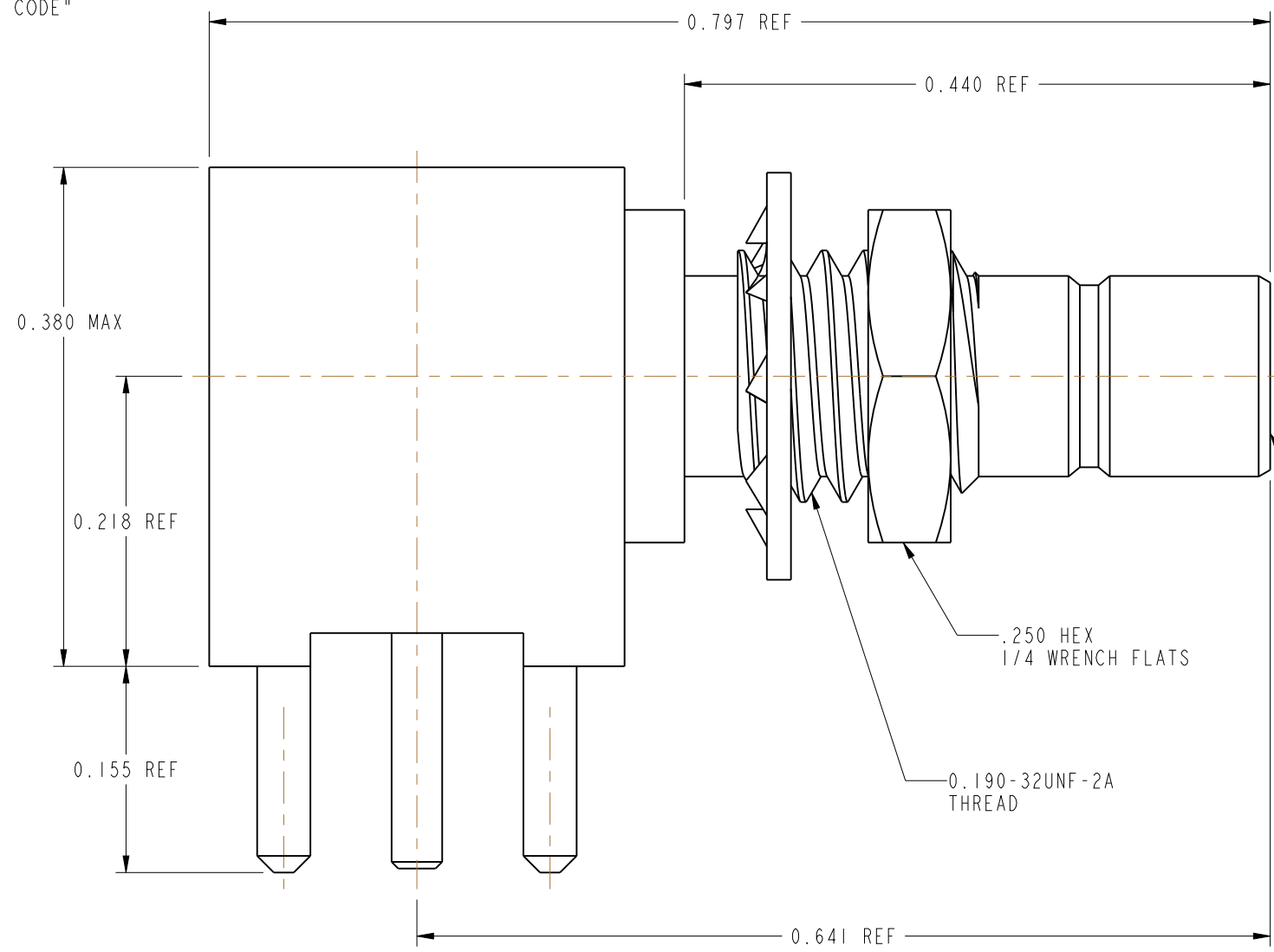
REVISIONS				
REV	DESCRIPTION	DATE	ECO	APPR
--	RELEASED TO MFG.	-----	-----	-----
F	REDRAW IN PRO E, ADDED COD	1/14/13	48616	RAK



SCALE 3.000



**RECOMMENDED MOUNTING HOLE DIMENSIONS**



**CUSTOMER OUTLINE DRAWING**  
 ALL OTHER SHEETS ARE FOR INTERNAL USE ONLY

UNLESS OTHERWISE SPECIFIED, DIMENSIONS ARE IN INCHES AND TOLERANCES ARE: 2 PLACE DECIMAL 3 PLACE DECIMAL ANGLES $\pm .015$ (0,381 mm) $\pm .005$ (0,127 mm) $\pm 1^\circ$	MATERIAL	DRAWN ABHAYA KISHORE	DATE 13-Jun-11	TITLE SMB RT ANGLE BULKHEAD JACK PC MOUNT		Amphenol RF www.amphenolrf.com	
	REFERENCE EAR # 111-961560 1 615X-1049-200 CONFIGURATION LEVEL:	ENGINEER ABHAYA KISHORE	DATE 13-Jun-11				
NOTICE - These drawings, specifications, or other data (1) are, and remain the property of Amphenol corp. (2) must be returned upon request; and (3) are confidential and not to be disclosed to any person other than those to whom they are given by Amphenol Corp. the furnishing of these drawings, specifications, or other data by Amphenol Corp., or to any other person to anyone for any purpose is not to be regarded by implication or otherwise in any manner licensing, granting rights to permitting such holder or any other person to manufacture, use or sell any product, process or design, patented or otherwise, that may in any way be related to or disclosed by said drawings, specifications, or other data.	FINISH	APPROVED K. CAPOZZI	DATE 1/14/13	DWG SIZE B	REV F	ITEM NO.903-413J-51A	PART NO.903-413J-51A
		H:\PETE\SMB\903\ASSY\413J51A0					

# Mouser Electronics

Authorized Distributor

Click to View Pricing, Inventory, Delivery & Lifecycle Information:

[Amphenol:](#)

[903-413J-51A](#)