

DISCRIPTION: DIP SOLDER MALE/STAMPED

**SPECIFICATIONS:**

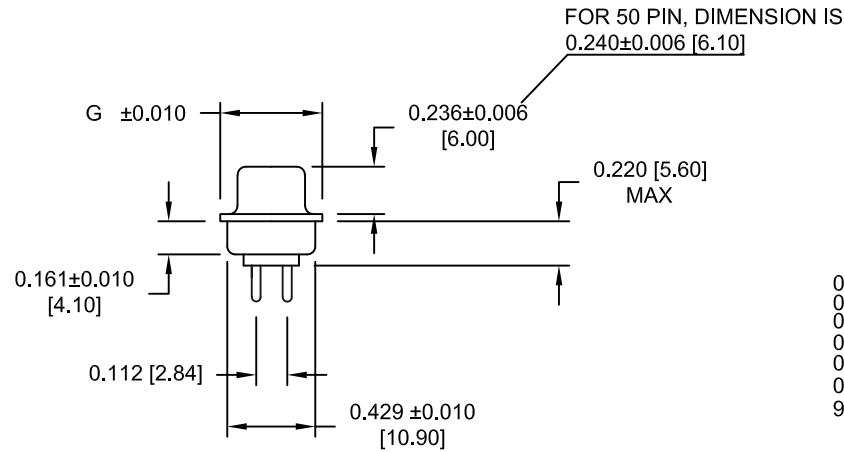
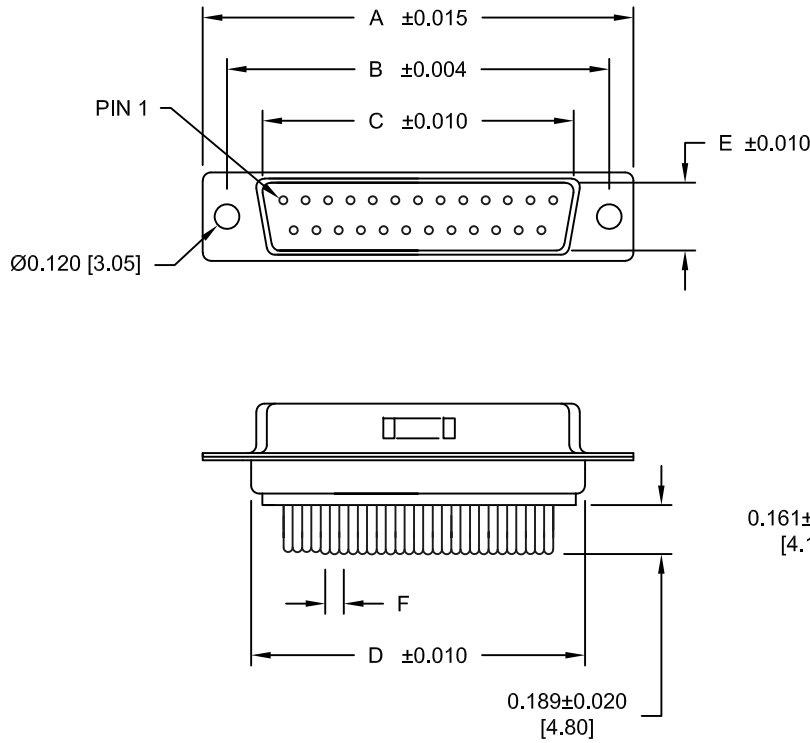
**MATERIALS:**

SHELL: STEEL, NICKEL PLATED  
 INSULATOR: UL 94V-0 RATED PA6T  
 CONTACT: BRASS WITH GOLD PLATING  
 RoHS COMPLIANT

**ELECTRICALS:**

CURRENT RATING: 5 AMPS  
 CONTACT RESISTANCE: 15 mOHMS MAX  
 INSULTOR RESISTANCE: 1000 MOHMS MIN  
 VOLTAGE: 500V AC FOR 1 MINUTE  
 TEMPERATURE: -55°C TO +125°C

POS.	A	B	C	D	E	F	G
9	1.213	0.984	0.666	0.756	0.329	0.109	0.496
	30.80	24.99	16.92	19.20	8.36	2.77	12.60
15	1.541	1.312	0.994	1.091	0.329	0.109	0.496
	39.15	33.32	25.25	27.70	8.36	2.77	12.60
25	2.087	1.852	1.534	1.618	0.329	0.109	0.496
	53.00	47.04	38.96	41.10	8.36	2.77	12.60
37	2.732	2.500	2.181	2.256	0.329	0.109	0.496
	69.30	63.50	55.42	57.30	8.36	2.77	12.60
50	2.638	2.406	2.079	2.169	0.436	0.109	0.602
	67.00	61.00	52.80	55.10	11.07	2.77	15.30



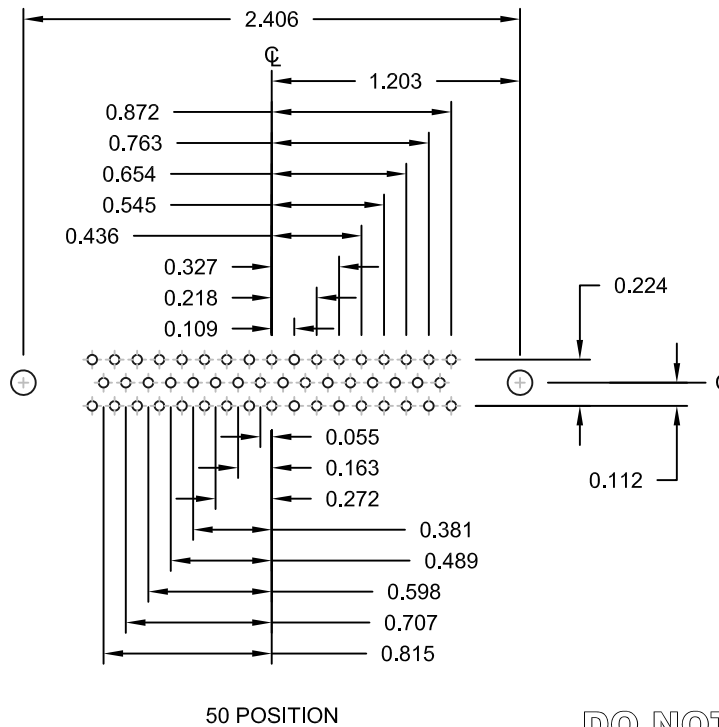
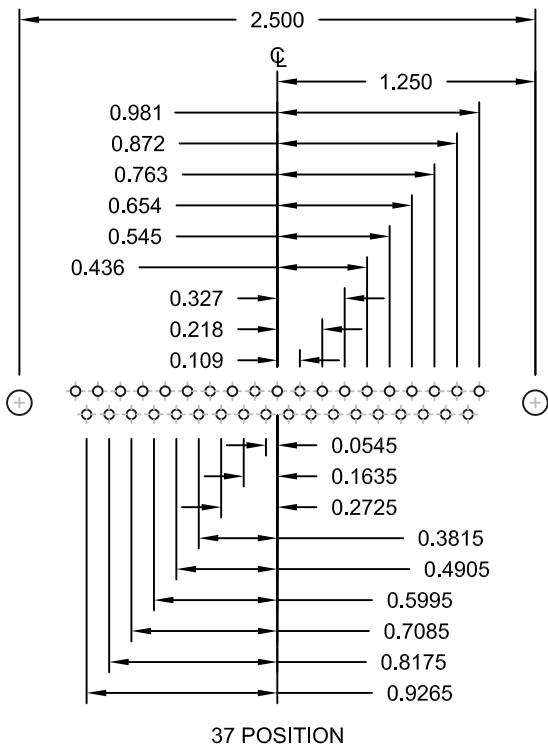
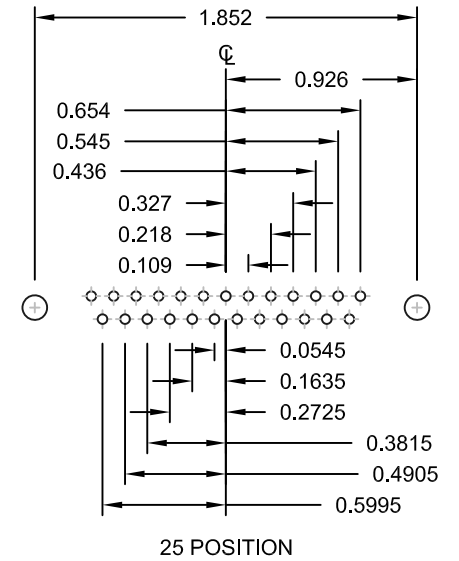
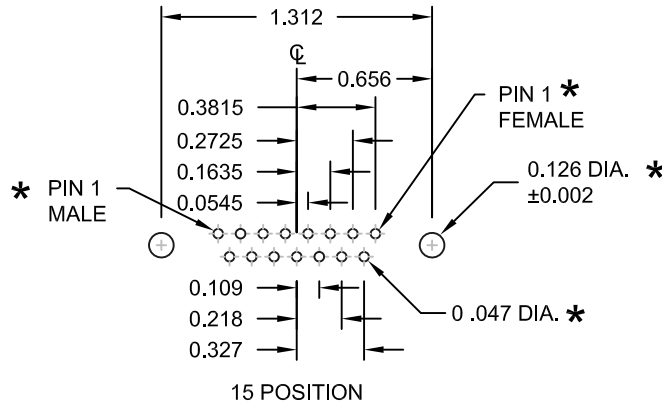
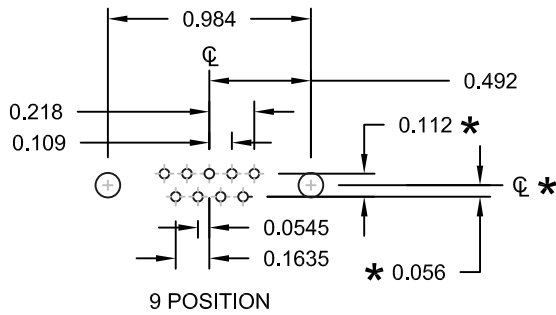
- 171-YYY-113RYY1
- SERIES
  - POSITIONS
  - 009
  - 015
  - 025
  - 037
  - 050
  - GENDER
  - 1 = MALE
  - 2 = FEMALE
  - TERMINATION
  - 1 = DIP SOLDER
  - SHELL PLATING
  - 3 = NICKEL
  - HARDWARE OPTIONS
  - 00 = NO HARDWARE
  - 01 = .098" 4-40 CLINCH NUT BOARD SIDE
  - 02 = .236" 4-40 CLINCH NUT BOARD SIDE
  - 03 = .236" 4-40 CLINCH NUT MATING SIDE
  - 05 = .237" 4-40 BOARD LOCK
  - 08 = .228" 4-40 BOARD LOCK
  - 90 = .237" 4-40 BOARD LOCK FOR 0.093" BOARD
  - 91 = .237" 4-40 SPACER/BOARD LOCK
  - 92 = .237" 4-40 SPACER/BOARD LOCK FOR 0.093" BOARD
  - PLATING OPTIONS
  - 1 = GOLD FLASH
  - 2 = 30 MICRO-INCH GOLD

DO NOT SCALE FROM DRAWING

	THESE DRAWINGS AND SPECIFICATIONS ARE THE PROPERTY OF NorComp AND SHALL NOT BE REPRODUCED, COPIED OR USED AS THE BASIS FOR THE MANUFACTURE OF SALE OF APPARATUS WITHOUT WRITTEN PERMISSION.		DRAWN: PAM JENKINS	DATE: 9-12-05
	NorComp		SCALE: NTS	SHEET 1 OF 3
DWG NO. 171-YYY-113RYY1				

RoHS COMPLIANT

DESCRIPTION: PCB LAYOUT - STANDARD "D" - MALE & FEMALE



\* TYP. ON ALL SIZES

DO NOT SCALE FROM DRAWING



THESE DRAWINGS AND SPECIFICATIONS ARE THE PROPERTY OF NorComp AND SHALL NOT BE REPRODUCED, COPIED OR USED AS THE BASIS FOR THE MANUFACTURE OF SALE OF APPARATUS WITHOUT WRITTEN PERMISSION.

DRAWN: PAM JENKINS

DATE: 9-12-05

NorComp

SCALE: NTS SHEET 2 OF 3 REV 13

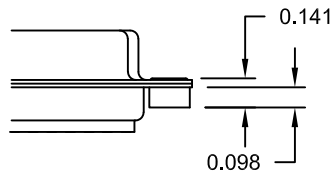
DWG NO. 171-YYY-113RYY1

DESCRIPTION: CLINCH NUT HARDWARE

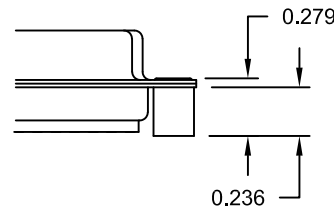
ALL CLINCH-NUTS ARE 4-40 INTERNAL THREADS

TOLERANCE:  
ALL DIMENSIONS ARE ±0.010

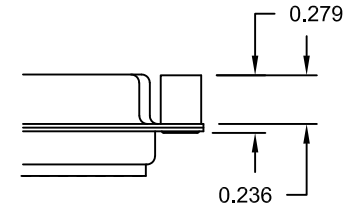
01X ..... 0.098" (BOARD SIDE)



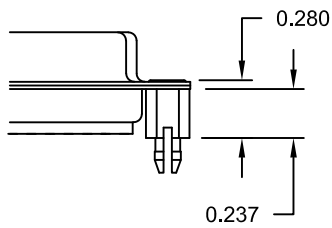
02X ..... 0.236" (BOARD SIDE)



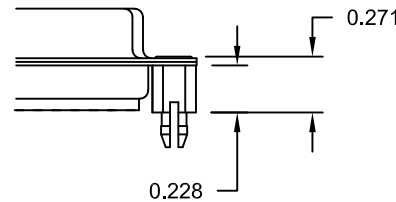
03X..... 0.236" (MATING SIDE)



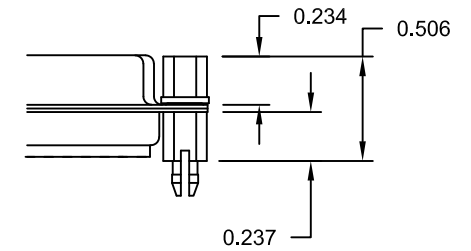
05X ..... 0.237" (BOARD SIDE)



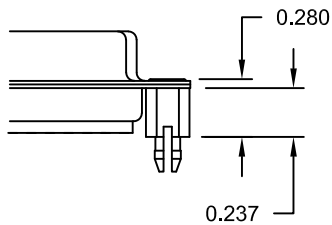
08X ..... 0.228" (BOARD SIDE)



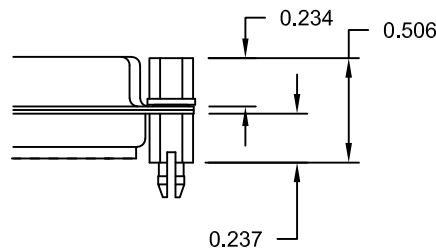
91X ..... 0.237" BOARD SIDE  
0.197 MATING SIDE



90X ..... 0.237" (BOARD SIDE)



92X ..... 0.237" BOARD SIDE  
0.197 MATING SIDE



NOTE: 4-40 FEMALE SCREW LOCK IS REMOVABLE

NOTE: 90 & 92 OPTION FOR 0.093" MAX. BOARD THICKNESS

DO NOT SCALE FROM DRAWING



THESE DRAWINGS AND SPECIFICATIONS ARE THE PROPERTY OF NorComp AND SHALL NOT BE REPRODUCED, COPIED OR USED AS THE BASIS FOR THE MANUFACTURE OF SALE OF APPARATUS WITHOUT WRITTEN PERMISSION.

DRAWN:  
PAM JENKINS

DATE:  
9-12-05

SCALE:  
NTS

SHEET OF  
3 3

REV  
13

DWG NO.  
171-YYY-113RYY1

RoHS COMPLIANT

NorComp

# Mouser Electronics

Authorized Distributor

Click to View Pricing, Inventory, Delivery & Lifecycle Information:

## NorComp:

<a href="#"><u>171-009-113R011</u></a>	<a href="#"><u>171-009-113R021</u></a>	<a href="#"><u>171-009-113R031</u></a>	<a href="#"><u>171-009-113R911</u></a>	<a href="#"><u>171-015-113R011</u></a>	<a href="#"><u>171-015-113R021</u></a>
<a href="#"><u>171-015-113R031</u></a>	<a href="#"><u>171-015-113R911</u></a>	<a href="#"><u>171-025-113R011</u></a>	<a href="#"><u>171-025-113R021</u></a>	<a href="#"><u>171-025-113R031</u></a>	<a href="#"><u>171-025-113R911</u></a>
<a href="#"><u>171-037-113R011</u></a>	<a href="#"><u>171-037-113R021</u></a>	<a href="#"><u>171-037-113R031</u></a>	<a href="#"><u>171-037-113R911</u></a>	<a href="#"><u>171-050-113R011</u></a>	<a href="#"><u>171-050-113R021</u></a>
<a href="#"><u>171-050-113R031</u></a>	<a href="#"><u>171-050-113R911</u></a>	<a href="#"><u>171-050-213R001</u></a>	<a href="#"><u>171-050-113R001</u></a>	<a href="#"><u>171-025-113R001</u></a>	<a href="#"><u>171-025-213R001</u></a>
<a href="#"><u>171-015-113R001</u></a>	<a href="#"><u>171-015-213R001</u></a>	<a href="#"><u>171-037-113R001</u></a>	<a href="#"><u>171-037-213R001</u></a>	<a href="#"><u>171-009-113R001</u></a>	<a href="#"><u>171-009-213R001</u></a>
<a href="#"><u>171-025-113R051</u></a>	<a href="#"><u>171-037-213R051</u></a>				