

TWM/TWW Series



Ceramic Housed Radial Terminal Power

The TWM/TWW series radial terminal power resistors offer significant board space savings over axial terminal products. Generated heat is also kept away from the circuit board.

They are recommended for commercial applications requiring low cost.



FEATURES

- Economical Commercial Grade for general purpose use
- Wirewound and Metal Oxide construction
- Wide resistance range
- Flameproof inorganic construction

SERIES SPECIFICATIONS

Series	Wattage	Resistance	Voltage	Element
TWW3	3	0.01-39Ω	250	Wire
TWW5	5	0.01-47Ω	350	Wire
TWW10	10	0.04-990Ω	750	Wire
TWW15	15	0.1Ω-560Ω	700	Wire
TWW20	20	0.1Ω-560Ω	750	Wire
TWM3	3	43-50KΩ	250	Metal oxide
TWM5	5	51-50KΩ	350	Metal oxide
TWM10	10	1000-50KΩ	750	Metal oxide
TWM15	15	561Ω-200KΩ	700	Metal oxide
TWM20	20	561Ω-200KΩ	750	Metal oxide

CHARACTERISTICS

Housing	Ceramic
Core	Fiberglass
Filling	Cement based
Tolerance	5% standard
Temperature coefficient	0.01-20Ω ±400ppm/°C; >20-10Ω ±350ppm/°C
Dielectric withstanding voltage	1,000VAC
Short time overload	TWW: 10x rated power for 5 sec.; TWM: 5x rated power for 5 sec. 15 & 20 watt: 2.5x RCWV for 5 sec.
Operating Temperature	-55°C to 275°C
Storage Temperature	15°C-35°C, humidity: 25%-75%

Derating



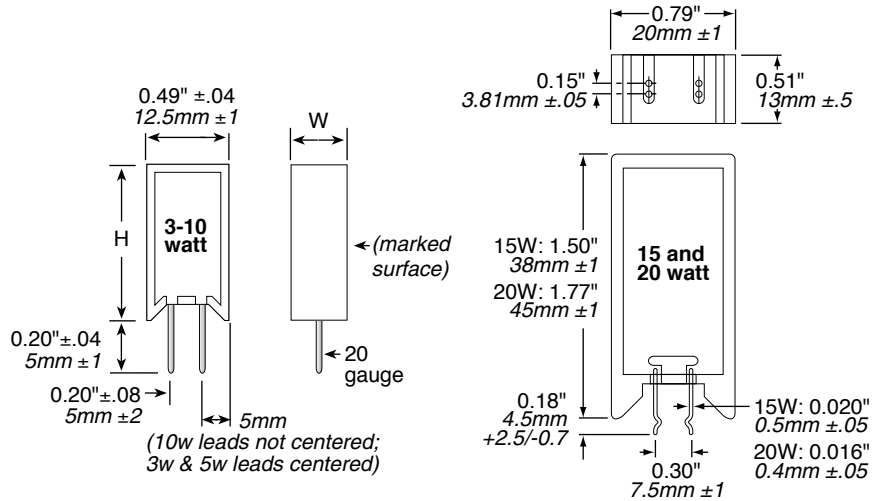
(continued)

TWM/TWW Series

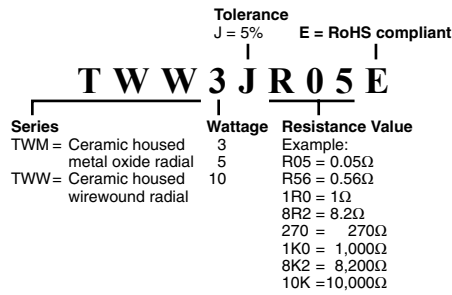
Ceramic Housed Radial Terminal Power

DIMENSIONS

3-10 watt Series	Height (in./mm) ±1mm	Width (in./mm) ±1mm
TWW3	0.98 / 25	0.33 / 8.5
TWW5	0.98 / 25	0.35 / 9
TWM10	1.97 / 50	0.35 / 9
TWM3	0.98 / 25	0.33 / 8.5
TWM5	0.98 / 25	0.35 / 9
TWM10	1.97 / 50	0.35 / 9



HOW TO ORDER



Standard part numbers for TWW series

Ohmic value	Part No. Prefix Suffix	Wattage					Ohmic value	Part No. Prefix Suffix	Wattage				
		3	5	10	15	20			3	5	10	15	20
0.01	R01E	✓	✓				2.0	R0E	✓	✓	✓		
0.02	R02E	✓	✓				2.7	R07E	✓	✓	✓		✓
0.03	R03E	✓	✓				3.0	R0E	✓	✓	✓		
0.04	R04E	✓	✓	✓			3.3	R3E	✓	✓	✓		
0.05	R05E	✓	✓	✓			3.9	R9E	✓	✓	✓		
0.10	R10E	✓	✓	✓	✓		4.3	R3E	✓	✓	✓		
0.15	R15E	✓	✓	✓	✓		4.7	R7E	✓	✓	✓		
0.20	R20E	✓	✓	✓	✓		5.6	R6E	✓	✓	✓		
0.27	R27E	✓	✓	✓	✓		6.8	R8E	✓	✓	✓		
0.30	R30E	✓	✓	✓	✓		7.5	R5E	✓	✓	✓		
0.33	R33E	✓	✓	✓	✓		8.2	R2E	✓	✓	✓		
0.39	R39E	✓	✓	✓	✓		10	R0E	✓	✓	✓	✓	
0.43	R43E	✓	✓	✓	✓		15	R5E	✓	✓	✓	✓	
0.47	R47E	✓	✓	✓	✓		20	R0E	✓	✓	✓	✓	
0.56	R56E	✓	✓	✓	✓		22	R2E	✓	✓	✓		
0.68	R68E	✓	✓	✓	✓		27	R7E	✓	✓	✓	✓	
0.75	R75E	✓	✓	✓	✓		30	R0E	✓	✓	✓	✓	
0.82	R82E	✓	✓	✓	✓		33	R3E	✓	✓	✓	✓	
1.0	R0E	✓	✓	✓	✓		39	R9E	✓	✓	✓	✓	
1.5	R5E	✓	✓	✓	✓		43	R3E	✓	✓	✓	✓	
							47	R7E	✓	✓	✓	✓	
							51	R1E	✓	✓	✓	✓	
							56	R6E	✓	✓	✓	✓	
							68	R8E	✓	✓	✓	✓	
							75	R5E	✓	✓	✓	✓	
							82	R2E	✓	✓	✓	✓	
							100	R0E	✓	✓	✓	✓	
							150	R5E	✓	✓	✓	✓	
							200	R0E	✓	✓	✓	✓	
							270	R7E	✓	✓	✓	✓	
							300	R0E	✓	✓	✓	✓	
							330	R3E	✓	✓	✓	✓	
							390	R9E	✓	✓	✓	✓	
							430	R3E	✓	✓	✓	✓	
							470	R7E	✓	✓	✓	✓	
							500	R0E	✓	✓	✓	✓	
							560	R6E	✓	✓	✓	✓	
							680	R8E	✓	✓	✓	✓	
							750	R5E	✓	✓	✓	✓	
							820	R2E	✓	✓	✓	✓	

Standard part numbers for TWM series

Ohmic value	Part No. Prefix Suffix	Wattage					Ohmic value	Part No. Prefix Suffix	Wattage				
		3	5	10	15	20			3	5	10	15	20
43	R3E	✓					1000	R0E	✓	✓	✓	✓	✓
47	R7E	✓					1500	R5E	✓	✓	✓	✓	✓
56	R6E	✓	✓				2000	R0E	✓	✓	✓	✓	✓
68	R8E	✓	✓	✓			2700	R7E	✓	✓	✓	✓	✓
75	R5E	✓	✓	✓			3000	R0E	✓	✓	✓	✓	✓
82	R2E	✓	✓	✓			3300	R3E	✓	✓	✓	✓	✓
100	R0E	✓	✓	✓	✓		3900	R9E	✓	✓	✓	✓	✓
150	R5E	✓	✓	✓	✓		4300	R3E	✓	✓	✓	✓	✓
200	R0E	✓	✓	✓	✓		4700	R7E	✓	✓	✓	✓	✓
270	R7E	✓	✓	✓	✓		5600	R6E	✓	✓	✓	✓	✓
300	R0E	✓	✓	✓	✓		5100	R1E	✓	✓	✓	✓	✓
330	R3E	✓	✓	✓	✓		6800	R8E	✓	✓	✓	✓	✓
390	R9E	✓	✓	✓	✓		7500	R5E	✓	✓	✓	✓	✓
430	R3E	✓	✓	✓	✓		8200	R2E	✓	✓	✓	✓	✓
470	R7E	✓	✓	✓	✓		10000	R0E	✓	✓	✓	✓	✓
560	R6E	✓	✓	✓	✓		27000	R7E	✓	✓	✓	✓	✓
680	R8E	✓	✓	✓	✓		47000	R7E	✓	✓	✓	✓	✓
750	R5E	✓	✓	✓	✓		51000	R1E	✓	✓	✓	✓	✓
820	R2E	✓	✓	✓	✓		75000	R5E	✓	✓	✓	✓	✓

Mouser Electronics

Authorized Distributor

Click to View Pricing, Inventory, Delivery & Lifecycle Information:

Ohmite:

[TWW5J47RE](#) [TWW10J1R5E](#) [TWM3J270E](#) [TWW10J20RE](#) [TWW10J200E](#) [TWW10JR30E](#) [TWW10JR33E](#)
[TWW10JR39E](#) [TWW5J43RE](#) [TWM5J8K2E](#) [TWW5J4R3E](#) [TWW5J4R7E](#) [TWW10JR68E](#) [TWM5J100E](#) [TWW3J8R2E](#)
[TWM5J10KE](#) [TWM3J300E](#) [TWW10JR20E](#) [TWW10JR27E](#) [TWM10J1K0E](#) [TWM10J1K5E](#) [TWW10J270E](#)
[TWW3J15RE](#) [TWW10J27RE](#) [TWW10JR43E](#) [TWM3J200E](#) [TWM3J560E](#) [TWM3J56RE](#) [TWW5J7R5E](#)
[TWW10JR82E](#) [TWM10J2K7E](#) [TWM10J2K0E](#) [TWW10J150E](#) [TWW10J15RE](#) [TWW3J4R7E](#) [TWW3J4R3E](#)
[TWM3J8K2E](#) [TWM5J430E](#) [TWW5JR82E](#) [TWM3J150E](#) [TWM5J150E](#) [TWW3J10RE](#) [TWW10JR75E](#) [TWM3J2K0E](#)
[TWM3J2K7E](#) [TWW10J2R7E](#) [TWW10JR10E](#) [TWW3J1R5E](#) [TWW10J2R0E](#) [TWM3J5K6E](#) [TWW3J1R0E](#)
[TWW10JR15E](#) [TWM5J1K0E](#) [TWM5J1K5E](#) [TWM3J390E](#) [TWW10J1R0E](#) [TWW10JR56E](#) [TWM3J3K0E](#) [TWM3J3K3E](#)
[TWM5J82RE](#) [TWM3J3K9E](#) [TWM5J820E](#) [TWM10J10KE](#) [TWW10J10RE](#) [TWW10J100E](#) [TWM3J330E](#)
[TWW10J47RE](#) [TWW10J390E](#) [TWW10J470E](#) [TWW10J39RE](#) [TWW10J8R2E](#) [TWW10J820E](#) [TWM5J7K5E](#)
[TWW10J82RE](#) [TWW5JR39E](#) [TWW5JR33E](#) [TWW5J20RE](#) [TWW5JR30E](#) [TWW10J30RE](#) [TWW10J300E](#)
[TWW5JR20E](#) [TWW5JR27E](#) [TWM3J1K0E](#) [TWM3J1K5E](#) [TWW10J4R7E](#) [TWW10J4R3E](#) [TWW5JR68E](#)
[TWM10J8K2E](#) [TWM5J68RE](#) [TWM5J680E](#) [TWW5JR43E](#) [TWW5JR47E](#) [TWW10J3R0E](#) [TWW10J3R3E](#)
[TWW10J3R9E](#) [TWW5J27RE](#) [TWM3J820E](#) [TWM3J82RE](#) [TWW10J560E](#) [TWW5J39RE](#)