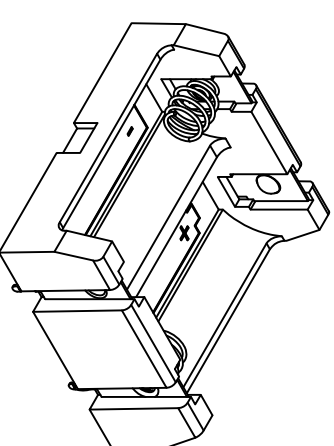
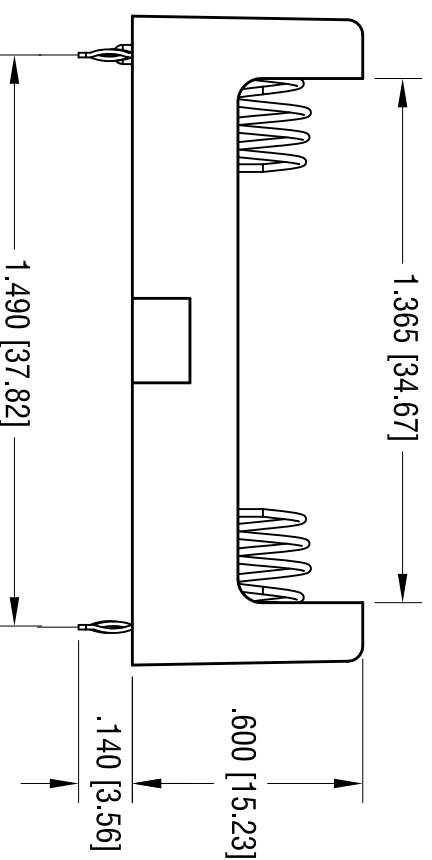
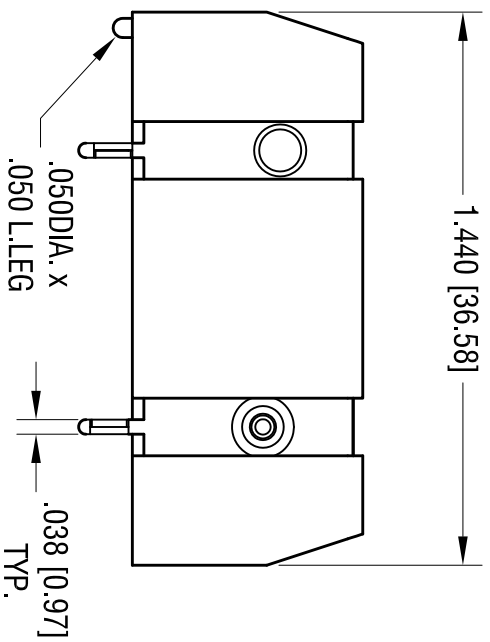
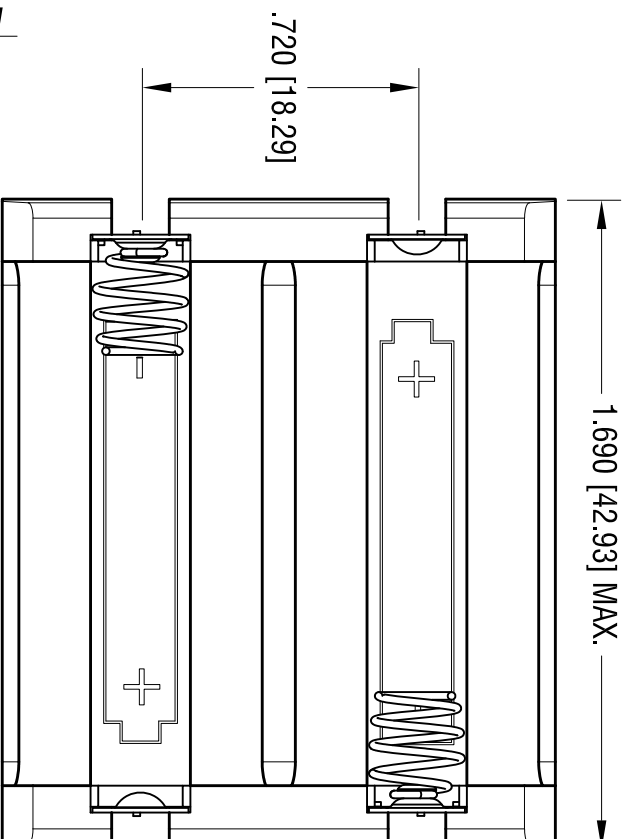
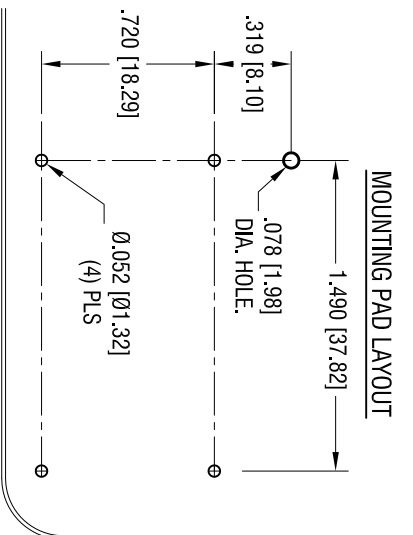


DATE

DESCRIPTION

REV.

MOUNTING PAD LAYOUT



ACTUAL SIZE

KEYSTONE ELECTRONICS CORP.

www.keystone.com • ASTORIA, N.Y. 11105-2017 • Tel (718) 956-8900

PART NAME

THM BATTERY HOLDER, (2) CR123A

MATERIAL

AS NOTED

FINISH

AS NOTED

DRN BY NT DATE 12.31.14

App'D LN SCALE 2X

- NOTE:
1. BASE:
MATL: HEAT RESISTANCE NYLON (UL94V-0)
STANYL 46 OR EQUIVALENT
2. CONTACT POSITIVE :
MATL: .012 [0.30] THK STAINLESS STEEL
FINISH: NICKEL PLATE

2. CONTACT NEGATIVE :
BASE MATL: .012 [0.30] THK STAINLESS STEEL
FINISH: NICKEL PLATE
- SPRING: .020 DIA. MUSIC WIRE, NICKEL PLATE
SPRING EYELETED TO BASE

THIS DOCUMENT IS THE PROPERTY OF
KEYSTONE ELECTRONICS CORP. AND
SHALL NOT BE REPRODUCED, DISTRIBUTED
OR USED AS A BASIS FOR MANUFACTURE
WITHOUT PRIOR WRITTEN PERMISSION
FROM KEYSTONE ELECTRONICS CORP.

TOLERANCES	INCH	[MM]	CODE	DWG NO.
DECIMAL	± .010	[±	C	1055
ANGULAR	± 1°]		

Mouser Electronics

Authorized Distributor

Click to View Pricing, Inventory, Delivery & Lifecycle Information:

[Keystone Electronics:](#)

[1055](#)