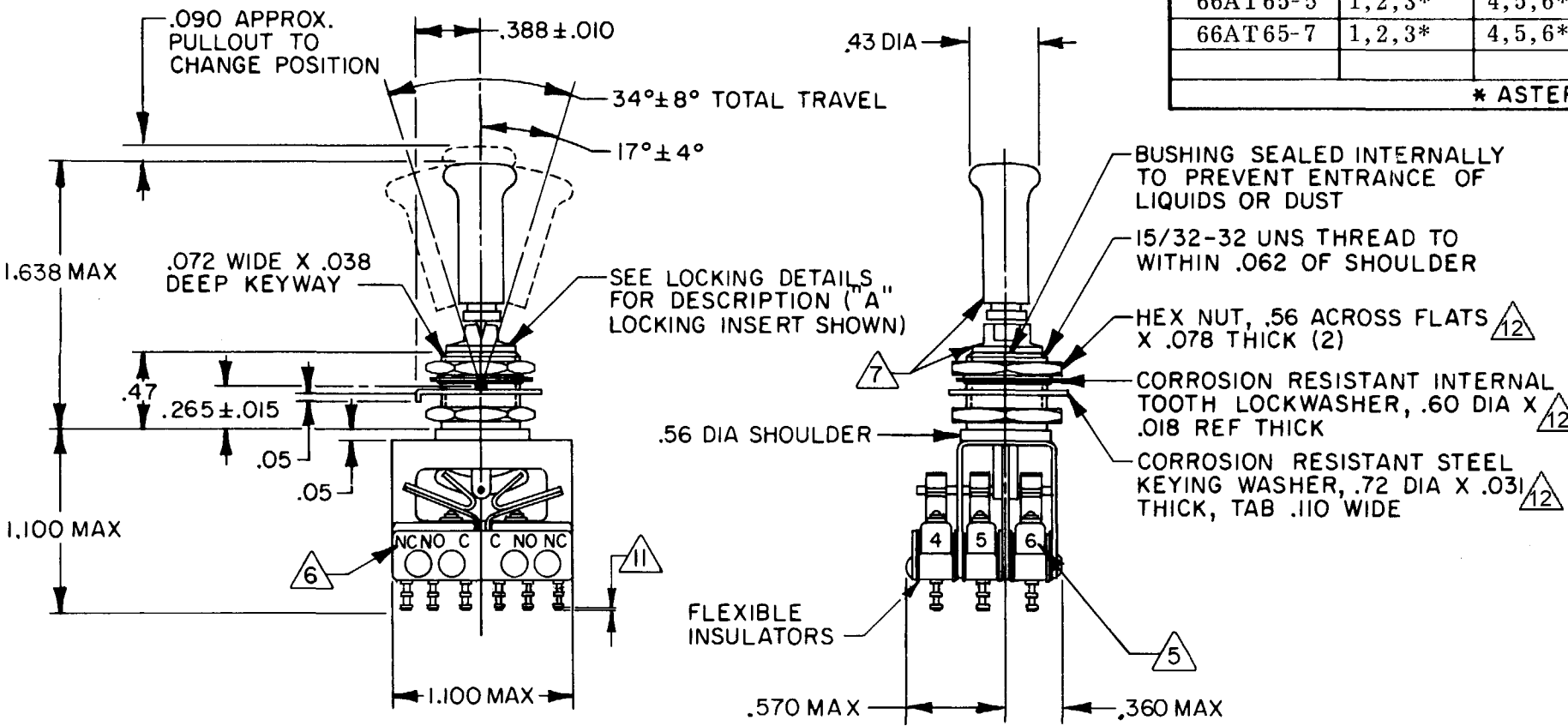


MICRO SWITCHFREEPORT, ILLINOIS, U.S.A.
A DIVISION OF HONEYWELL

FED. MFG. CODE 91829

**ASSEMBLY -
TOGGLE SWITCH**CATALOG LISTING
66AT65 SERIES**CHART 2**

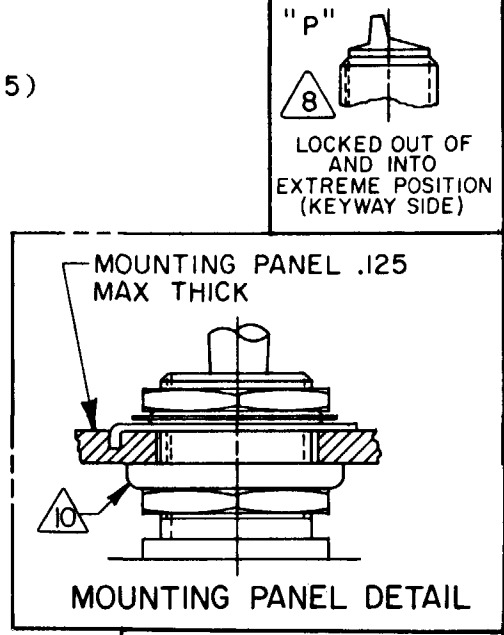
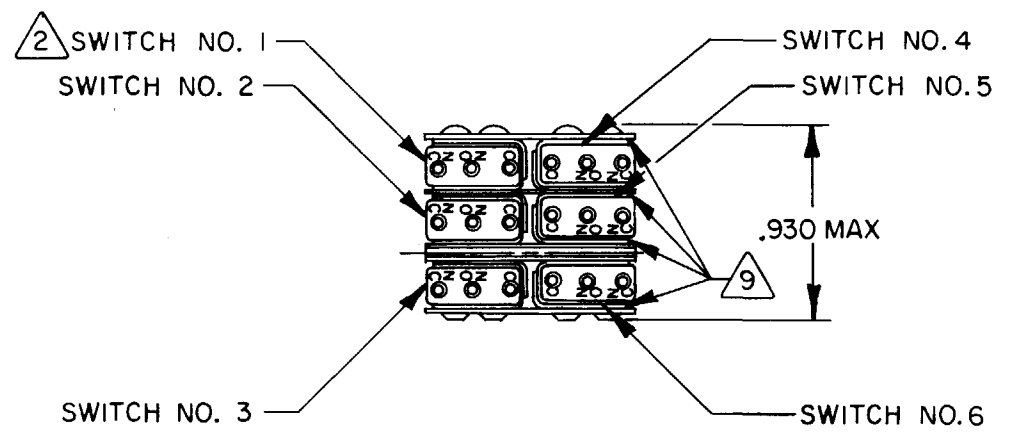
CATALOG LISTING ⁸	KEYWAY POSITION		CENTER POSITION		OPPOSITE KEYWAY POSITION		RECOMMENDED LOCKING COMBINATIONS
	C-NC	C-NO	C-NO	C-NC	C-NC	C-NO	
66AT65-1	1,2,3	4,5,6	NONE	ALL	4,5,6	1,2,3	A,B,D,E,F,G,H,J,K,L,M,NP
66AT65-3	1,2,3	4,5,6	NONE	NONE	4,5,6	1,2,3	D,F,G
66AT65-5	1,2,3*	4,5,6*	NONE	ALL	4,5,6	1,2,3	E,F,K,L,M,N
66AT65-7	1,2,3*	4,5,6*	NONE	ALL	4,5,6*	1,2,3*	E,L,N

*** ASTERISK DENOTES MOMENTARY POSITION**

"A"	"B"	"D"	"E"
LOCKED IN THREE POSITIONS	LOCKED IN CENTER AND EXTREME POSITION (KEYWAY SIDE)	LOCKED OUT OF CENTER POSITION	LOCKED IN CENTER POSITION
"F"	"G"	"H"	"J"
LOCKED IN EXTREME POSITION (OPPOSITE KEYWAY)	LOCKED IN EXTREME POSITION (KEYWAY SIDE)	LOCKED OUT OF CENTER AND EXTREME POSITION (KEYWAY SIDE)	LOCKED OUT OF CENTER AND EXTREME POSITION (OPPOSITE KEYWAY)
"K"	"L"	"M"	"N"
LOCKED IN CENTER AND EXTREME POSITION (OPPOSITE KEYWAY)	LOCKED OUT OF EXTREME POSITION (KEYWAY SIDE)	LOCKED OUT OF AND INTO EXTREME POSITION (OPPOSITE KEYWAY)	LOCKED OUT OF EXTREME POSITION (OPPOSITE KEYWAY)

NOTES

- UNIT INCLUDES 21SX TYPE (SILVER CONTACT) BASIC SWITCH(5) AND 23SX TYPE (GOLD CONTACT) BASIC SWITCH(1)
- 23SX TYPE (GOLD CONTACT) BASIC SWITCH LOCATION
- SWITCHES DO NOT NECESSARILY OPERATE SIMULTANEOUSLY
- TERMINALS ARE SOLDER PLATED FOR SOLDERING
- SWITCH NUMBERS STAMPED ON END OF BASIC SWITCHES
- TERMINAL DESIGNATION STAMPED ON BOTH SIDES OF UNIT
- DULL FINISH ON LEVER AND BUSHING
- SUFFIX LETTER MUST BE ADDED FOR DESIRED TYPE TOGGLE LOCKING (SEE CHART FOR RECOMMENDED LOCKING COMBINATIONS)
- WHITE EPOXY APPLIED AT THESE POINTS ON BOTH SIDES
- PANEL SEAL NOT FURNISHED
- .040 MAX SOLDER TIP PERMISSIBLE ON THE END OF THE TERMINALS
- HARDWARE FURNISHED ASSEMBLED WITH SWITCH OR IN PACKET PER MIL-PRF-8805
- REPLACEMENT MOUNTING HARDWARE PACKET 15PA313-AT



THIS DRAWING COVERS A PROPRIETARY ITEM AND IS THE PROPERTY OF MICRO SWITCH. A DIVISION OF HONEYWELL. THIS DRAWING IS NOT TO BE COPIED OR USED WITHOUT THE APPROVAL OF MICRO SWITCH.

CHARACTERISTICS	ELECTRICAL DATA	ELECTRICAL RATINGS		
		LOAD	SEA LEVEL	50,000 FT
PULLOUT FORCE ---- 3 LB MIN - 5 LB MAX	CONTACT ARRANGEMENT SPDT (6)		28 Vdc	115 Vac, 60 Hz
	GOLD CONTACT BASIC SWITCH #1		(AMPERES)	(AMPERES)
	1A-125 VAC		28 Vdc	28 Vdc
		RESISTIVE	7	7
		INDUCTIVE	4	2.5

THIRD ANGLE PROJECTION	
SCALE FULL	
DO NOT SCALE PRINT	
TOLERANCES	
APPLY TO DESIGN UNITS. CONVERSIONS ARE ONLY FOR REFERENCE. UNLESS NOTED, TOLERANCES ARE ±	
DIM.	TOL.
mm	mm/in
NO PLACES	X 1/04
ONE PLACE	X,X 0.4/018
TWO PLACES	X,XX 0.15/006
THREE PLACES	X,XXX 0.38/015
ANGLES	X,XXX 0.13/005
SI METRIC <input type="checkbox"/>	
US CUSTOMARY <input checked="" type="checkbox"/>	
DESIGN UNITS	
WEIGHT .09 LB EST	

 MICRO SWITCH
 DRAWING NUMBER: M
 ISSUE: 6
 RELEASE NO.: PR-10953
 REVISIONS:
 A CO 52043 17 SEP 82
 B CO-53415 24 JUN 83
 C CO53676
 D CO72702
 E 206093
 T R F 5 MAR 82
 DRAWN: RASTER
 CHECK: T R F 5 MAR 82

Mouser Electronics

Authorized Distributor

Click to View Pricing, Inventory, Delivery & Lifecycle Information:

[Honeywell:](#)

[66AT65-5K](#)