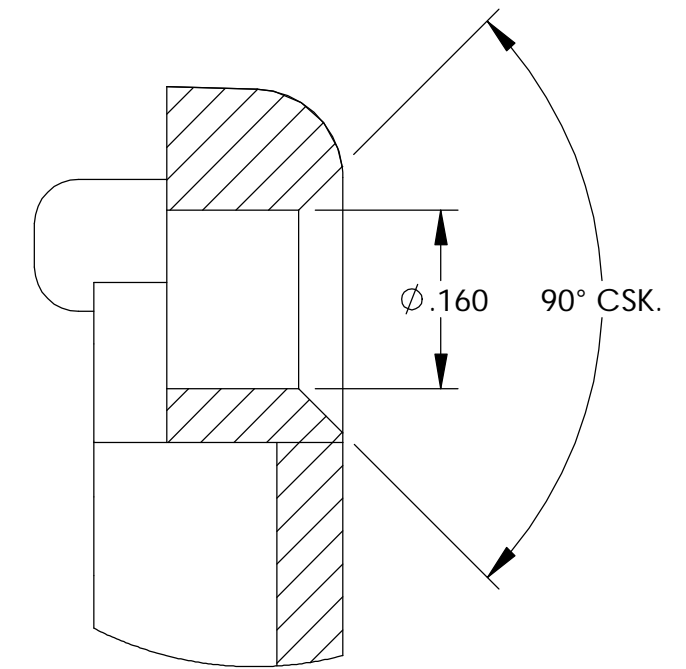
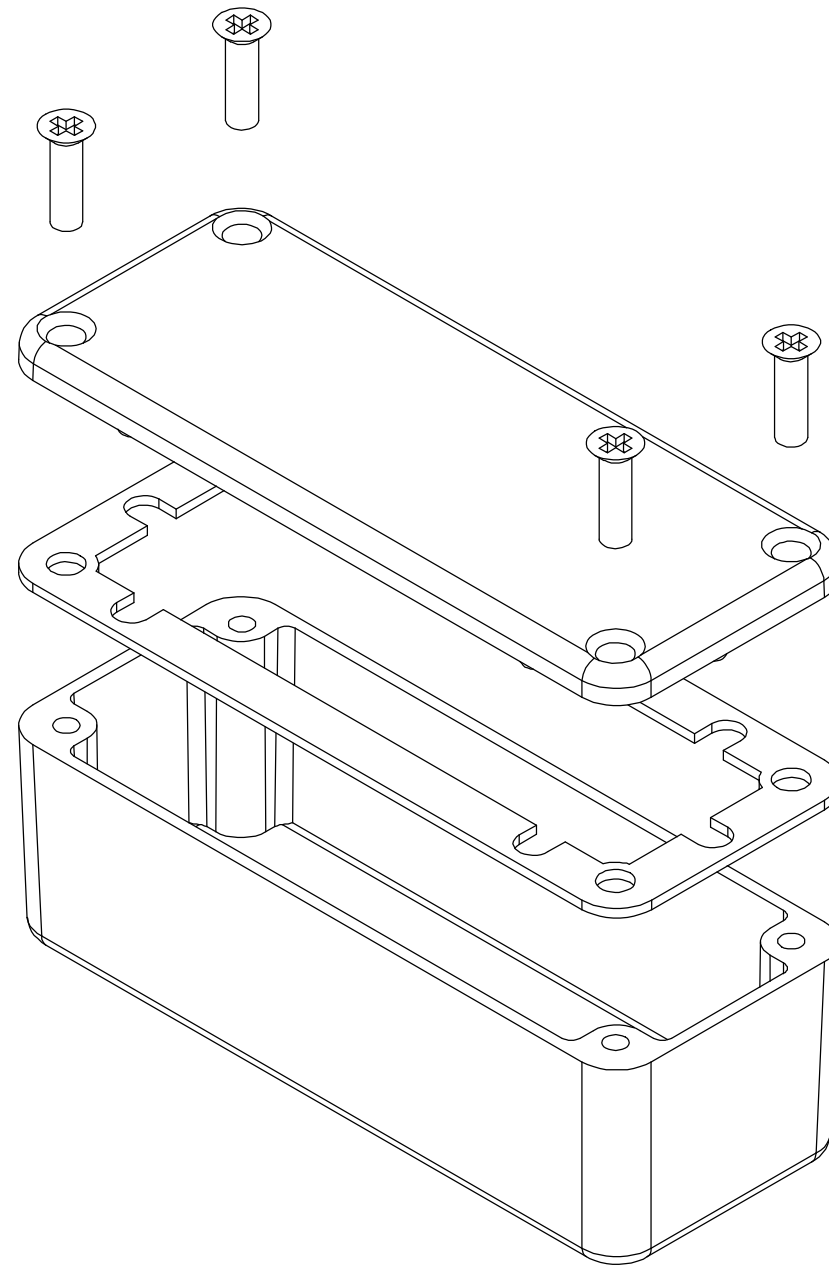


THE INFORMATION CONTAINED IN THIS DRAWING IS THE SOLE PROPERTY OF BUD INDUSTRIES INC. ANY REPRODUCTION IN PART OR WHOLE WITHOUT THE WRITTEN PERMISSION OF BUD INDUSTRIES INC. IS PROHIBITED.

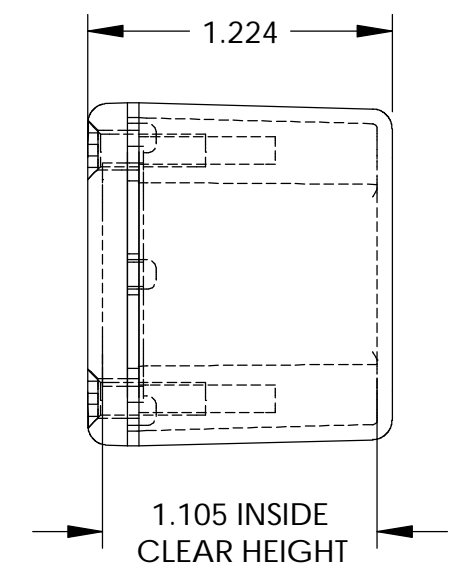
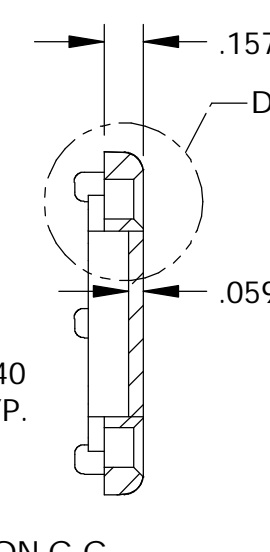
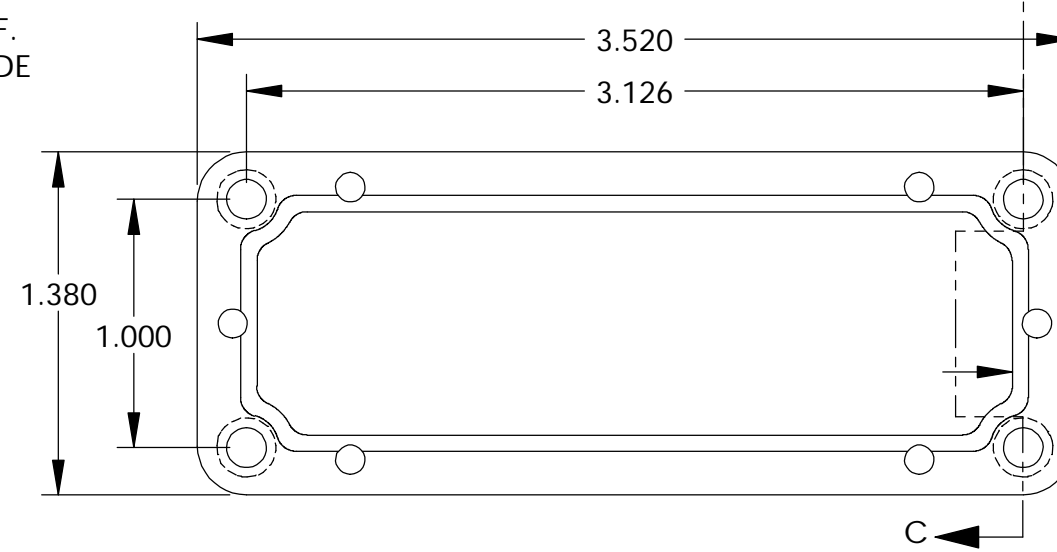
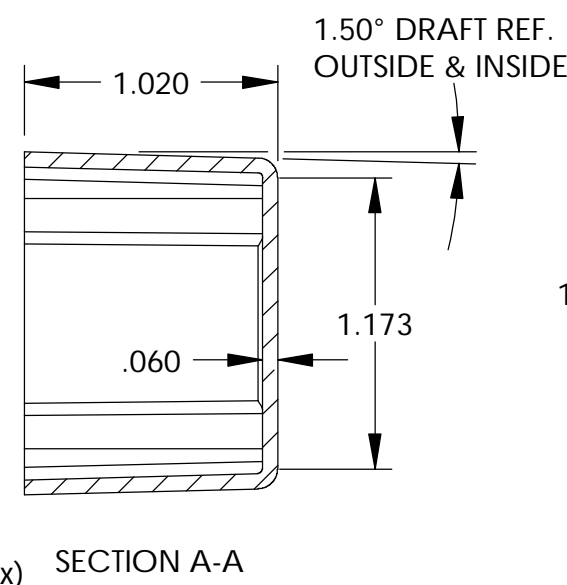
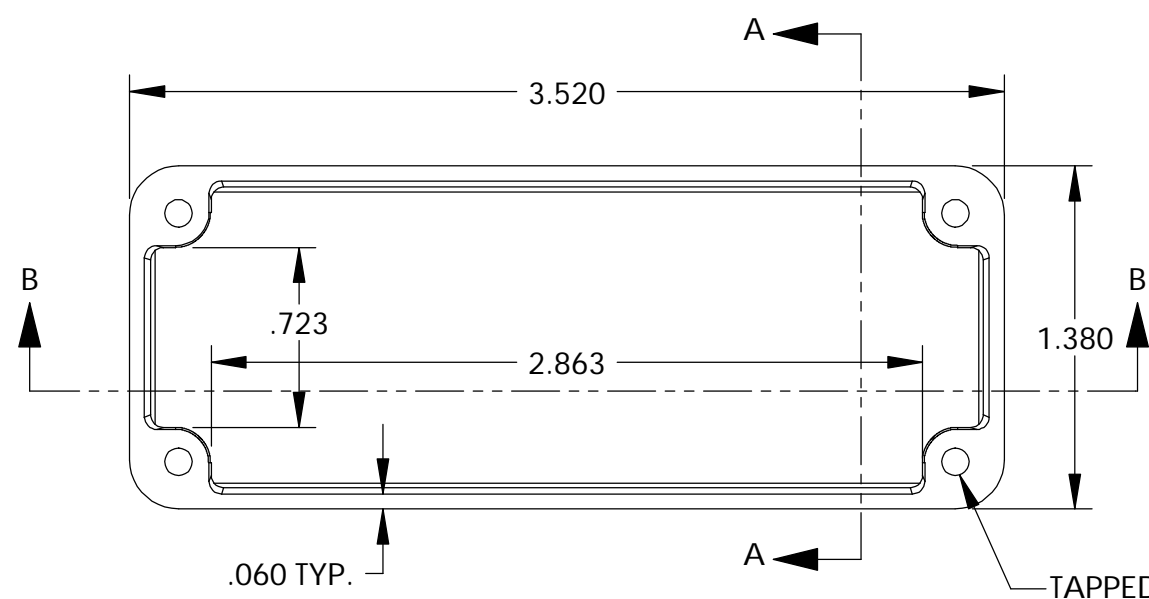
DWG. NO.	CN-5702
ISSUE	REVISIONS

MATERIAL - ALUMINUM ALLOY #ADC-12  
 FINISH - NATURAL (CONTACT BUD FACTORY FOR ALTERNATE FINISHES)  
 GASKET - RATED IP65 NEOPRENE, SELF-ADHESIVE, 3mm THICK, COLOR BLACK  
 SCREWS - STAINLESS STEEL, M3.5 x 12mm LG., CSK. HEAD, SELF-THREADING

ALL HOLE DIAMETERS HAVE  $\pm .005$  TOLERANCE.  
 ALL OTHER DIMENSIONS HAVE  $\pm .015$  TOLERANCE.  
 ENCLOSURES ARE SHIPPED UNASSEMBLED WITH ALL ITEMS SHOWN.

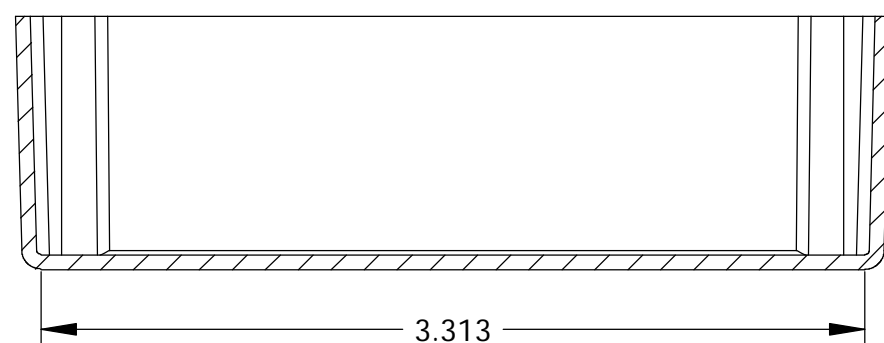


DETAIL D  
SCALE 6 : 1



BODY

COVER



SECTION B-B

PARTS LIST			
+/- .005 BETWEEN HOLE CENTERS +/- .015 FROM SHEARED EDGE +/- .032 FROM A BENT SURFACE +/- .062 BETWEEN ASSEMBLED SURFACES UNLESS OTHERWISE SPECIFIED	CAD GENERATED DRAWING. DO NOT MANUALLY UPDATE	<b>BUD INDUSTRIES INC.</b>	
MATERIAL <b>AS NOTED</b>	APPROVALS DRAWN: <b>DAB</b> CHECKED:	DATE <b>3-31-06</b>	<b>DIE CAST ALUMINUM ENCLOSURE</b>
FINISH <b>AS NOTED</b>	APPROVED:	DWG. NO. <b>CN-5702</b>	REV.
QTY.	USED ON	DO NOT SCALE DRAWING	SCALE: <b>C</b> CAD FILE:

# Mouser Electronics

Authorized Distributor

Click to View Pricing, Inventory, Delivery & Lifecycle Information:

[Bud Industries:](#)

[CN-5702](#)