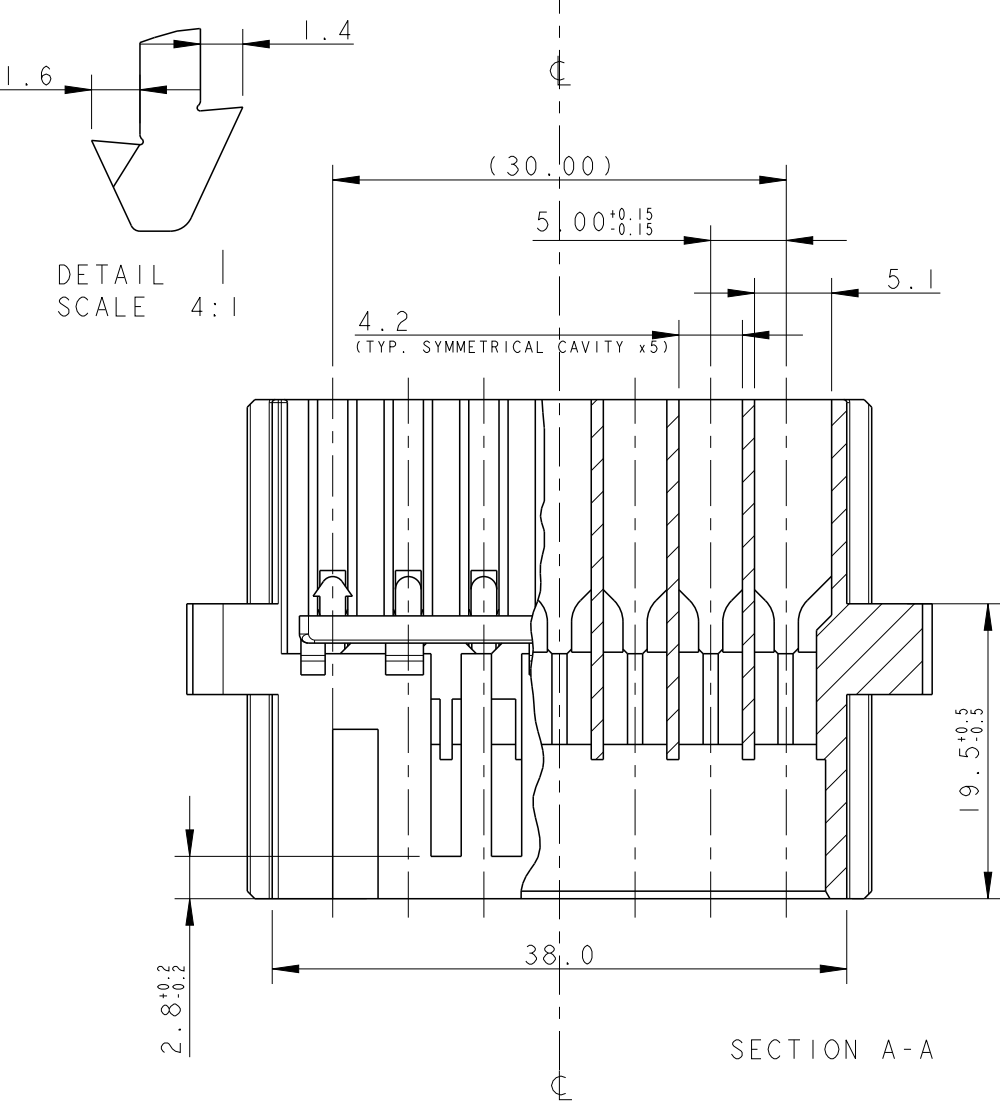
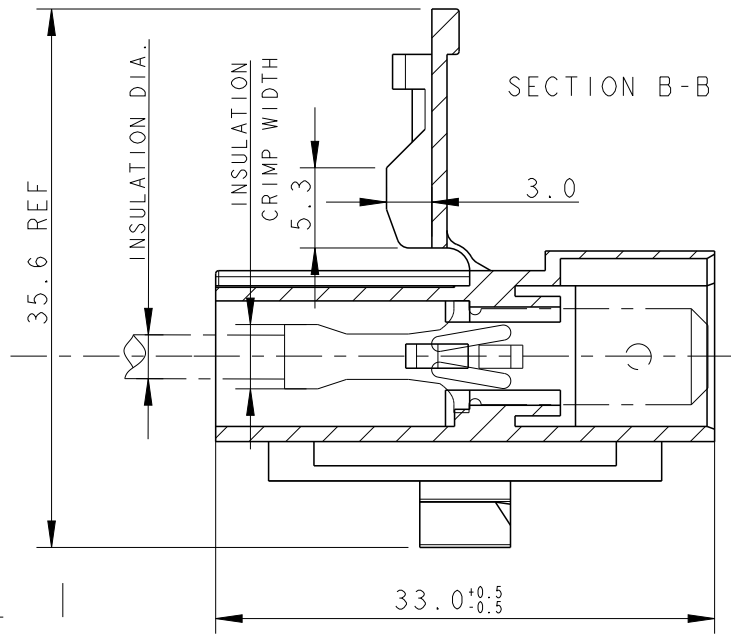
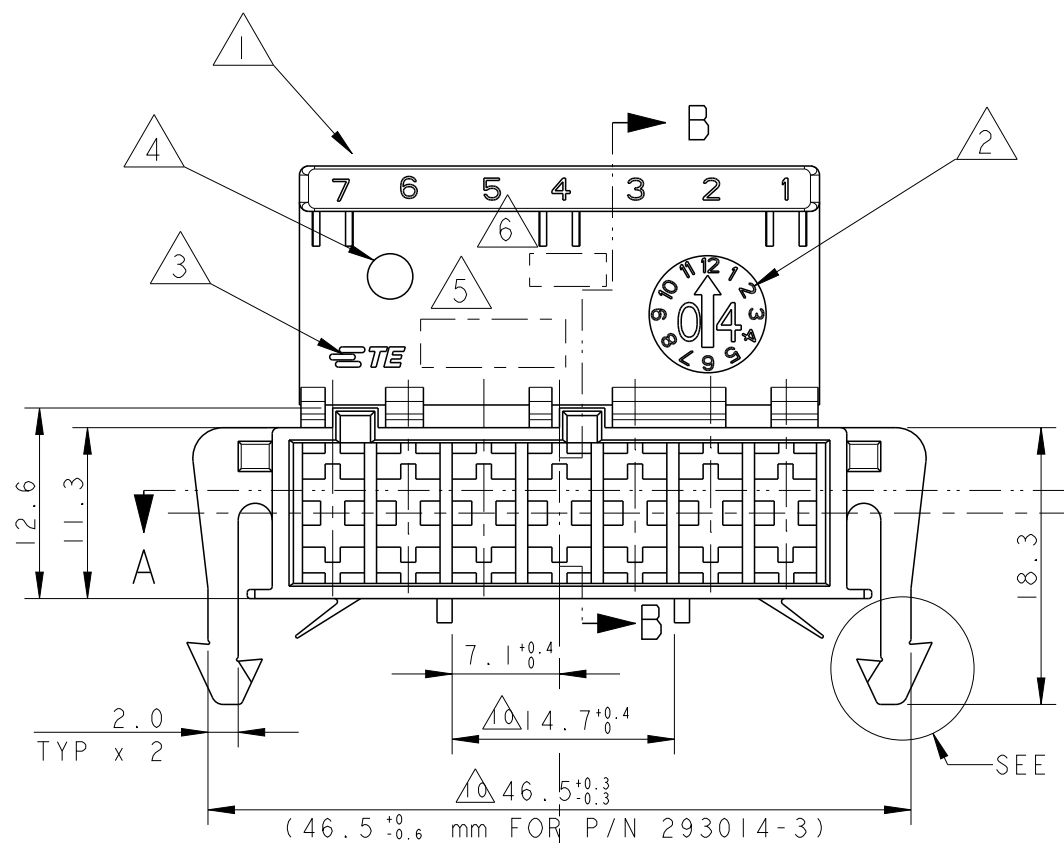


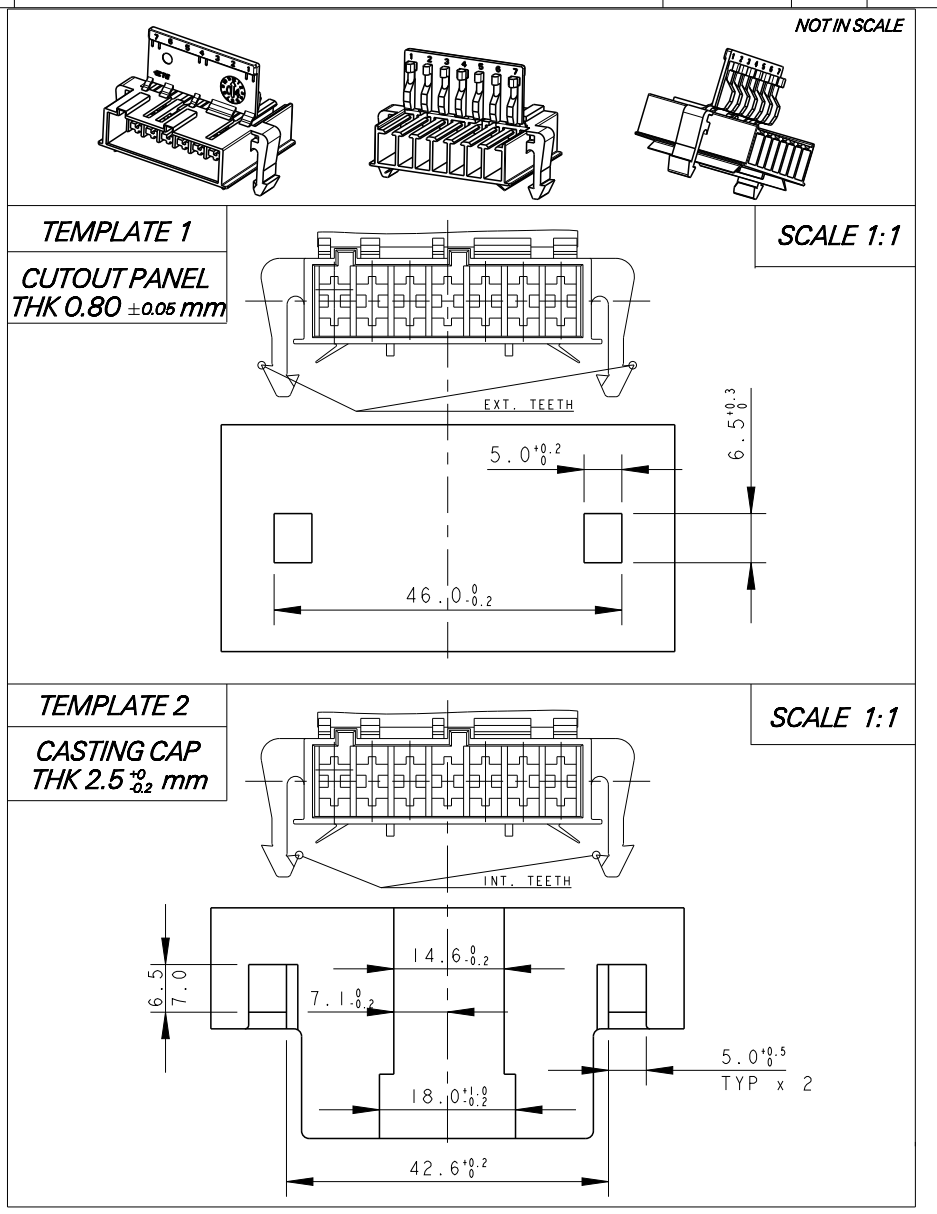
THIS DRAWING IS UNPUBLISHED. RELEASED FOR PUBLICATION 2004
 © COPYRIGHT 2004 BY - ALL RIGHTS RESERVED.

LOC	DIST	REVISIONS			
P	LTR	DESCRIPTION	DATE	DWN	APVD
1	-				
	A9	ECR-12-022176	31DEC2012	C. J	R. P
	A10	ECR-15-009863	30JUN2015	KD	RR
	A11	ECR-15-012957	04SEP2015	KD	RR
	A12	ECR-16-013321	27SEP2016	KD	RR



NOTES:

- ① CIRCUIT IDENTIFICATION NUMBERS 1 TO 7, BOTH SIDES
- ② DATE CODE
- ③ TE TRADEMARK
- ④ MOULD CAVITY IDENTIFICATION
- ⑤ TE - P/N
- ⑥ RAW MATERIAL CODE
- 7) CONNECTOR HOUSING SUITABLE FOR MATING WITH:
 (PROPERLY CODED WITH RELEVANT APPLICATION MACHINE)
 - AMP MONOSHAP Mark II TAB CONNECTOR, P/N X-284477-2
 - AMP MONOSHAP Mark I TAB CONNECTOR, P/N I-293004-7
- 8) CAVITIES SUITABLE FOR .250" SERIES FAST-IN-ON TAB CONTACT
 ACCORDING TO NORM "DIN 46 343"
 MAX INS. DIA.: 2.8 mm; MAX INS. CRIMP WIDTH: 3.3 mm
- ⑨ PRELIMINARY - NOT RELEASED FOR PRODUCTION
- ⑩ ONLY FOR 293014-2, 14.7 +0.4/-0.1 (LOCATION C4)
 46.5 +0.3/-0.4 (LOCATION C4)
- ⑪ ONLY FOR 293014-2, CONNECTOR UN-MATING FORCE WITH
 MATING PART MONO-SHAPE MKI IS MIN. 30N



REV	TE P/N	MATERIAL
A	293014-3	PA66/6 UNFILLED, UL94 V0
A	293014-2	PA66 UNFILLED, UL94-V0 GWT, NATURAL
A	293014-1	PA6 UNFILLED, NATURAL COLOR ACCORDING TO IEC 60335-1 NORM

THIS DRAWING IS A CONTROLLED DOCUMENT.

DIMENSIONS: mm	TOLERANCES UNLESS OTHERWISE SPECIFIED: 0 PLC ±. 1 PLC ±0.3 2 PLC ±. 3 PLC ±. 4 PLC ±. ANGLES ±° FINISH -	DWN U. AIME 20FEB2004 CHK G. TURCO 20FEB2004 APVD 20FEB2004 PRODUCT SPEC 108-20247 APPLICATION SPEC - WEIGHT -	NAME 7 POSITION TAB HOUSING FOR MOTOR MOUNTING RAST 5
MATERIAL SEE TABLE		Customer Drawing	SIZE A300779 CAGE CODE C-293014 DRAWING NO. RESTRICTED TO -

SCALE 2:1 SHEET 1 OF 1 REV A12