

Rotary Potentiometer

P120 Series



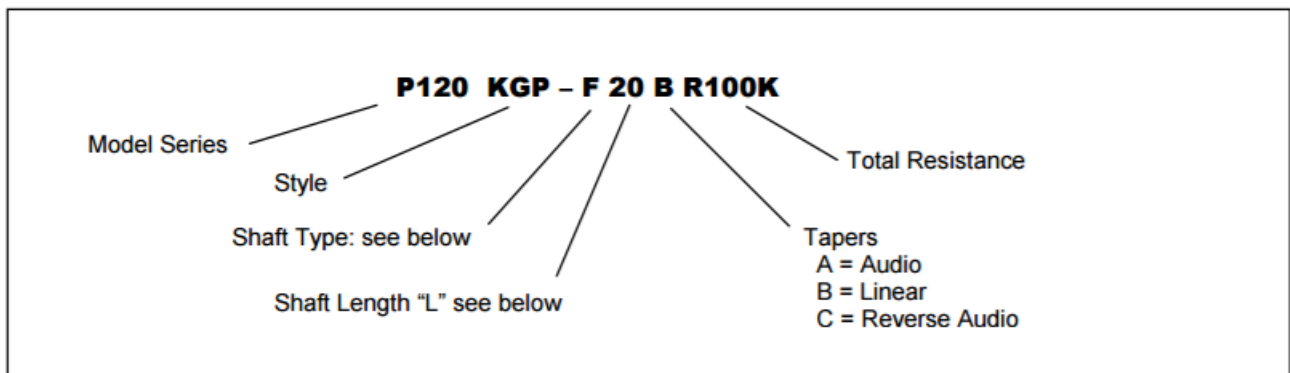
Features:

- 12 mm
- Conductive plastic element
- Single/dual unit
- 100,000 cycle life
- Insulated shaft
- RoHS compliant



Model Styles

| | |
|------------------------------------|---------|
| Side Adjust, PCB pins, Single unit | P120K |
| Top Adjust, PCB pins, Single unit | P120PK |
| Top Adjust, PCB pins, Dual unit | P120KGP |
| Side Adjust, PCB pins, Dual unit | P120KGE |



General Note

TT Electronics reserves the right to make changes in product specification without notice or liability. All information is subject to TT Electronics' own data and is considered accurate at time of going to print.

TT Electronics | BI Technologies
4200 Bonita Place, Fullerton, CA 92835-1053 | Ph: +1 714 447 2300
www.ttelectronics.com | sensors@ttelectronics.com

Rotary Potentiometer

P120 Series



Electrical Specifications

| | |
|-----------------------------------|---------------------|
| Resistance Range, Ohms | 1K- 1M |
| Standard Resistance Tolerance | ± 20% |
| Residual Resistance | 20 ohms max. |
| Input Voltage, maximum | 50 Vac max. |
| Power rating, Watts | 0.05w |
| Dielectric Strength | 300Vac, 1 minute |
| Insulation Resistance, Minimum | 100M ohms at 250Vdc |
| Sliding Noise | 100mV max. |
| Gang Error (Multi-ganged) | -40dB – 0dB, ±3dB |
| Actual Electrical Travel, Nominal | 260° |

Mechanical Specifications

| | |
|-------------------------|-------------------|
| Total Mechanical Travel | 300°± 10° |
| Static Stop Strength | 50 oz-in |
| Rotational Torque | 0.5 to 1.25 oz-in |

Environmental Specifications

| | |
|-----------------------------|----------------|
| Operating Temperature Range | -40°C to +85°C |
| Rotational Life | 100,000 cycles |

General Note

TT Electronics reserves the right to make changes in product specification without notice or liability. All information is subject to TT Electronics' own data and is considered accurate at time of going to print.

TT Electronics | BI Technologies
4200 Bonita Place, Fullerton, CA 92835-1053 | Ph: +1 714 447 2300
www.ttelectronics.com | sensors@ttelectronics.com

Shaft Types

| | F-TYPE | | | | | | | | Y-TYPE | | | | | | | | T-TYPE | | | | | |
|-------------|--------|----|----|----|----|----|----|----|--------|----|----|----|----|----|----|----|--------|----|----|----|----|--|
| | | | | | | | | | | | | | | | | | | | | | | |
| TOP ADJUST | L | 15 | 17 | 20 | 25 | 30 | 35 | 40 | L | 15 | 20 | 25 | 30 | 35 | 40 | L | 15 | 20 | 25 | 30 | 35 | |
| | T | 5 | 7 | 7 | 12 | 12 | 12 | 12 | T | 5 | 8 | 12 | 12 | 12 | 12 | T | 5 | 7 | 7 | 12 | 12 | |
| SIDE ADJUST | L | 10 | 15 | 20 | 25 | 30 | L | 10 | 15 | 20 | 25 | 30 | L | 10 | 15 | 20 | 25 | 30 | | | | |
| | T | 5 | 8 | 12 | 12 | 12 | T | 5 | 8 | 12 | 12 | 12 | T | 5 | 7 | 7 | 12 | 12 | | | | |

Standard Resistance Values, Ohms

1K 2K 5K 10K 20K 50K 100K 200K 500K 1MEG

CIRCUIT DIAGRAM

Unless otherwise specified



General Note

TT Electronics reserves the right to make changes in product specification without notice or liability. All information is subject to TT Electronics' own data and is considered accurate at time of going to print.

TT Electronics | BI Technologies
 4200 Bonita Place, Fullerton, CA 92835-1053 | Ph: +1 714 447 2300
 www.ttelectronics.com | sensors@ttelectronics.com

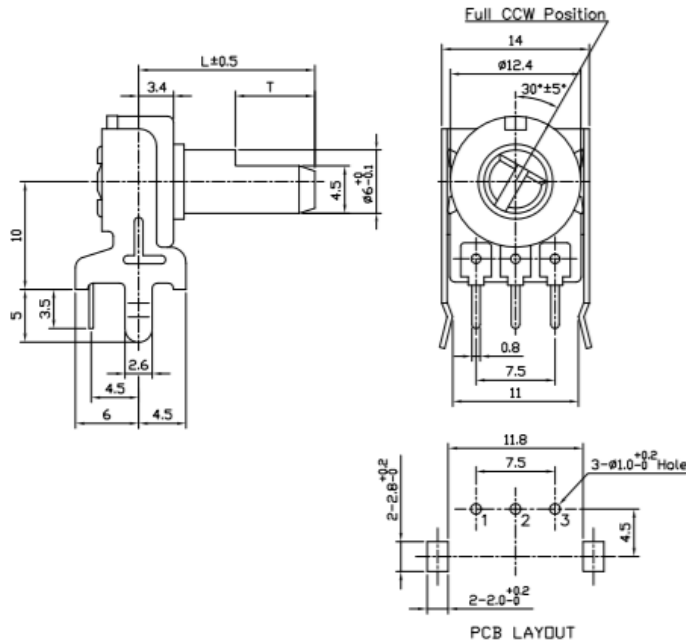
Rotary Potentiometer

P120 Series

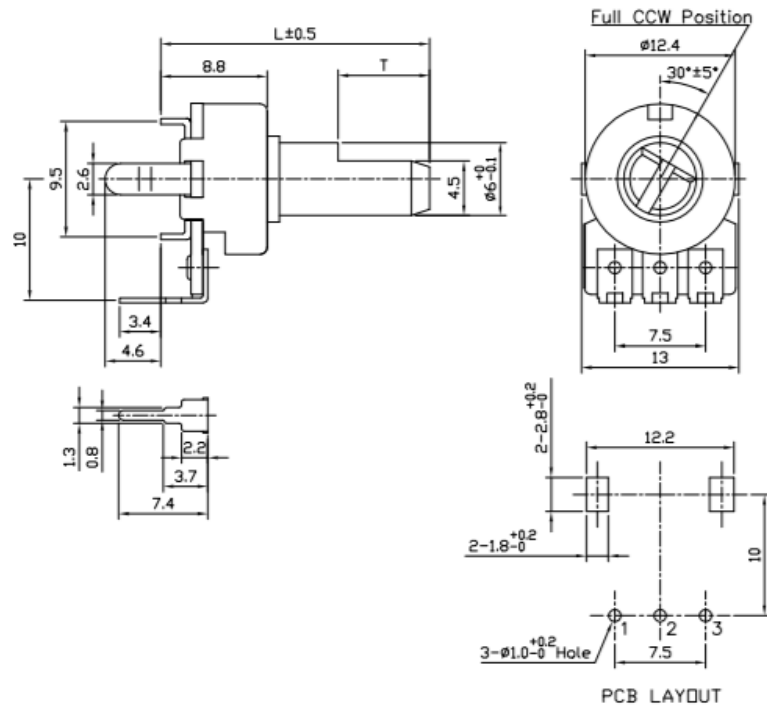


Outline Drawings

Model P120K (Side Adjust, PCB pins, Single unit)



Model P120PK (Top Adjust, PCB pins, Single unit)



General Note

TT Electronics reserves the right to make changes in product specification without notice or liability. All information is subject to TT Electronics' own data and is considered accurate at time of going to print.

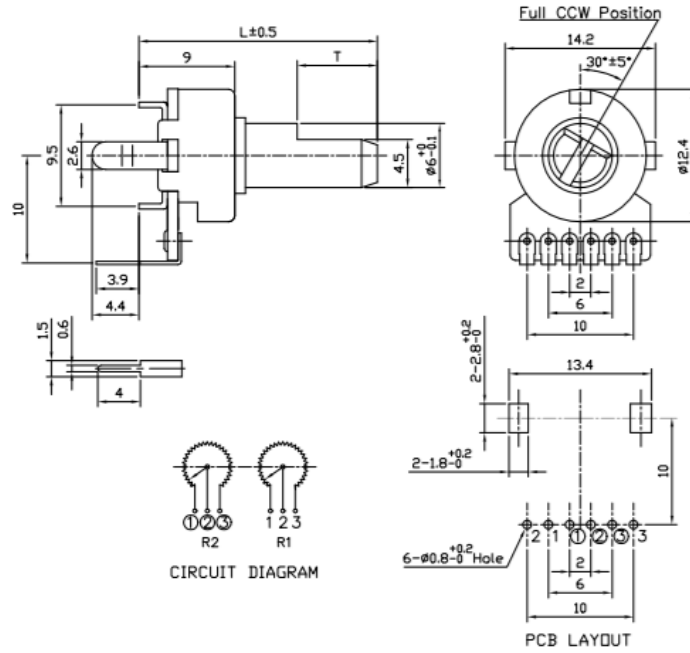
Rotary Potentiometer

P120 Series

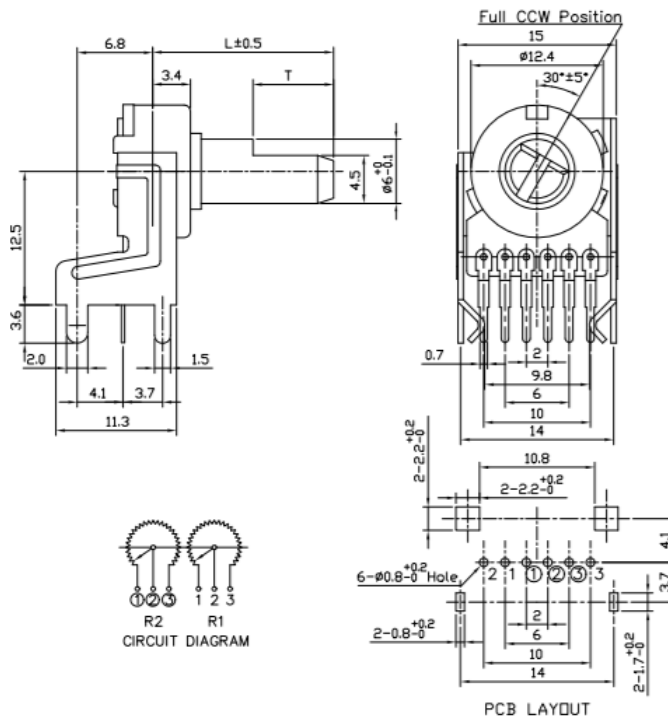


Outline Drawings

Model P120KGP (Top Adjust, PCB pins, Dual unit)



Model P120KGE (Side Adjust, PCB pins, Dual unit)



General Note

TT Electronics reserves the right to make changes in product specification without notice or liability. All information is subject to TT Electronics' own data and is considered accurate at time of going to print.

TT Electronics | BI Technologies
 4200 Bonita Place, Fullerton, CA 92835-1053 | Ph: +1 714 447 2300
 www.ttelectronics.com | sensors@ttelectronics.com

Mouser Electronics

Authorized Distributor

Click to View Pricing, Inventory, Delivery & Lifecycle Information:

TT Electronics:

[P120K-Y20BR50K](#) [P120KGP-Y35BR50K](#) [P120K-Y20AR10K](#) [P120PK-F17BR5K](#) [P120PK-Y20BR20K](#) [P120KGP-T35BR50K](#) [P120KGE-Y30BR50K](#) [P120KGE-Y35BR50K](#) [P120PK-F20BR5K](#) [P120K-F20BR5K](#) [P120KGP-F20BR100K](#) [P120KGP-F15BR10K](#) [P120KGP-F20BR10K](#) [P120K-Y20B100K](#) [P120PK-Y25BR10K](#) [P120KGP-Y15BR100K](#) [P120PK-Y20AR100K](#) [P120K-F20AR100K](#) [P120PK-F20AR2K](#) [P120PK-Y20AR50K](#) [P120KGE-F17AR50K](#) [P120PK-F40BR10K](#) [P120K-Y25AR50K](#) [P120KGP-F15B10K](#) [P120PK-Y20BR50K](#) [P120K-F25BR100K](#) [P120PK-F25BR100K](#) [P120KGE-F15AR50K](#) [P120KGP-Y15AR100K](#) [P120K-Y25BR10K](#) [P120PK-Y20BR100K](#) [P120K-F15AR10K](#) [P120PK-F04BR10K](#) [P120KGE-Y20BR50K](#) [P120KGP-Y15BR500K](#) [P120PK-Y25BR5K](#) [P120KGPT25BR100K](#)