

**PLEASE CHECK WWW.MOLEX.COM FOR LATEST PART INFORMATION**

**Part Number:** [5019390400](#)  
**Status:** **Active**  
**Overview:** [Pico-Clasp Wire-to-Board Connectors](#)  
**Description:** 1.00mm Pitch Pico-Clasp Wire-to-Board Housing, Positive Lock, 4 Circuits

**Documents:**

<a href="#">3D Model</a>	<a href="#">Product Specification PS-501940-001-001 (PDF)</a>
<a href="#">Drawing (PDF)</a>	<a href="#">Product Specification PS-501953-001-001 (PDF)</a>
<a href="#">Product Specification 5019390000-PS-000 (PDF)</a>	<a href="#">Packaging Specification SPK-501939-001-001 (PDF)</a>
<a href="#">Product Specification 5019390001-PS-000 (PDF)</a>	<a href="#">RoHS Certificate of Compliance (PDF)</a>

**Agency Certification**

UL E29179

**General**

Product Family	Crimp Housings
Series	<a href="#">501939</a>
Application	Signal, Wire-to-Board
Overview	<a href="#">Pico-Clasp Wire-to-Board Connectors</a>
Product Name	Pico-Clasp
UPC	822350286954

**Physical**

Circuits (maximum)	4
Color - Resin	White
Gender	Receptacle
Glow-Wire Capable	No
Lock to Mating Part	Yes
Material - Resin	Nylon
Net Weight	54.900/mg
Number of Rows	1
Packaging Type	Bag
Panel Mount	No
Pitch - Mating Interface	1.00mm
Polarized to Mating Part	Yes
Stackable	No
Temperature Range - Operating	-40°C to +105°C

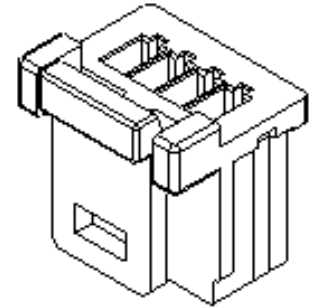
**Electrical**

Current - Maximum per Contact 1.0A

**Material Info**

**Reference - Drawing Numbers**

Packaging Specification	SPK-501939-001-001
Product Specification	5019390000-PS-000, 5019390001-PS-000, PS-501940-001-001, PS-501953-001-001
Sales Drawing	SD-501939-001



*Series image - Reference only*

**EU ELV**

**Not Relevant**

**EU RoHS**

**Compliant**

**REACH SVHC**

Not Contained Per  
-ED/01/2018 (15  
January 2018)

**Halogen-Free**

**Status**

**Low-Halogen**

**Need more information on product environmental compliance?**

Email [productcompliance@molex.com](mailto:productcompliance@molex.com)  
Please visit the [Contact Us](#) section for any non-product compliance questions.

China ROHS

ELV

RoHS Phthalates

Green Image

Not Relevant

Not Contained

**Search Parts in this Series**

[501939](#) Series

**Mates With**

[501940](#) , [203560](#) , [203561](#) Vertical PCB Header  
501953 , 203562 , 203563  
Right Angle PCB Header

**Use With**

[501334](#) Tin Crimp Terminal  
501193 Gold Crimp Terminal

# Mouser Electronics

Authorized Distributor

Click to View Pricing, Inventory, Delivery & Lifecycle Information:

[Molex:](#)

[501939-0400](#)