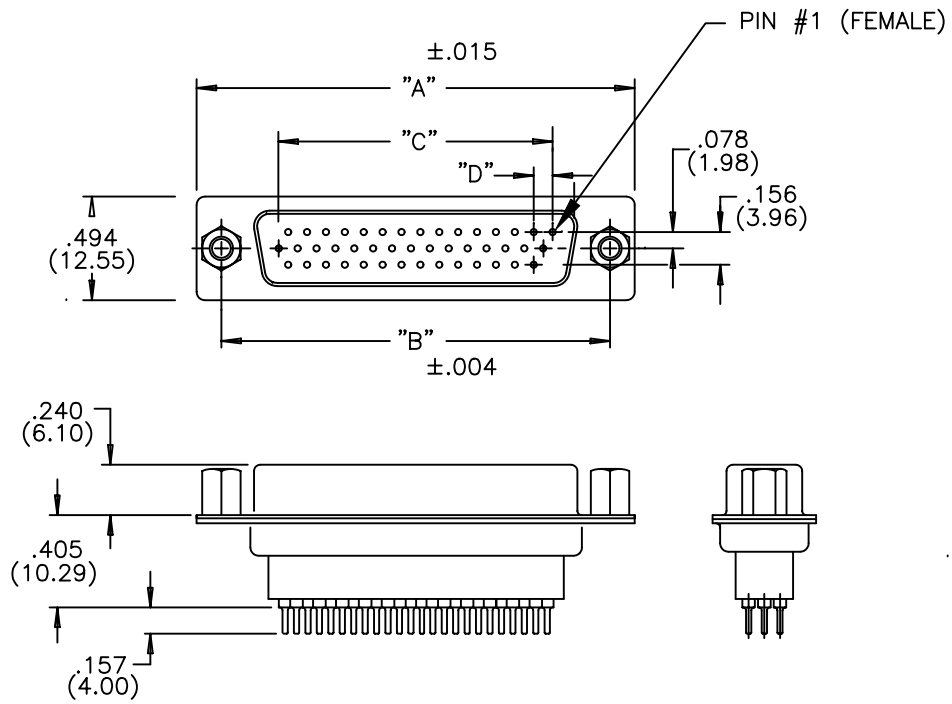


DESCRIPTION: HIGH DENSITY VERTICAL HIGH PROFILE STAMPED



MATERIALS:

INSULATOR: PBT, UL94V-0, 230°C PROCESS TEMP.
 CHEMICAL RESISTANCE, COLOR BLACK

SHELL: STEEL, NICKEL PLATED

CONTACT: FEMALE: PHOSPHOR BRONZE
 GOLD FLASH IN MATING AREA
 TIN PLATING ON TAIL ENDS

RoHS COMPLIANT

ELECTRICAL:

CURRENT RATING: 2 AMPERES

DIELECTRIC WITHSTANDING VOLTAGE:
 1000VAC rms AT SEA LEVEL

INSULATION RESISTANCE: 5000 MEGOHMS MIN.

CONTACT RESISTANCE: 10 MILLIOHMS MAX.

WORKING TEMPERATURE: -55° TO +125° C

198-XXX-213LXX1

SERIES _____

NUMBER OF CONTACTS _____

GENDER _____

2 = FEMALE (NO GROUND INDENTS)
 (FEMALE ONLY)

PC MOUNT _____

3 = NICKEL SHELL _____

HARDWARE OPTIONS: _____

00 = .120" MOUNTING HOLE

55 = 4-40 INSERTS

03 = 4-40 HEX STANDOFFS

PLATING: _____

1 = GOLD FLASH

NUMBER OF CONTACTS	"A"	"B"	"C"	"D"
	Inch (mm)	Inch (mm)	Inch (mm)	Inch (mm)
15	1.214 (30.84)	.984 (24.99)	.405 (10.29)	.090 (2.29)
26	1.545 (39.24)	1.312 (33.32)	.765 (19.43)	.090 (2.29)

	THESE DRAWINGS AND SPECIFICATIONS ARE THE PROPERTY OF NorComp AND SHALL NOT BE REPRODUCED, COPIED OR USED AS THE BASIS FOR THE MANUFACTURE OF SALE OF APPARATUS WITHOUT WRITTEN PERMISSION.		DRAWN: PAM JENKINS	DATE: 9-15-05
	<h1>NorComp</h1>			CHECKED:
SCALE:				SHEET 1 OF 1
			DWG NO. 198-XXX-213LXX1	

Mouser Electronics

Authorized Distributor

Click to View Pricing, Inventory, Delivery & Lifecycle Information:

[NorComp:](#)

[198-015-213L031](#) [198-015-213L001](#) [198-026-213L001](#)