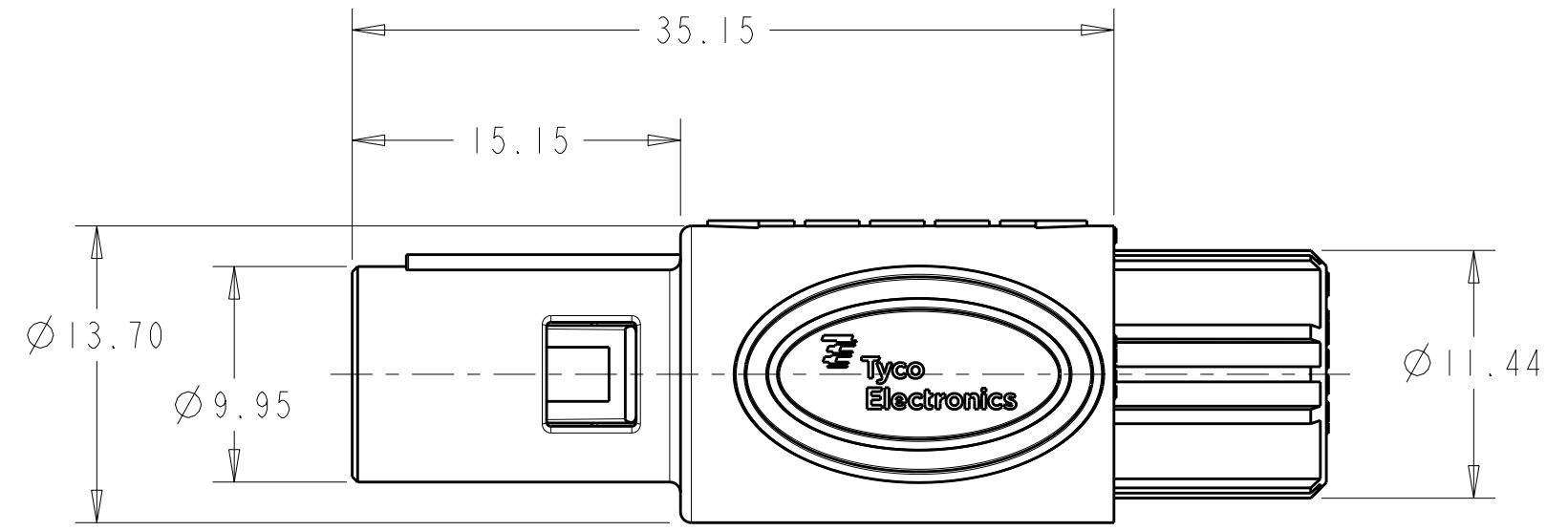
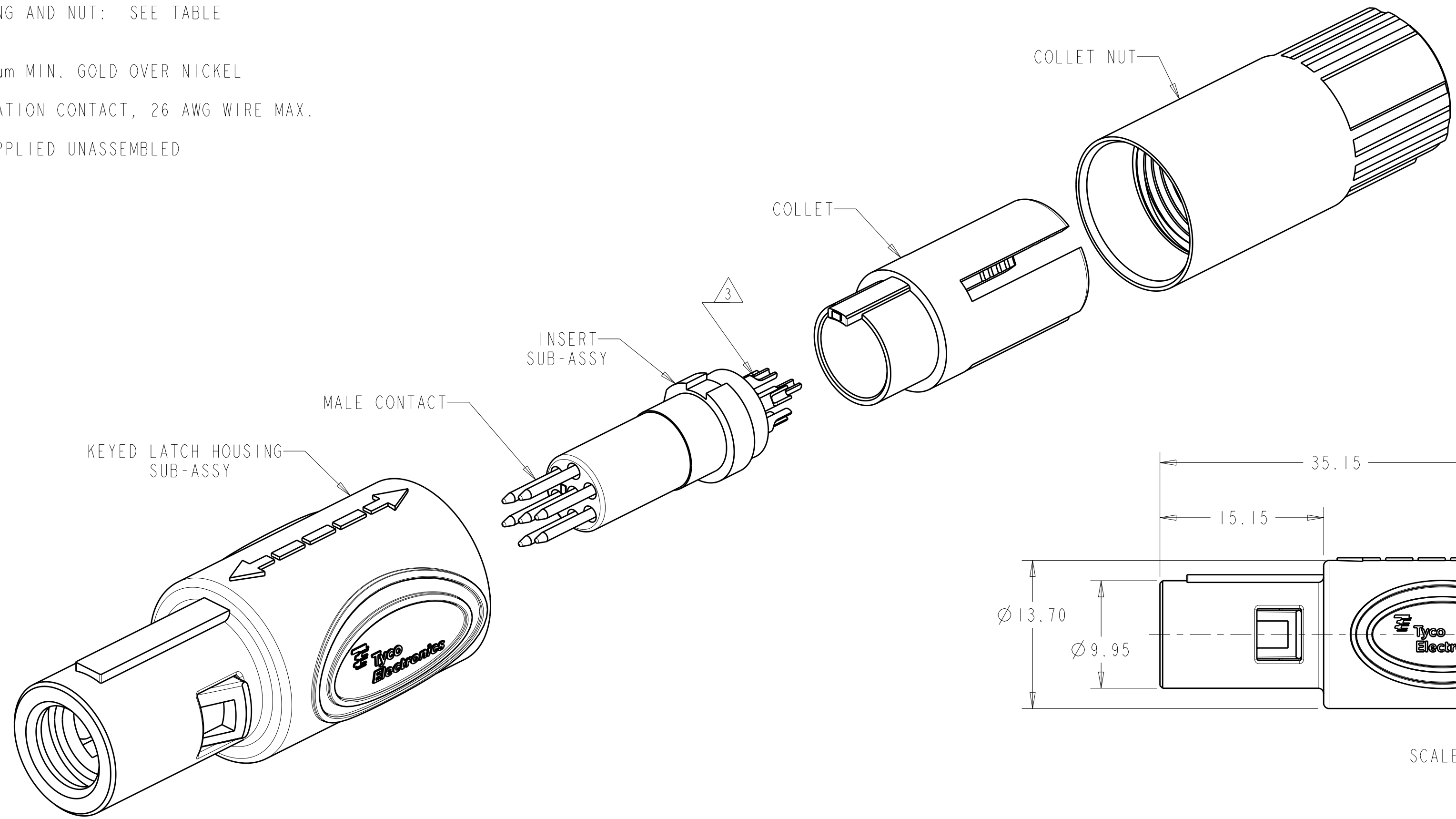


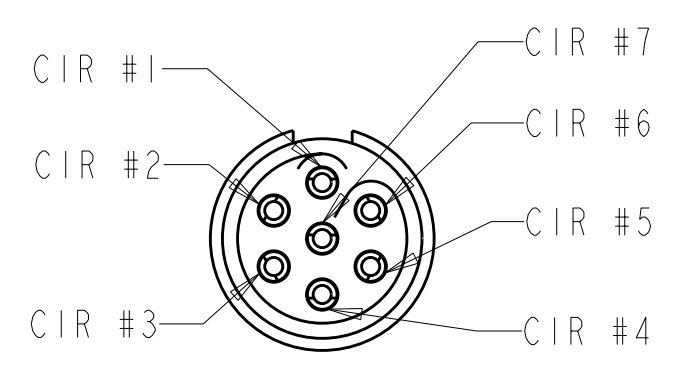
THIS DRAWING IS UNPUBLISHED. RELEASED FOR PUBLICATION 20
 © COPYRIGHT 20 BY - ALL RIGHTS RESERVED.

| LOC | DIST | REVISIONS | | | |
|-----|------|-------------|---------------------------|-----------|--------|
| P | LTR | DESCRIPTION | DATE | DWN | APVD |
| AD | 00 | B3 | REVISED PER ECO-11-005027 | 12MAR2011 | RK HMR |

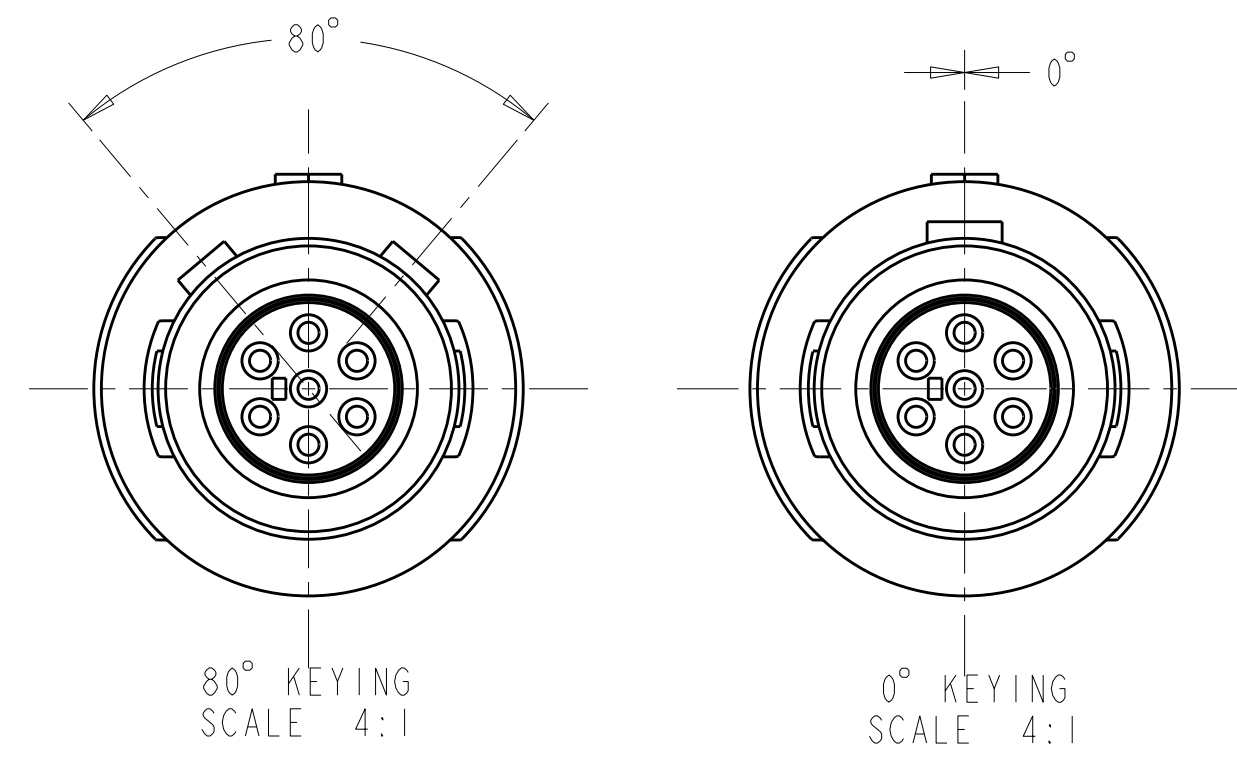
- 1 MATERIAL:
 CONTACT: BRASS
 LATCH HOUSING, INSERT, COLLET NUT:
 UL 94V-0 RATED THERMOPLASTIC
 COLOR:
 COLLET AND INSERT: GRAY
 LATCH HOUSING AND NUT: SEE TABLE
- 2 FINISH:
 CONTACT, 0.75µm MIN. GOLD OVER NICKEL
- 3 SOLDER TERMINATION CONTACT, 26 AWG WIRE MAX.
- 4. PRODUCT IS SUPPLIED UNASSEMBLED



SCALE 3:1



INSERT SUB-ASSY
 CIRCUIT DESIGNATION VIEW



80° KEYING
 SCALE 4:1

0° KEYING
 SCALE 4:1

SEE SHEET 2 FOR
 PART NUMBER SELECTION

PART NO.


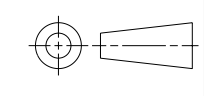
| | | | | |
|--|--|--|-----------------|--|
| THIS DRAWING IS A CONTROLLED DOCUMENT. | | DWN K. MILLER 09MAR2006 | TE Connectivity | |
| | | CHK L. BREKOSKY 09MAR2006 | | |
| DIMENSIONS: mm | | TOLERANCES UNLESS OTHERWISE SPECIFIED: | | NAME |
| | | 0 PLC ± 1 PLC ±0.13 2 PLC ±0.08 3 PLC ± 4 PLC ± ANGLES ±° FINISH | | 7 POSITION, CABLE COLLET STRAIGHT PLUG ASSEMBLY 0 AND 80 DEGREE KEYING |
| MATERIAL | | PRODUCT SPEC 108-2249 | | SIZE |
| 1 | | APPLICATION SPEC 114-13184 | | A2 |
| 2 | | WEIGHT | | CAGE CODE |
| | | CUSTOMER DRAWING | | 00779 |
| | | SCALE 4:1 | | DRAWING NO |
| | | SHEET 1 OF 3 | | 1877847 |
| | | REV B3 | | RESTRICTED TO |

THIS DRAWING IS UNPUBLISHED. RELEASED FOR PUBLICATION 20
 © COPYRIGHT 20 BY ALL RIGHTS RESERVED.

| REVISIONS | | | | |
|-----------|-----|-------------|------|------|
| P | LTR | DESCRIPTION | DATE | APVD |
| - | | SEE SHEET 1 | | |
| | | | | |
| | | | | |

| | | | | |
|-------------------------|------------------|---------------------|--------|-------------|
| Ø 2.7-Ø 3.9 | BLUE | GRAY | 80° | 7-1877847-2 |
| Ø 4.0-Ø 5.2 | BLUE | GRAY | 80° | 7-1877847-1 |
| Ø 5.3-Ø 6.5 | BLUE | GRAY | 80° | 7-1877847-0 |
| Ø 2.7-Ø 3.9 | BLUE | GRAY | 0° | 6-1877847-9 |
| Ø 4.0-Ø 5.2 | BLUE | GRAY | 0° | 6-1877847-8 |
| Ø 5.3-Ø 6.5 | BLUE | GRAY | 0° | 6-1877847-7 |
| Ø 2.7-Ø 3.9 | BLUE | BLACK | 80° | 6-1877847-6 |
| Ø 4.0-Ø 5.2 | BLUE | BLACK | 80° | 6-1877847-5 |
| Ø 5.3-Ø 6.5 | BLUE | BLACK | 80° | 6-1877847-4 |
| Ø 2.7-Ø 3.9 | BLUE | BLACK | 0° | 6-1877847-3 |
| Ø 4.0-Ø 5.2 | BLUE | BLACK | 0° | 6-1877847-2 |
| Ø 5.3-Ø 6.5 | BLUE | BLACK | 0° | 6-1877847-1 |
| Ø 2.7-Ø 3.9 | GREEN | GRAY | 80° | 6-1877847-0 |
| Ø 4.0-Ø 5.2 | GREEN | GRAY | 80° | 5-1877847-9 |
| Ø 5.3-Ø 6.5 | GREEN | GRAY | 80° | 5-1877847-8 |
| Ø 2.7-Ø 3.9 | GREEN | GRAY | 0° | 5-1877847-7 |
| Ø 4.0-Ø 5.2 | GREEN | GRAY | 0° | 5-1877847-6 |
| Ø 5.3-Ø 6.5 | GREEN | GRAY | 0° | 5-1877847-5 |
| Ø 2.7-Ø 3.9 | GREEN | BLACK | 80° | 5-1877847-4 |
| Ø 4.0-Ø 5.2 | GREEN | BLACK | 80° | 5-1877847-3 |
| Ø 5.3-Ø 6.5 | GREEN | BLACK | 80° | 5-1877847-2 |
| Ø 2.7-Ø 3.9 | GREEN | BLACK | 0° | 5-1877847-1 |
| Ø 4.0-Ø 5.2 | GREEN | BLACK | 0° | 5-1877847-0 |
| Ø 5.3-Ø 6.5 | GREEN | BLACK | 0° | 4-1877847-9 |
| Ø 2.7-Ø 3.9 | YELLOW | GRAY | 80° | 4-1877847-8 |
| Ø 4.0-Ø 5.2 | YELLOW | GRAY | 80° | 4-1877847-7 |
| Ø 5.3-Ø 6.5 | YELLOW | GRAY | 80° | 4-1877847-6 |
| Ø 2.7-Ø 3.9 | YELLOW | GRAY | 0° | 4-1877847-5 |
| Ø 4.0-Ø 5.2 | YELLOW | GRAY | 0° | 4-1877847-4 |
| Ø 5.3-Ø 6.5 | YELLOW | GRAY | 0° | 4-1877847-3 |
| Ø 2.7-Ø 3.9 | YELLOW | BLACK | 80° | 4-1877847-2 |
| Ø 4.0-Ø 5.2 | YELLOW | BLACK | 80° | 4-1877847-1 |
| Ø 5.3-Ø 6.5 | YELLOW | BLACK | 80° | 4-1877847-0 |
| Ø 2.7-Ø 3.9 | YELLOW | BLACK | 0° | 3-1877847-9 |
| Ø 4.0-Ø 5.2 | YELLOW | BLACK | 0° | 3-1877847-8 |
| Ø 5.3-Ø 6.5 | YELLOW | BLACK | 0° | 3-1877847-7 |
| CABLE RANGE | COLLET NUT COLOR | LATCH HOUSING COLOR | KEYING | PART NO. |
| PART NUMBERS 37 THRU 72 | | | | |

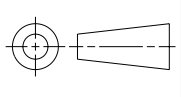
| | | | | |
|------------------------|------------------|---------------------|--------|-------------|
| Ø 2.7-Ø 3.9 | WHITE | GRAY | 80° | 3-1877847-6 |
| Ø 4.0-Ø 5.2 | WHITE | GRAY | 80° | 3-1877847-5 |
| Ø 5.3-Ø 6.5 | WHITE | GRAY | 80° | 3-1877847-4 |
| Ø 2.7-Ø 3.9 | WHITE | GRAY | 0° | 3-1877847-3 |
| Ø 4.0-Ø 5.2 | WHITE | GRAY | 0° | 3-1877847-2 |
| Ø 5.3-Ø 6.5 | WHITE | GRAY | 0° | 3-1877847-1 |
| Ø 2.7-Ø 3.9 | WHITE | BLACK | 80° | 3-1877847-0 |
| Ø 4.0-Ø 5.2 | WHITE | BLACK | 80° | 2-1877847-9 |
| Ø 5.3-Ø 6.5 | WHITE | BLACK | 80° | 2-1877847-8 |
| Ø 2.7-Ø 3.9 | WHITE | BLACK | 0° | 2-1877847-7 |
| Ø 4.0-Ø 5.2 | WHITE | BLACK | 0° | 2-1877847-6 |
| Ø 5.3-Ø 6.5 | WHITE | BLACK | 0° | 2-1877847-5 |
| Ø 2.7-Ø 3.9 | RED | GRAY | 80° | 2-1877847-4 |
| Ø 4.0-Ø 5.2 | RED | GRAY | 80° | 2-1877847-3 |
| Ø 5.3-Ø 6.5 | RED | GRAY | 80° | 2-1877847-2 |
| Ø 2.7-Ø 3.9 | RED | GRAY | 0° | 2-1877847-1 |
| Ø 4.0-Ø 5.2 | RED | GRAY | 0° | 2-1877847-0 |
| Ø 5.3-Ø 6.5 | RED | GRAY | 0° | 1-1877847-9 |
| Ø 2.7-Ø 3.9 | RED | BLACK | 80° | 1-1877847-8 |
| Ø 4.0-Ø 5.2 | RED | BLACK | 80° | 1-1877847-7 |
| Ø 5.3-Ø 6.5 | RED | BLACK | 80° | 1-1877847-6 |
| Ø 2.7-Ø 3.9 | RED | BLACK | 0° | 1-1877847-5 |
| Ø 4.0-Ø 5.2 | RED | BLACK | 0° | 1-1877847-4 |
| Ø 5.3-Ø 6.5 | RED | BLACK | 0° | 1-1877847-3 |
| Ø 2.7-Ø 3.9 | GRAY | GRAY | 80° | 1-1877847-2 |
| Ø 4.0-Ø 5.2 | GRAY | GRAY | 80° | 1-1877847-1 |
| Ø 5.3-Ø 6.5 | GRAY | GRAY | 80° | 1-1877847-0 |
| Ø 2.7-Ø 3.9 | GRAY | GRAY | 0° | 1877847-9 |
| Ø 4.0-Ø 5.2 | GRAY | GRAY | 0° | 1877847-8 |
| Ø 5.3-Ø 6.5 | GRAY | GRAY | 0° | 1877847-7 |
| Ø 2.7-Ø 3.9 | BLACK | BLACK | 80° | 1877847-6 |
| Ø 4.0-Ø 5.2 | BLACK | BLACK | 80° | 1877847-5 |
| Ø 5.3-Ø 6.5 | BLACK | BLACK | 80° | 1877847-4 |
| Ø 2.7-Ø 3.9 | BLACK | BLACK | 0° | 1877847-3 |
| Ø 4.0-Ø 5.2 | BLACK | BLACK | 0° | 1877847-2 |
| Ø 5.3-Ø 6.5 | BLACK | BLACK | 0° | 1877847-1 |
| CABLE RANGE | COLLET NUT COLOR | LATCH HOUSING COLOR | KEYING | PART NO. |
| PART NUMBERS 1 THRU 36 | | | | |

| | | | | |
|---|--|--|---|--|
| THIS DRAWING IS A CONTROLLED DOCUMENT. | | DWN K. MILLER 09MAR2006 |  TE Connectivity | |
| | | CHK L. BREKOSKY 09MAR2006 | | |
| DIMENSIONS: mm | | TOLERANCES UNLESS OTHERWISE SPECIFIED: 0 PLC ± 1 PLC ±0.13 2 PLC ±0.08 3 PLC ± 4 PLC ± ANGLES ±° FINISH | | NAME 7 POSITION, CABLE COLLET STRAIGHT PLUG ASSEMBLY 0 AND 80 DEGREE KEYING |
|  | | PRODUCT SPEC 108-2249 APPLICATION SPEC 114-13184 | SIZE A2 | CAGE CODE 00779 |
| MATERIAL - | | WEIGHT - | DRAWING NO 1877847 | RESTRICTED TO - |
| CUSTOMER DRAWING | | | SCALE 4:1 | SHEET 2 OF 3 REV B3 |

THIS DRAWING IS UNPUBLISHED. RELEASED FOR PUBLICATION 20
 © COPYRIGHT 20 BY - ALL RIGHTS RESERVED.

| LOC | DIST | REVISIONS | | | | | |
|-----|------|-----------|-----|-------------|------|-----|------|
| | | P | LTR | DESCRIPTION | DATE | DWN | APVD |
| AD | 00 | - | | SEE SHEET 1 | - | - | - |
| | | | | | | | |
| | | | | | | | |

| | | | | |
|--------------------------------|---------------------|------------------------|--------|-------------|
| ∅ 2.7-∅ 3.9 | BLACK | GRAY | 80° | 8-1877847-4 |
| ∅ 4.0-∅ 5.2 | BLACK | GRAY | 80° | 8-1877847-3 |
| ∅ 5.3-∅ 6.5 | BLACK | GRAY | 80° | 8-1877847-2 |
| ∅ 2.7-∅ 3.9 | BLACK | GRAY | 0° | 8-1877847-1 |
| ∅ 4.0-∅ 5.2 | BLACK | GRAY | 0° | 8-1877847-0 |
| ∅ 5.3-∅ 6.5 | BLACK | GRAY | 0° | 7-1877847-9 |
| ∅ 2.7-∅ 3.9 | GRAY | BLACK | 80° | 7-1877847-8 |
| ∅ 4.0-∅ 5.2 | GRAY | BLACK | 80° | 7-1877847-7 |
| ∅ 5.3-∅ 6.5 | GRAY | BLACK | 80° | 7-1877847-6 |
| ∅ 2.7-∅ 3.9 | GRAY | BLACK | 0° | 7-1877847-5 |
| ∅ 4.0-∅ 5.2 | GRAY | BLACK | 0° | 7-1877847-4 |
| ∅ 5.3-∅ 6.5 | GRAY | BLACK | 0° | 7-1877847-3 |
| CABLE RANGE | COLLET NUT COLOR | LATCH HOUSING COLOR | KEYING | PART NO. |
| PART NUMBERS 73 THRU 84 | | | | |

| | | | | |
|---|---|---------------------------------|--|-----------------------|
| THIS DRAWING IS A CONTROLLED DOCUMENT. | | DWN K. MILLER 09MAR2006 | STE TE Connectivity | |
| | | CHK L. BREKOSKY 09MAR2006 | | |
| DIMENSIONS: mm | TOLERANCES UNLESS OTHERWISE SPECIFIED: | APVD - | NAME 7 POSITION, CABLE COLLET STRAIGHT PLUG ASSEMBLY 0 AND 80 DEGREE KEYING | |
|  | 0 PLC ±- 1 PLC ±0.13 2 PLC ±0.08 3 PLC ±- 4 PLC ±- ANGLES ±° FINISH | PRODUCT SPEC 108-2249 | SIZE A2 | |
| MATERIAL - | | APPLICATION SPEC 114-13184 | CAGE CODE 00779 | DRAWING NO 1877847 |
| | | WEIGHT - | RESTRICTED TO - | |
| | | CUSTOMER DRAWING | SCALE 4:1 | SHEET 3 OF 3 |
| | | | REV B.3 | |

Mouser Electronics

Authorized Distributor

Click to View Pricing, Inventory, Delivery & Lifecycle Information:

[TE Connectivity:](#)

[4-1877847-2](#)