

PART NAME

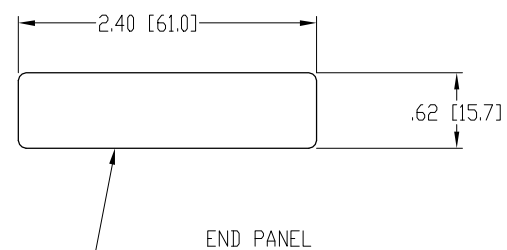
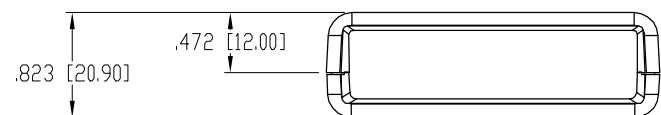
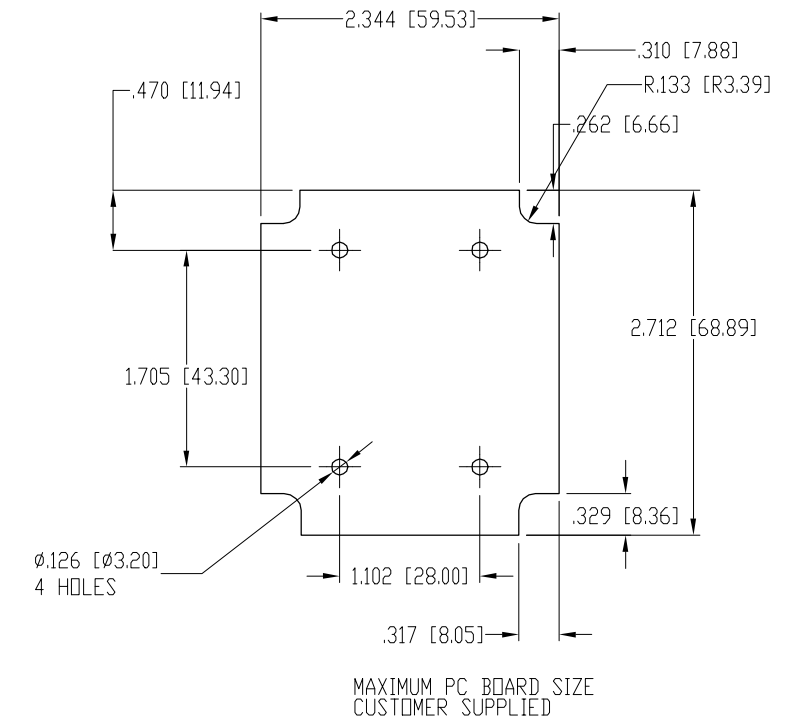
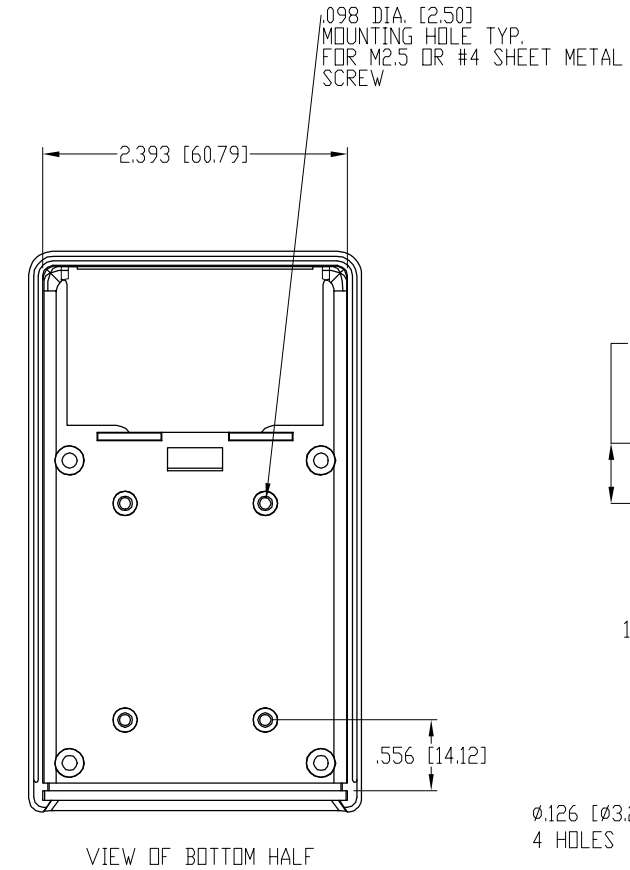
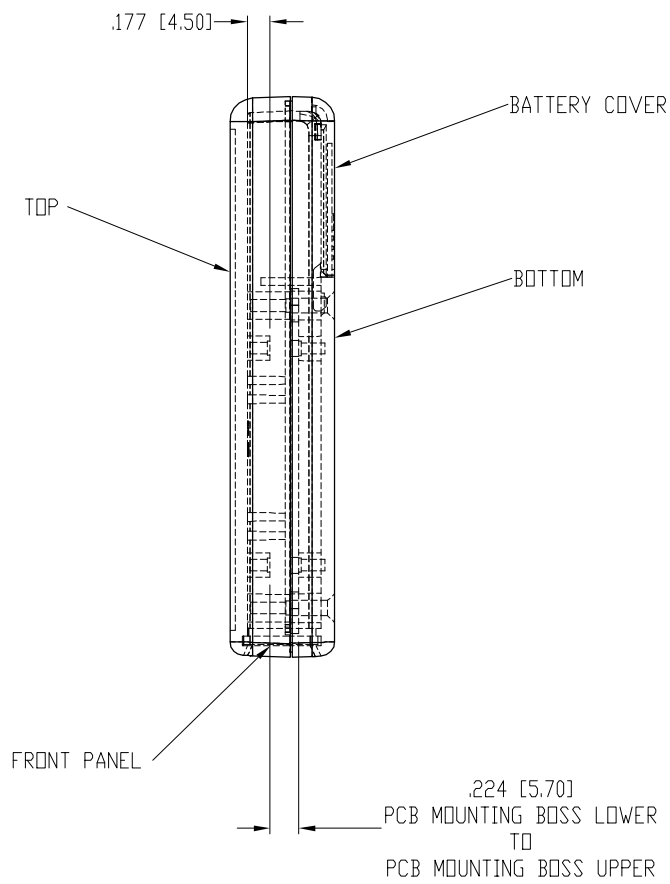
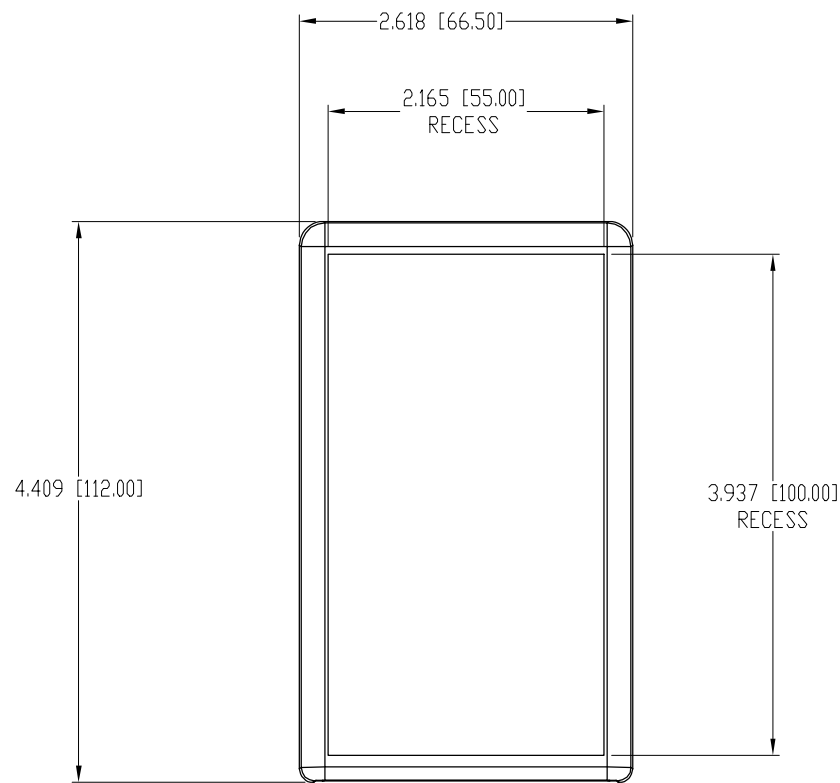
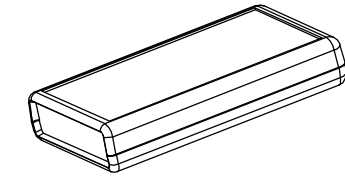
HAND-HELD PLASTIC BOX, STYLE 3

PART NO.

HP-3662-B

REVISION DATE

10-26-10



VIEWING AREA  
2.264 [57.49] X .570 [14.48]

MATERIAL AND FINISH:

BLACK HIGH-IMPACT ABS (UL94-HB) - TOP, BOTTOM, COVER, AND END PANEL

FOUR (4) M3 X .63 [16] LG SCREWS SUPPLIED FOR ASSEMBLY

OPTIONAL ACCESSORIES:

INFRARED PANELS P/N HP-3646

BELT CLIP (BLACK) P/N HH-3595-BCB

AA BATTERY CONTACT KIT: HH-3442-C

9V BATTERY CLIP: HH-3449

2 AAA BATTERY HOLDER: HH-3630

# Mouser Electronics

Authorized Distributor

Click to View Pricing, Inventory, Delivery & Lifecycle Information:

[Bud Industries:](#)

[HP-3662-B](#)