

IP5-04-05.0-L-S-1-TR

IP5-08-05.0-L-S-1-TR

IP5-04-01-L-S-RA1-TR

(4.00 mm) .1575"

IP5, IP5-RA SERIES

50 Ω HIGH ISOLATION RF PLUGS

SPECIFICATIONS

For complete specifications and recommended PCB layouts see www.samtec.com?IP5

Shell Material:

Copper Alloy
Insulator Material:
Black LCP

Contact Material:

Copper Alloy
Dielectric Material:
Black LCP

Plating:

Au or Sn over

50 μ" (1.27 μm) Ni

Current Rating (Vertical):

Signals: 2.36 A per pin

(2 adjacent pins powered)

Grounds: 4.4 A per pin

(2 adjacent pins powered)

Operating Temp Range:

-55 °C to +125 °C

Dielectric Withstanding Voltage:

IP5 = 600 VAC

IP5-RA = 190 VAC

Working Voltage:

IP5 = 200 VAC

IP5-RA = 190 VAC

RoHS Compliant:

Yes

IP5 — **PLUGS PER ROW** — **05.0** — **PLATING** — **ROW OPTION** — **TAIL** — **OPTION** — **TR**

Mates with: **IJ5, IJ5C**

-01, -02, -04, -06, -08

-L
= 10 μ" (0.25 μm)
Gold on contact area,
Matte Tin on tail

-S
= Single Row

-D
= Double Row
(Not available with -01)

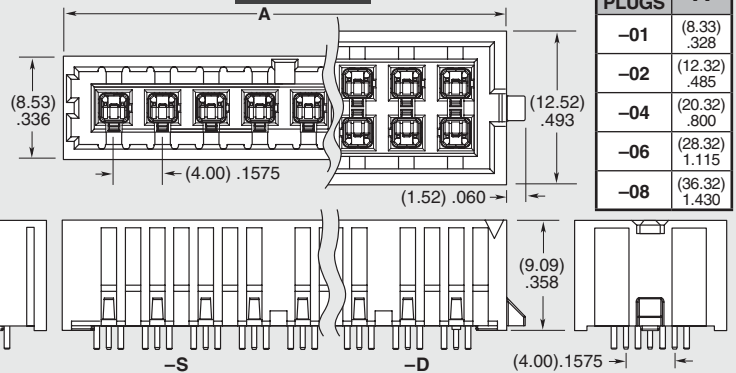
-1
= (1.60 mm)
.062" board thickness

-L
= Cable Latch
(Single Row only)

-TR
= Tape & Reel

IP5/IJ5 10 mm Stack Height	Frequency
Insertion Loss = 3 dB	10.5 GHz / 21.0 Gbps
Return Loss = 15 dB	5.5 GHz / 11.0 Gbps
Isolation = 60 dB	8.8 GHz / 17.6 Gbps
Isolation = 70 dB	7.6 GHz / 15.2 Gbps
Isolation = 80 dB	1.3 GHz / 2.6 Gbps

Complete test data available at www.samtec.com?IP5 or contact sig@samtec.com



NO. OF PLUGS	A
-01	(8.33) .328
-02	(12.32) .485
-04	(20.32) .800
-06	(28.32) 1.115
-08	(36.32) 1.430

PROCESSING

Lead-Free Solderable:

Yes

RECOGNITIONS

For complete scope of recognitions see www.samtec.com/quality



FILE NO. E111594

ALSO AVAILABLE (MOQ Required)

- Other stack heights
 - Other PCB thicknesses
- Contact Samtec.

IP5 — **PLUGS PER ROW** — **01** — **PLATING** — **S** — **TAIL OPTION** — **OPTION** — **TR**

Mates with: **IJ5, IJ5C**

-02, -04, -06, -08

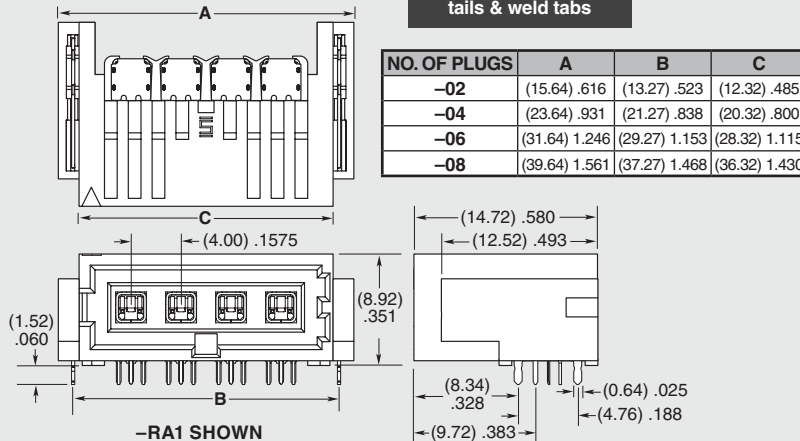
-L
= 10 μ" (0.25 μm)
Gold on contact area,
Matte Tin on grounds,
tails & weld tabs

-RA1
= (1.60 mm)
.062" board thickness

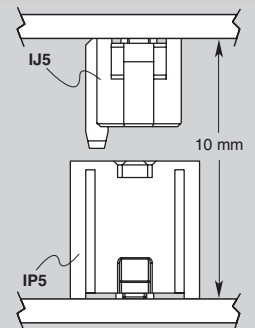
(Leave blank for no Cable Latch)

-L
= Cable Latch

-TR
= Tape & Reel



APPLICATION



Due to technical progress, all designs, specifications and components are subject to change without notice.

Mouser Electronics

Authorized Distributor

Click to View Pricing, Inventory, Delivery & Lifecycle Information:

Samtec:

[IP5-02-01-L-S-RA1-L-TR](#) [IP5-08-01-L-S-RA1-L-TR](#) [IP5-08-05.0-L-S-1-TR](#) [IP5-01-05.0-L-S-1-TR](#) [IP5-02-05.0-L-S-1-TR](#) [IP5-08-05.0-L-S-1-L-TR](#) [IP5-06-05.0-L-S-1-L-TR](#) [IP5-04-05.0-L-S-1-TR](#) [IP5-02-01-L-S-RA1-TR](#) [IP5-04-05.0-L-S-1-L-TR](#) [IP5-06-01-L-S-RA1-L-TR](#) [IP5-04-01-L-S-RA1-L-TR](#) [IP5-04-01-S-S-RA1-L-TR](#) [IP5-06-05.0-L-S-1-TR](#) [IP5-08-01-L-S-RA1-TR](#) [IP5-06-01-L-S-RA1-TR](#) [IP5-06-05.0-L-D-1-TR](#) [IP5-08-05.0-L-D-1-TR](#) [IP5-08-05.0-S-S-1-TR](#) [IP5-04-01-L-S-RA1-TR](#) [IP5-02-05.0-L-D-1-TR](#) [IP5-02-05.0-L-S-1-L-TR](#) [IP5-04-05.0-L-D-1-TR](#) [IP5-06-05.0-S-S-1-L-TR](#) [IP5-08-01-S-S-RA1-L-TR](#) [IP5-06-01-S-S-RA1-TR](#) [IP5-02-01-S-S-RA1-L-TR](#) [IP5-02-05.0-S-S-1-L-TR](#) [IP5-04-05.0-S-S-1-L-TR](#)