

Basic terminal block - UM122-2FLK14/PI-ES/4/OUT/S7 - 2835642


Please be informed that the data shown in this PDF Document is generated from our Online Catalog. Please find the complete data in the user's documentation. Our General Terms of Use for Downloads are valid (<http://phoenixcontact.com/download>)



Analog out motherboard for S7-300, to hold PI-C-UI-UI-AO, mounting on NS 32, or NS 35/7.5.



Key Commercial Data

Packing unit	1 pc
GTIN	 4 017918 827274
GTIN	4017918827274

Technical data

Dimensions

Width	58.6 mm
Height	127.5 mm
Depth	82.6 mm

Ambient conditions

Ambient temperature (operation)	-20 °C ... 60 °C
Ambient temperature (storage/transport)	-40 °C ... 75 °C

General

Nom. voltage	20 V DC ... 35 V DC
Nominal current I_N	60 mA (max. current consumption)
Housing insulation material	Polyamide PA non-reinforced, polycarbonate PC
Flammability rating according to UL 94	V0
Color	green
Conformance	CE-compliant

Standards and Regulations

Flammability rating according to UL 94	V0
Conformance	CE-compliant

Basic terminal block - UM122-2FLK14/PI-ES/4/OUT/S7 - 2835642

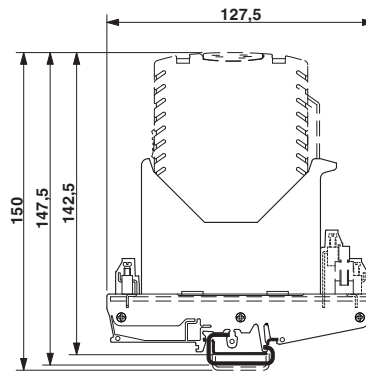
Technical data

Environmental Product Compliance

China RoHS	Environmentally Friendly Use Period = 50
	For details about hazardous substances go to tab "Downloads", Category "Manufacturer's declaration"

Drawings

Dimensional drawing



Approvals

Approvals

Approvals

EAC

Ex Approvals

Approval details

EAC		RU C- DE.A*30.B.01742
-----	--	--------------------------

Phoenix Contact 2018 © - all rights reserved
<http://www.phoenixcontact.com>

PHOENIX CONTACT GmbH & Co. KG
Flachsmarktstr. 8
32825 Blomberg
Germany
Tel. +49 5235 300
Fax +49 5235 3 41200
<http://www.phoenixcontact.com>

Mouser Electronics

Authorized Distributor

Click to View Pricing, Inventory, Delivery & Lifecycle Information:

[Phoenix Contact:](#)

[2835642](#)