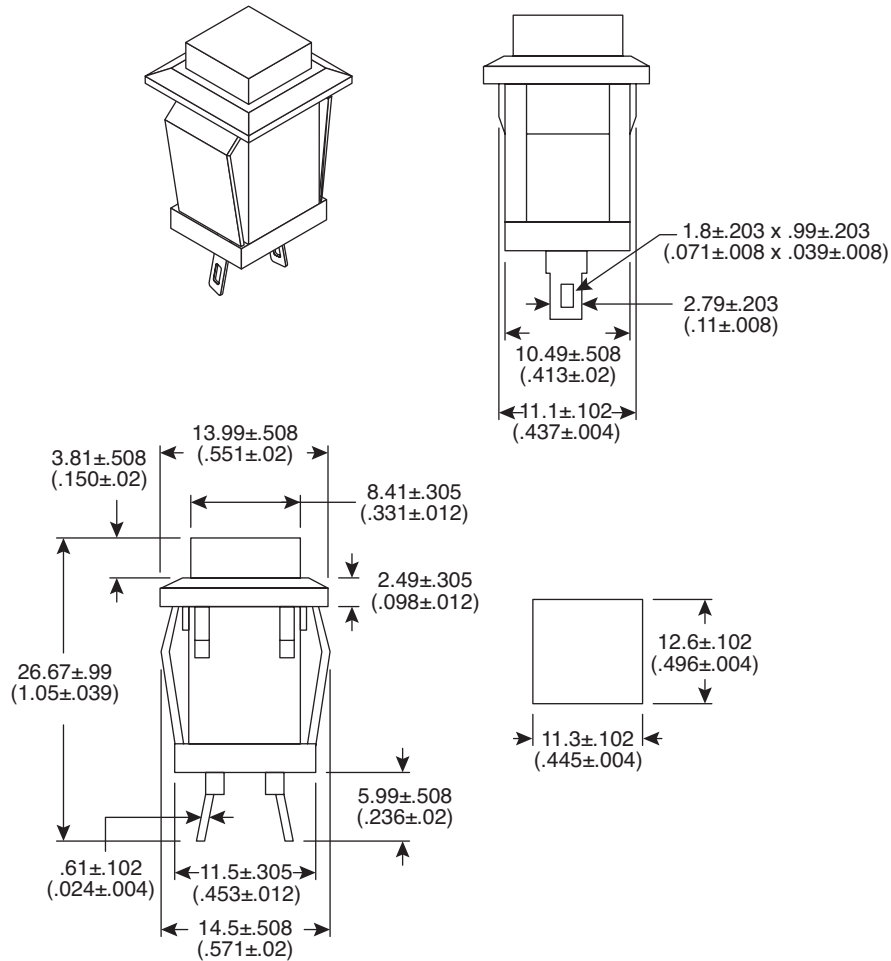


Dimensions: mm (In.)



**Electrical Specifications:**

- Rating: 1A/125VAC, .5A/250VAC
- Contact Resistance: 20mΩ max.
- Insulation Resistance: 100MΩ min. @ 500VDC
- Dielectric Strength: 1000VAC for 1 minute

**Note:**

- RoHS Compliant

Mouser Stock No.	Type	Circuit	Button Color
103-1209-EV	2PSPST	Off-(On)	Green
103-1210-EV	2PSPST	Off-(On)	Red
103-1211-EV	2PSPST	Off-(On)	Black

**Pushbutton Switches**

103-1209-EV, 103-1210-EV, 103-1211-EV



# Mouser Electronics

Authorized Distributor

Click to View Pricing, Inventory, Delivery & Lifecycle Information:

[Mountain Switch:](#)

[103-1210-EV](#) [103-1211-EV](#) [103-1209-EV](#)