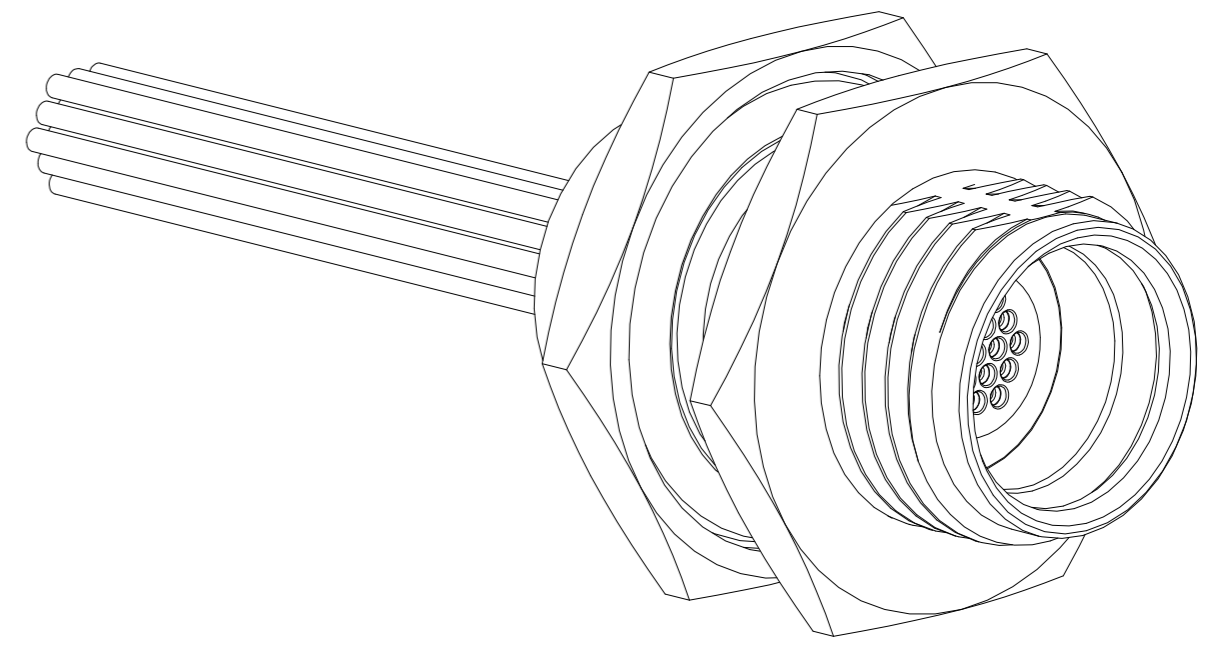
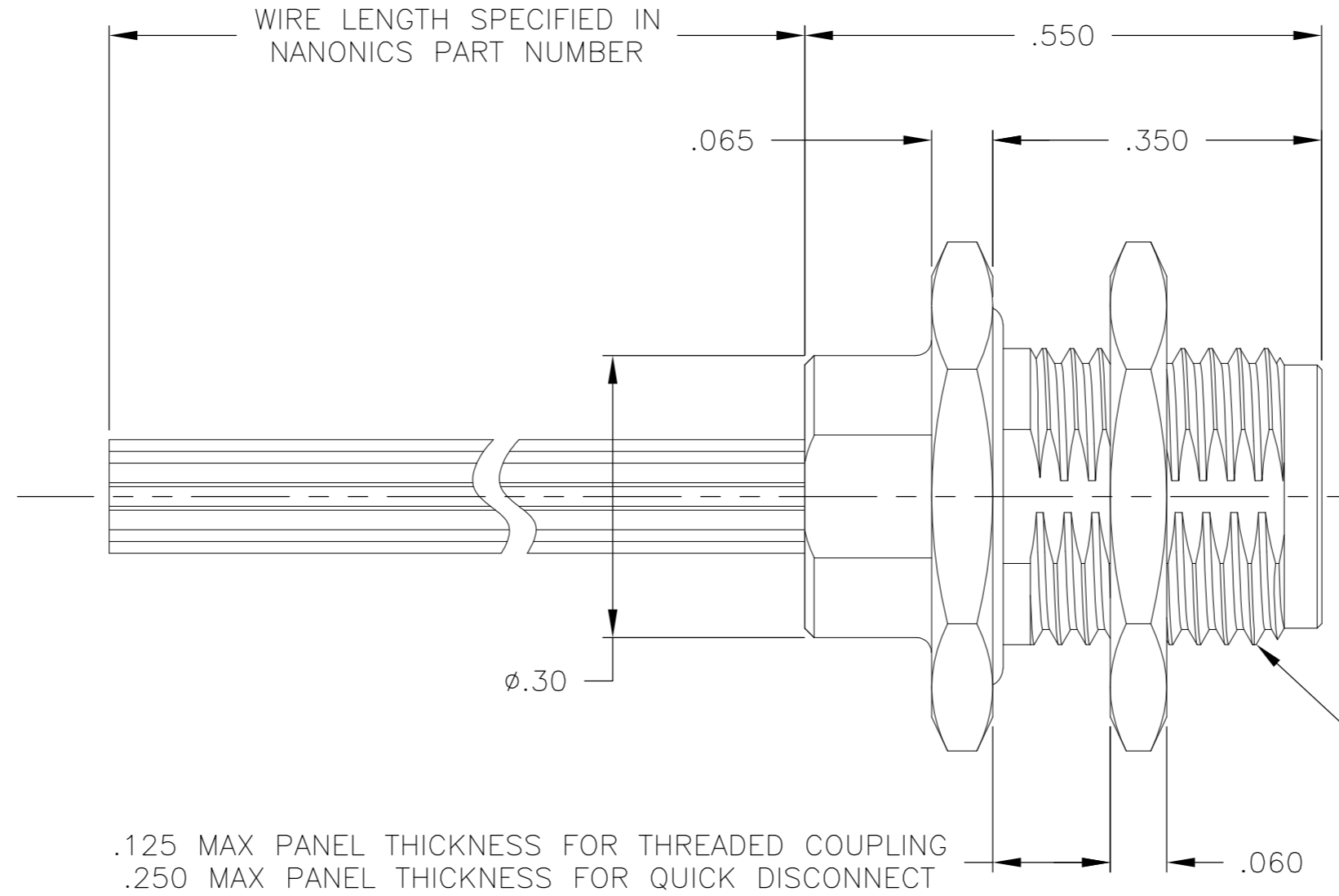
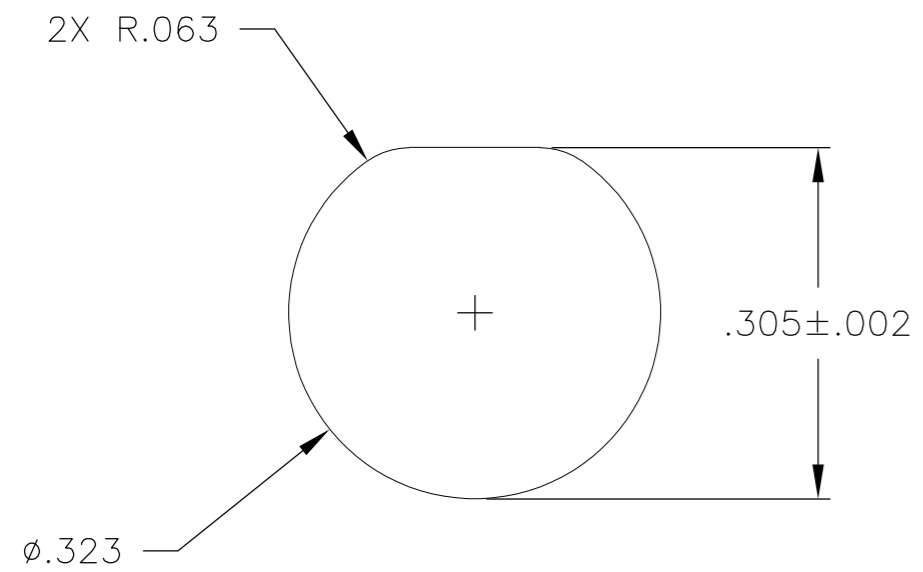


THIS DRAWING IS UNPUBLISHED. RELEASED FOR PUBLICATION
 © COPYRIGHT - By - ALL RIGHTS RESERVED.

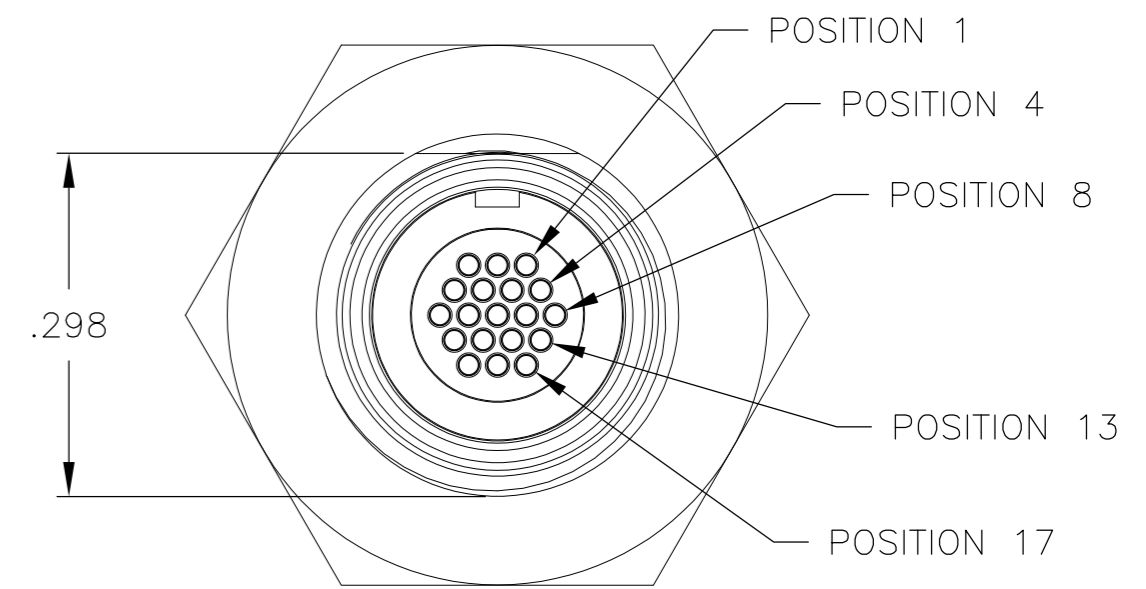
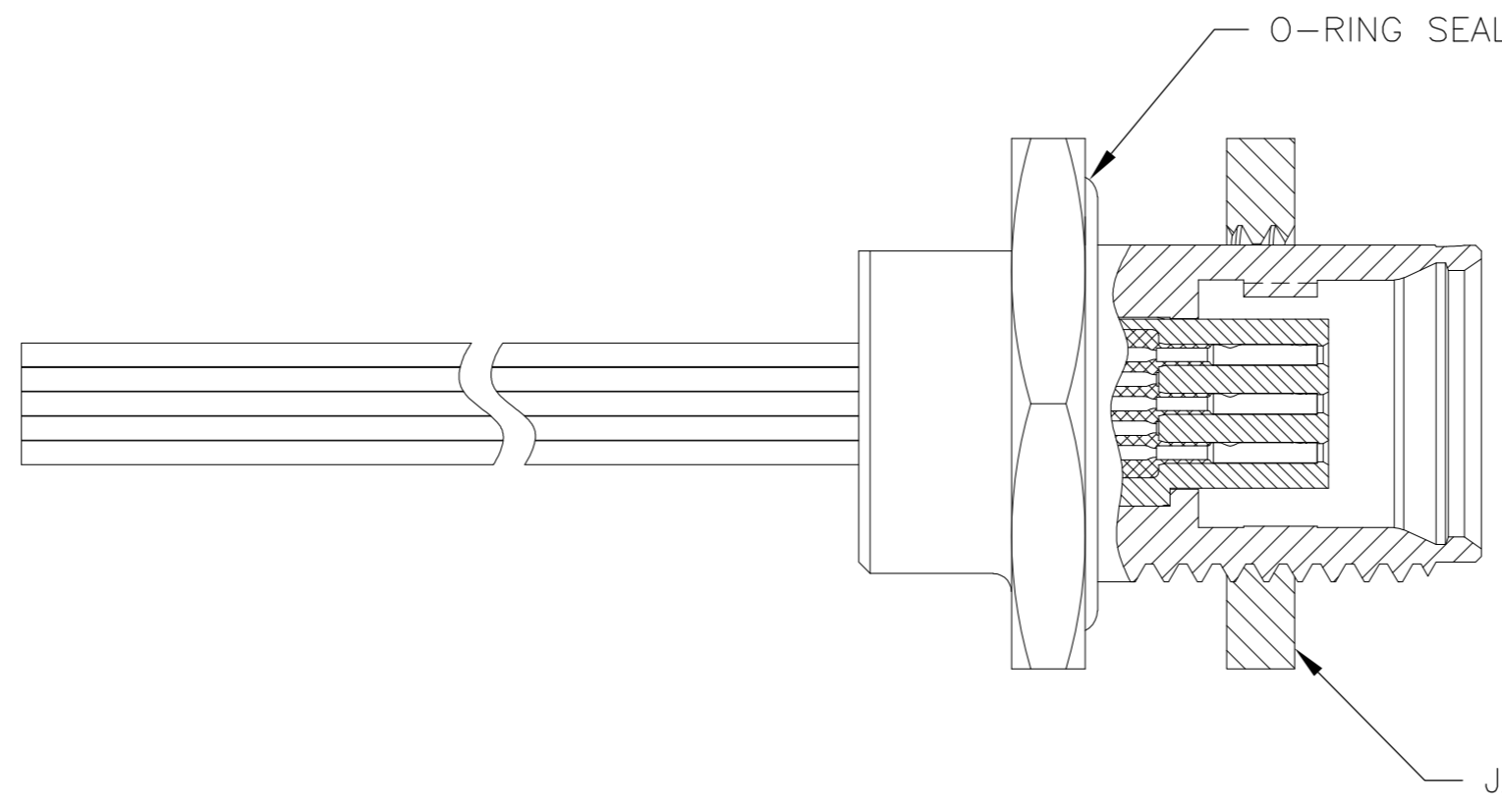
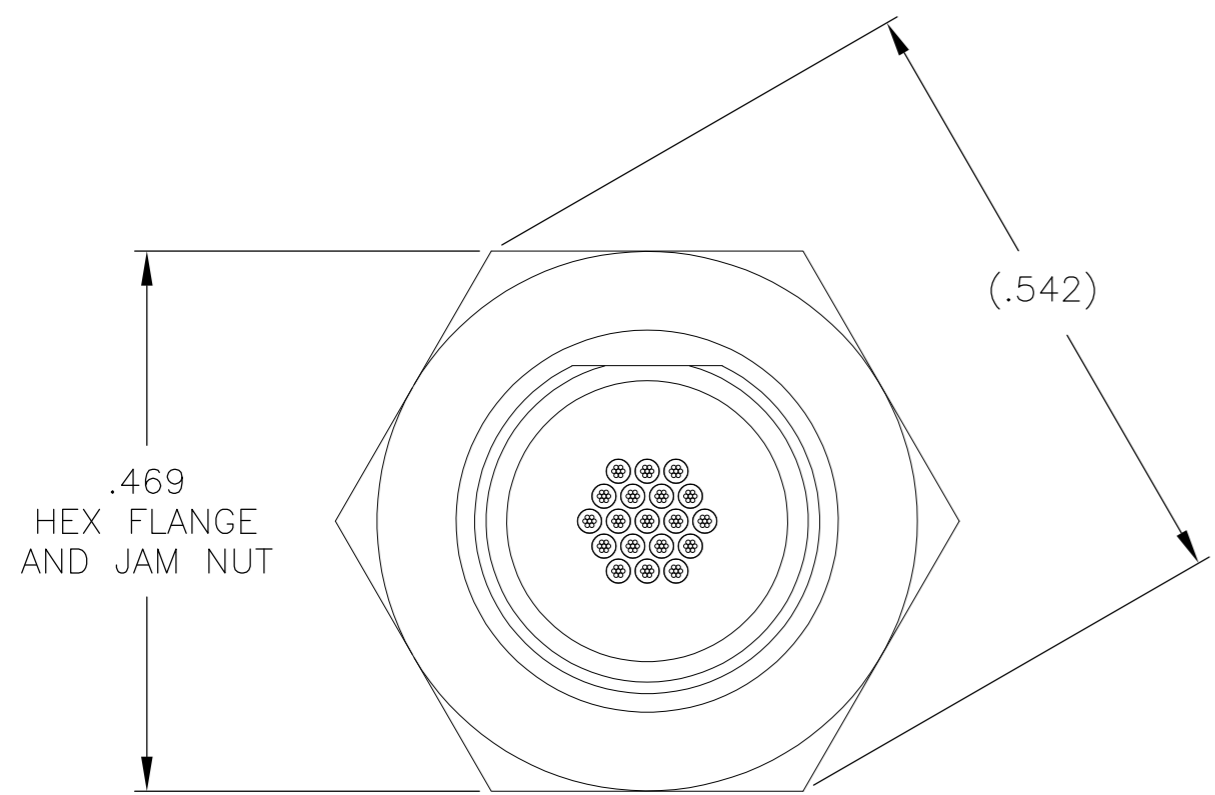
LOC		DIST		REVISIONS			
P	LTR	DESCRIPTION	DATE	DWN	APVD		
H		UPDATE PER ECO-11-013056	23 JUN 11	CAS	MKS		

SUGGESTED PANEL CUT-OUT



.125 MAX PANEL THICKNESS FOR THREADED COUPLING
 .250 MAX PANEL THICKNESS FOR QUICK DISCONNECT

M8.0 X 0.75-6g THREAD



- CONNECTOR BODY AND JAM NUT MATERIAL: 6061-T6 ALUMINUM, ELECTROLESS NICKEL PLATED PER SAE-AMS-C-26074 OR SAE-AMS-2404E
 LOCKING RING MATERIAL: BERYLLIUM COPPER, ELECTROLESS NICKEL PLATED PER SAE-AMS-C-26074 OR SAE-AMS-2404E
 INSULATOR MATERIAL: LIQUID CRYSTAL POLYMER (LCP) PER ASTM D5138 OR POLYPHENYLENE SULFIDE (PPS) PER ASTM D4067
 O-RING MATERIAL: FLUOROSILICONE
- WIRE TERMINATION: 28 AWG SOLID, 30 AWG STRANDED WIRE OR SMALLER
- LUBRICATE O-RING WITH PARKER SUPER-O-LUBE PRIOR TO INSTALLATION
- THIS DRAWING PREVIOUSLY IDENTIFIED AS NANONICS 303-0030

THIS DRAWING IS A CONTROLLED DOCUMENT.		DWN M. STORRY 7 MAY 99		
		CHK E. PAULUS 7 MAY 99		
		APVD S. KAIN 26 JAN 00	NAME	
DIMENSIONS: INCHES		TOLERANCES UNLESS OTHERWISE SPECIFIED:		RECEPTACLE ASSEMBLY, CIRCULAR, PANEL MOUNT, THREADED COUPLING/ QUICK DISCONNECT, METAL 19 POSITION
		0 PLC ± -	SIZE CAGE CODE DRAWING NO RESTRICTED TO	
		1 PLC ± -	A2 0PJN9 C=1589061	
		2 PLC ± .010	SCALE 6:1 SHEET 1 of 1 REV H	
		3 PLC ± .005		
		4 PLC ± -		
		ANGLES ± 1°		
MATERIAL SEE NOTES		FINISH SEE NOTES		
		WEIGHT -		
		CUSTOMER DRAWING		

1589061

Mouser Electronics

Authorized Distributor

Click to View Pricing, Inventory, Delivery & Lifecycle Information:

[TE Connectivity:](#)

[QCM019SC2DC003P](#)