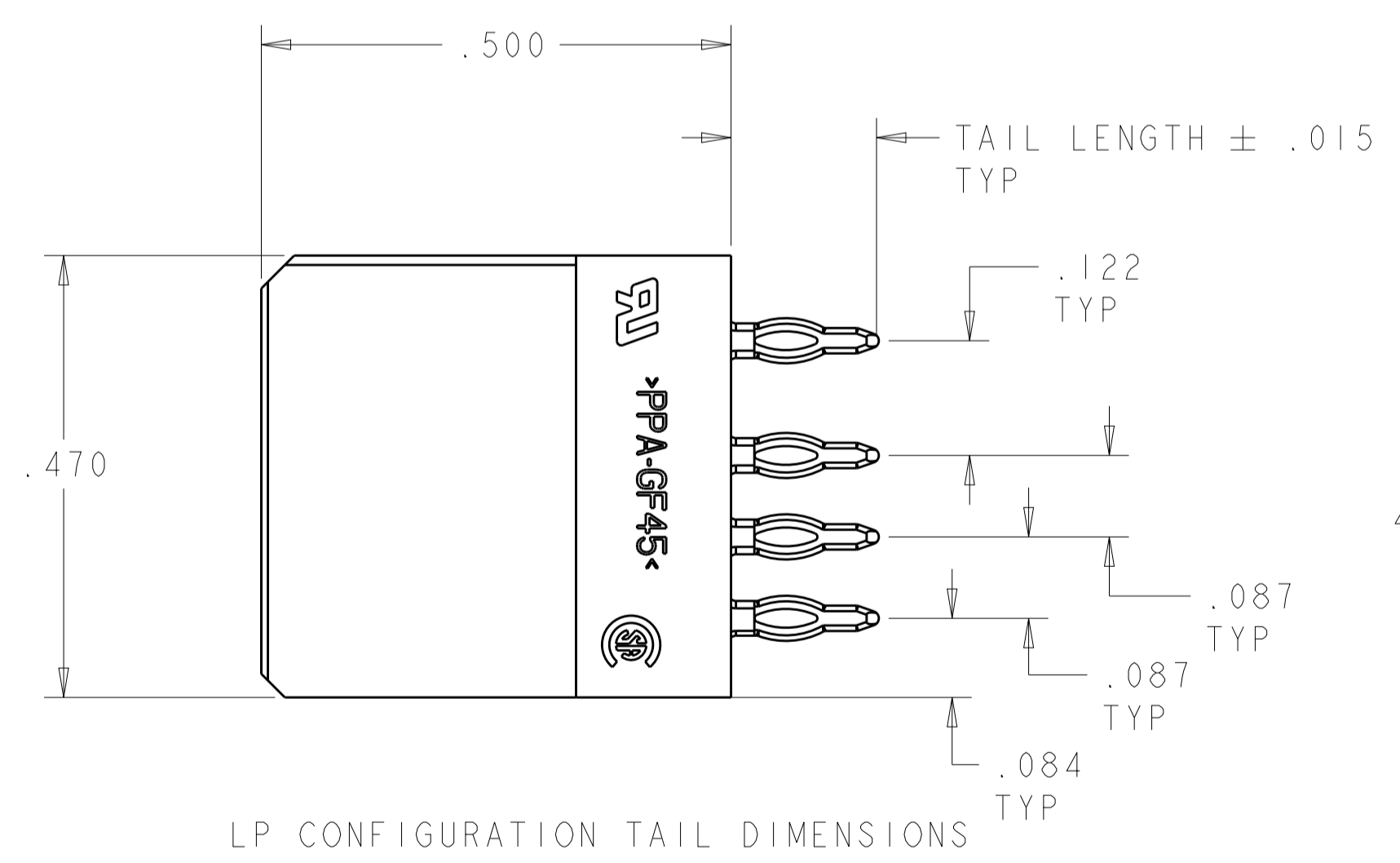
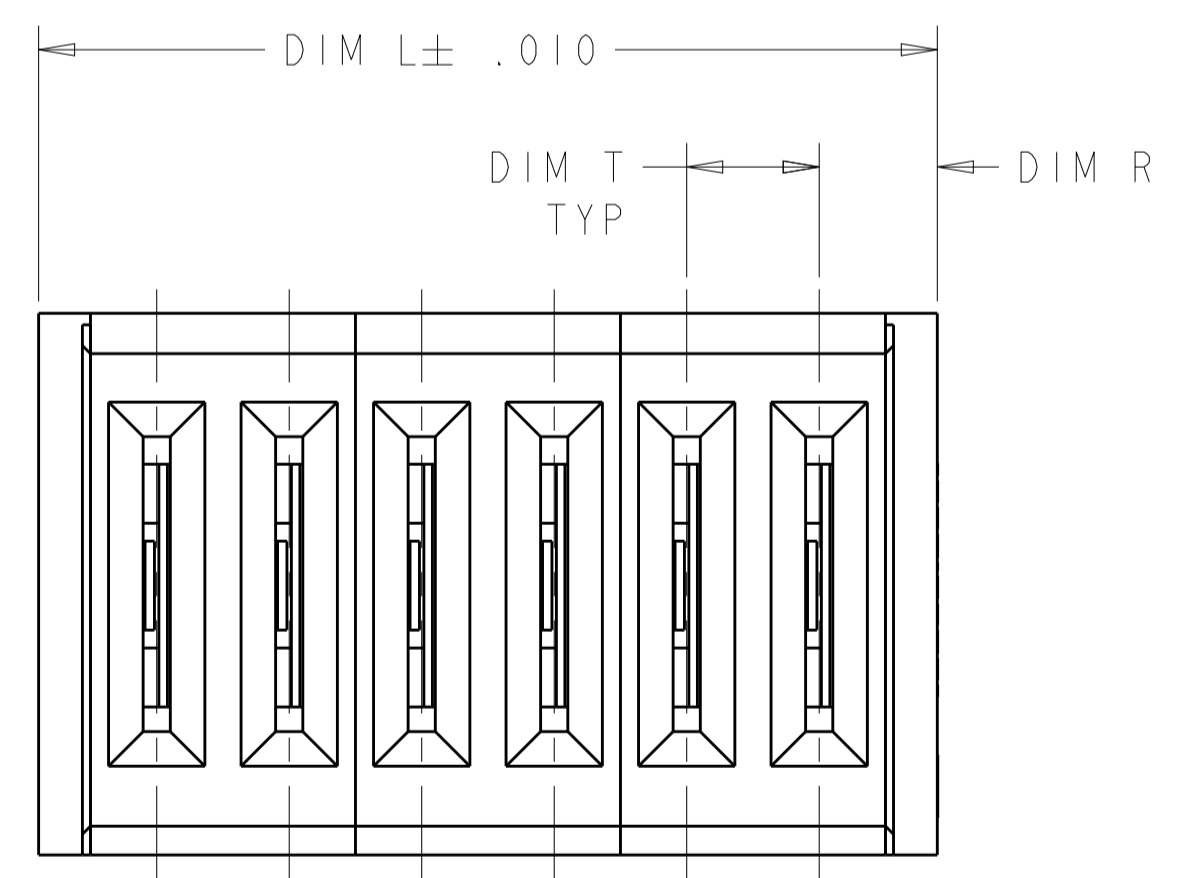
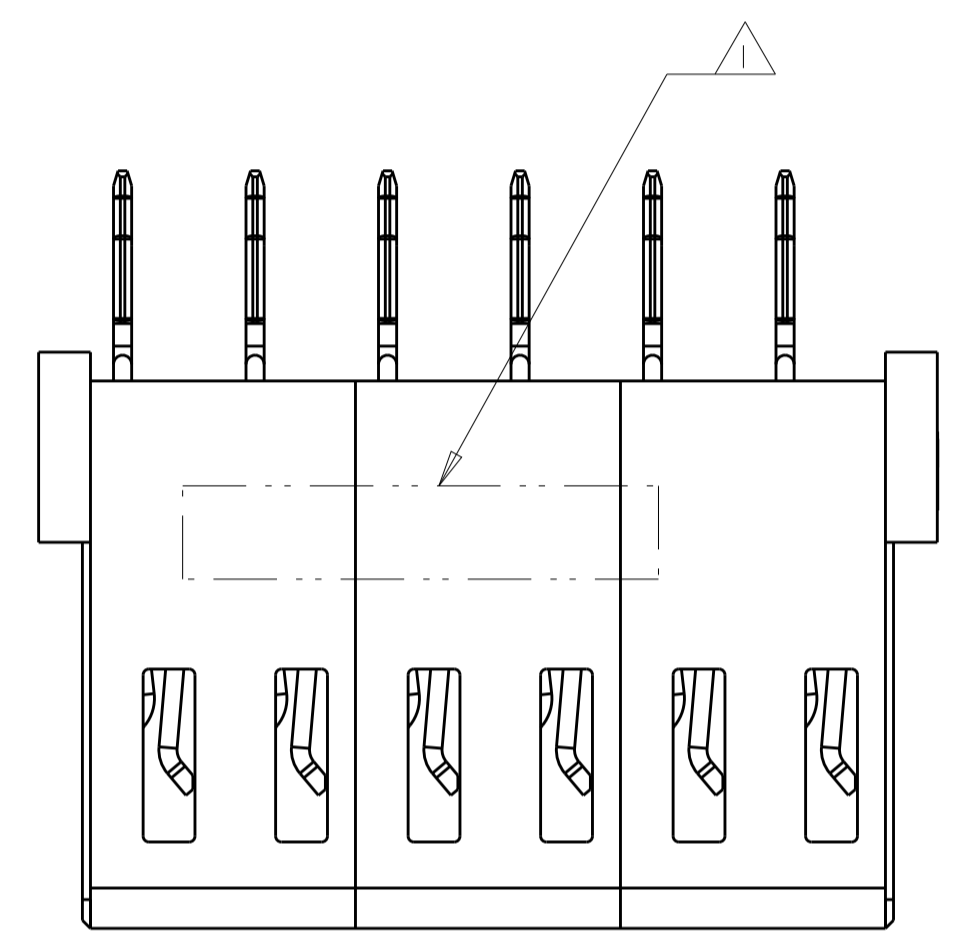
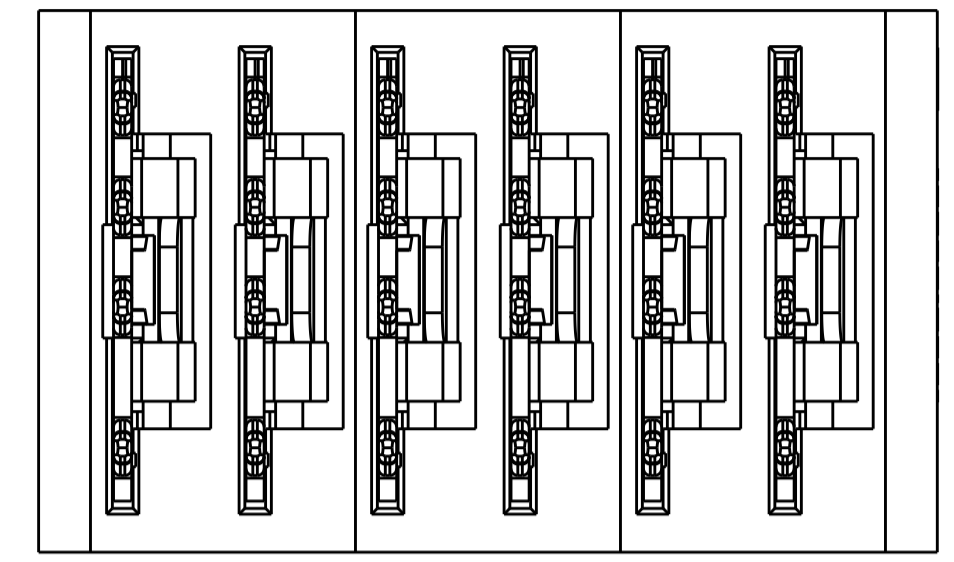


LOC	DIST	REVISIONS					
		P	LTN	DESCRIPTION	DATE	DWN	APVD
ES	00						
		D7		ADDED NEW DASH NUMBER	20MAY2013	CZ	SZ
		E		ADDED NEW DASH NUMBER 2-2	21FEB2015	CZ	SZ
		E1		ADD NEW DASH NUMBER 2-3	20MAR2015	CZ	SZ
		E2		REV PER ECO-17-002972	24FEB2017	WY	SZ



- 1 "AMP" PART NUMBER AND DATE CODE TO BE MARKED IN AREA SHOWN. PARTS 2.00 OR LESS MAYBE MARKED ON BOTH SIDES.
- 2 MATERIAL: HOUSING - GLASS FILLED HIGH TEMP THERMO PLASTIC, UL94 V-0  
POWER CONTACT - HIGH CONDUCTIVITY COPPER ALLOY
- 3 CONTACT PLATING: NOBLE METAL PLATING ON CONTACT FUNCTIONAL AREA OF POWER AND SIGNAL CONTACTS.
- 4 MECHANICAL CONNECTOR KEEP OUT ZONE
- 5 DATUM AND BASIC DIMENSIONS ESTABLISHED BY CUSTOMER
- 6 PCB - ALL HOLE DIMENSIONS ARE FINISHED HOLE SIZES
- 7 PCB - .0453±.0010 DRILLED HOLES. PLATED WITH .0003 MIN Sn OVER .001 TO .003 Cu PLATING TO ACHIEVE A .040 DIA. HOLE
- 8 FOR PART NUMBER 6450869-4,6450869-5,6450869-6,6450869-7 PLEASE REFER TO SHEET 2.
- 9 VARIABLE DIMENSIONS PLEASE REFER TO TABLE.
- 10 PLEASE REFER TO PARTS VIEW FOR DETAIL DIMENTIONS.

S	W	R	T	L	DESCRIPTION	PART NUMBER
-	-	.1025	.115	.435	3LP	2-6450869-3
-	-	.1025	.115	.320	2LP	2-6450869-2
-	-	-	-	.540	2P	1-6450869-7
-	-	-	-	2.820	2HDP + 3LP + 40S + 4LP + 2HDP	1-6450869-6
-	-	-	-	1.370	1LP + 40S + 1LP	1-6450869-5
-	-	-	-	2.820	2ACP+ 1LP + 32S + 3HDP + 1LP + 1HDP	1-6450869-4
-	-	-	-	.400	2P	1-6450869-3
-	-	-	-	-	8P	6450869-8
-	-	.170	.200	2.715	12P	6450869-7
4.070	.120	1.295	.200	5.090	44S + 14P + 40S	6450869-6
-	1.595	.345	-	2.015	4P + 16S	6450869-5
-	.120	.795	.200	1.340	24S + 2P	6450869-4
-	-	-	-	-	4S + 17HDP + 8S	6450869-3
-	-	-	-	-	8S + 27P + 8S	6450869-2
-	-	.1025	.115	.780	6 LP	6450869-1

THIS DRAWING IS A CONTROLLED DOCUMENT. DWN: H.LIU 30APR2008  
 CHK: S.ZHAO 30APR2008

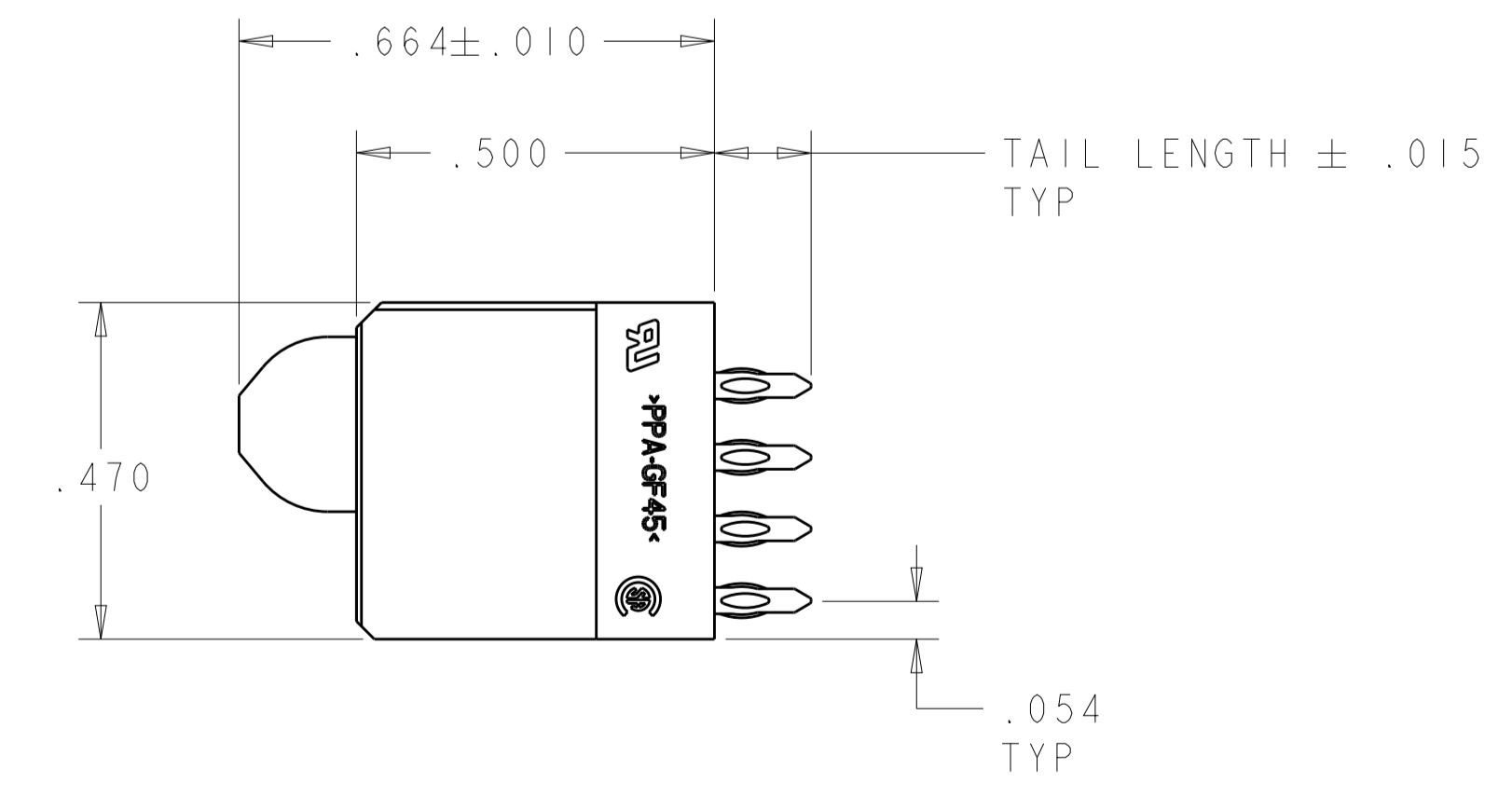
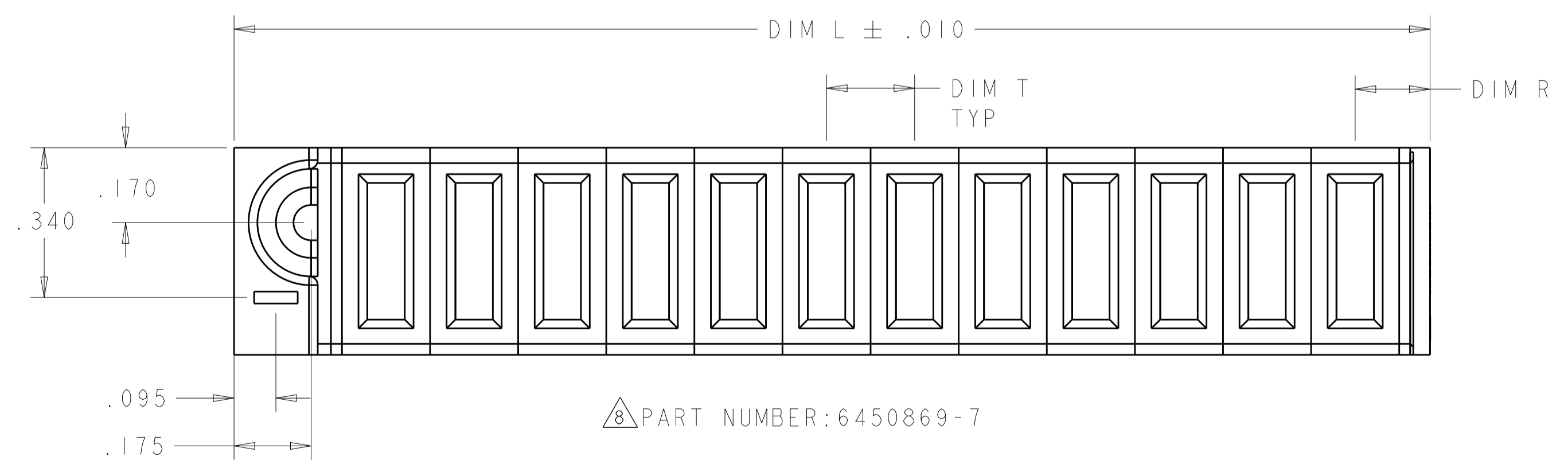
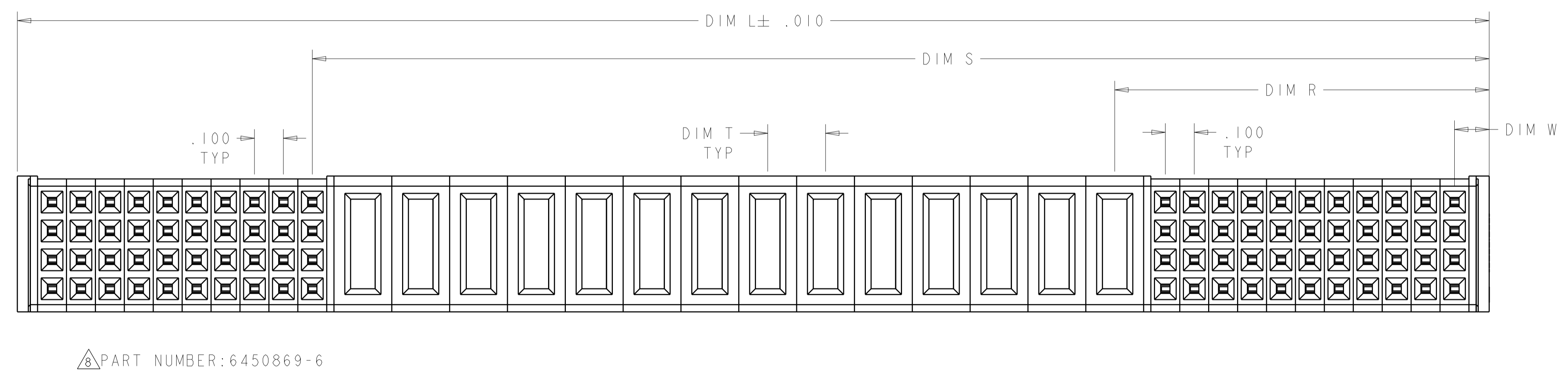
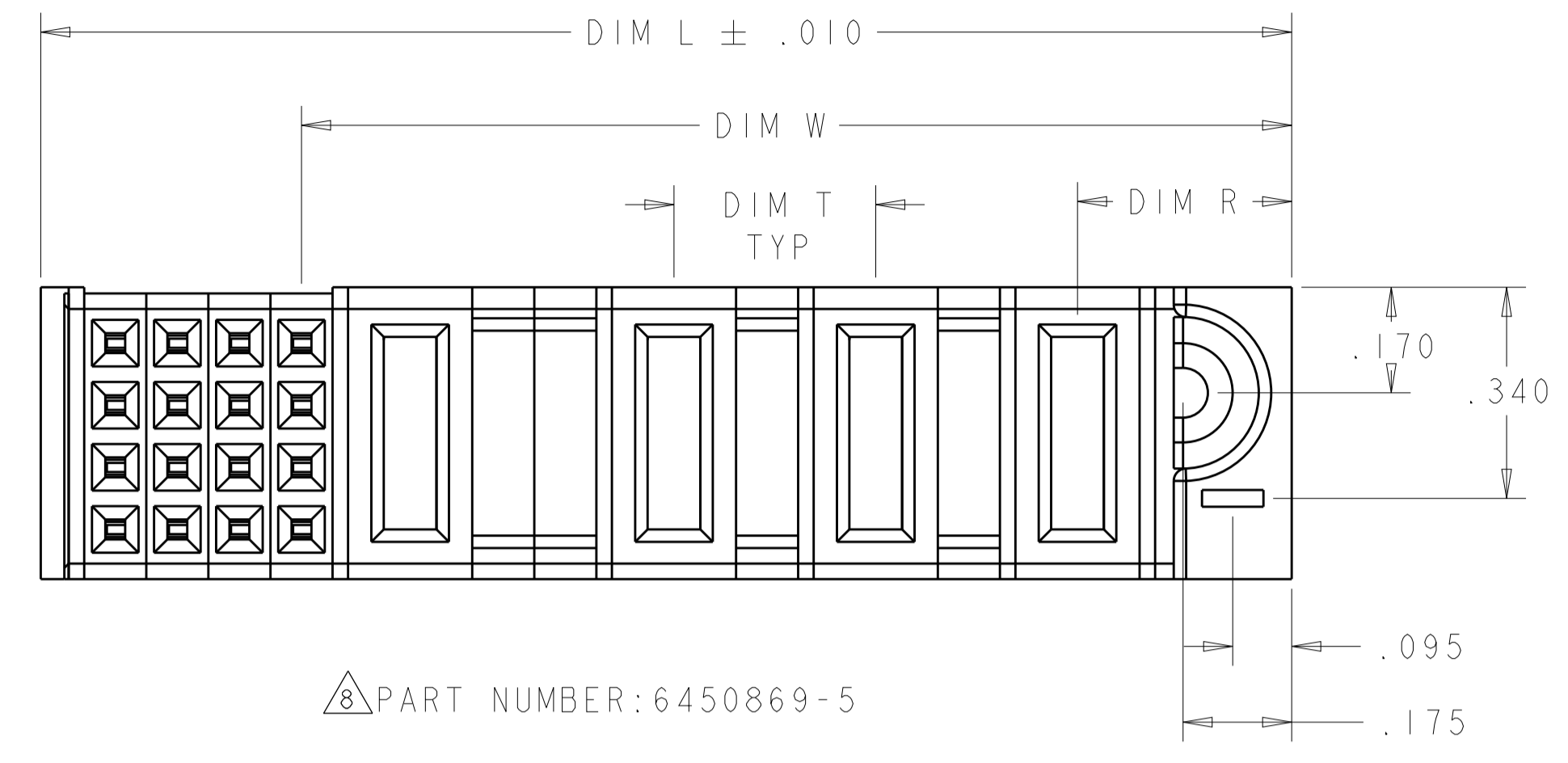
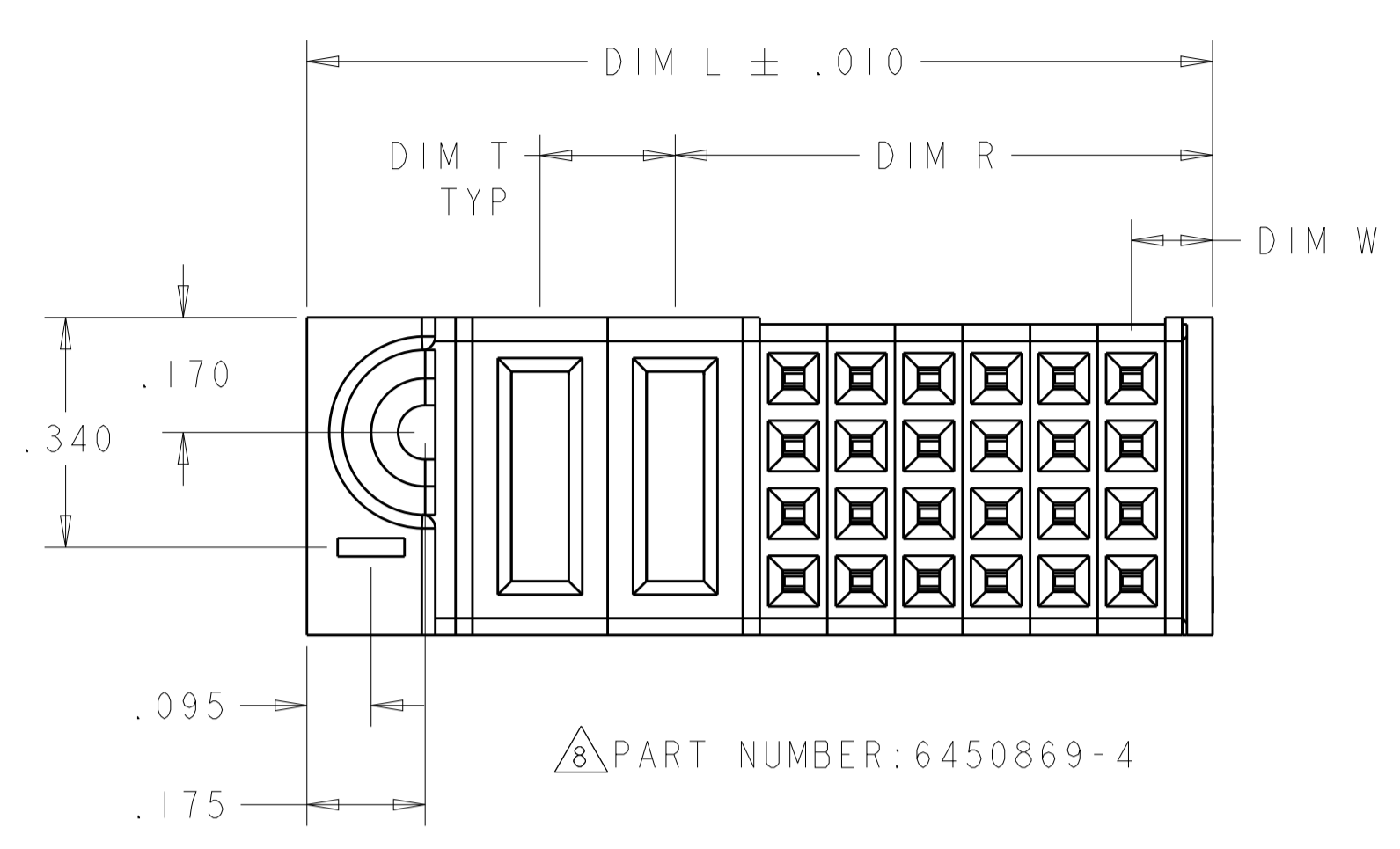
TE Connectivity

VERTICAL RECEPTACLE ASSEMBLY  
 NO GUIDES  
 MULTI-BEAM XLE

108-2292  
 114-13038  
 A100779C=6450869

SCALE 4:1 SHEET 1 OF 10 REV E2

LOC		DIST		REVISIONS			
ES	00	P	LTN	DESCRIPTION	DATE	DWN	APVD
-	-	-	-	SEE SHEET 1	-	-	-

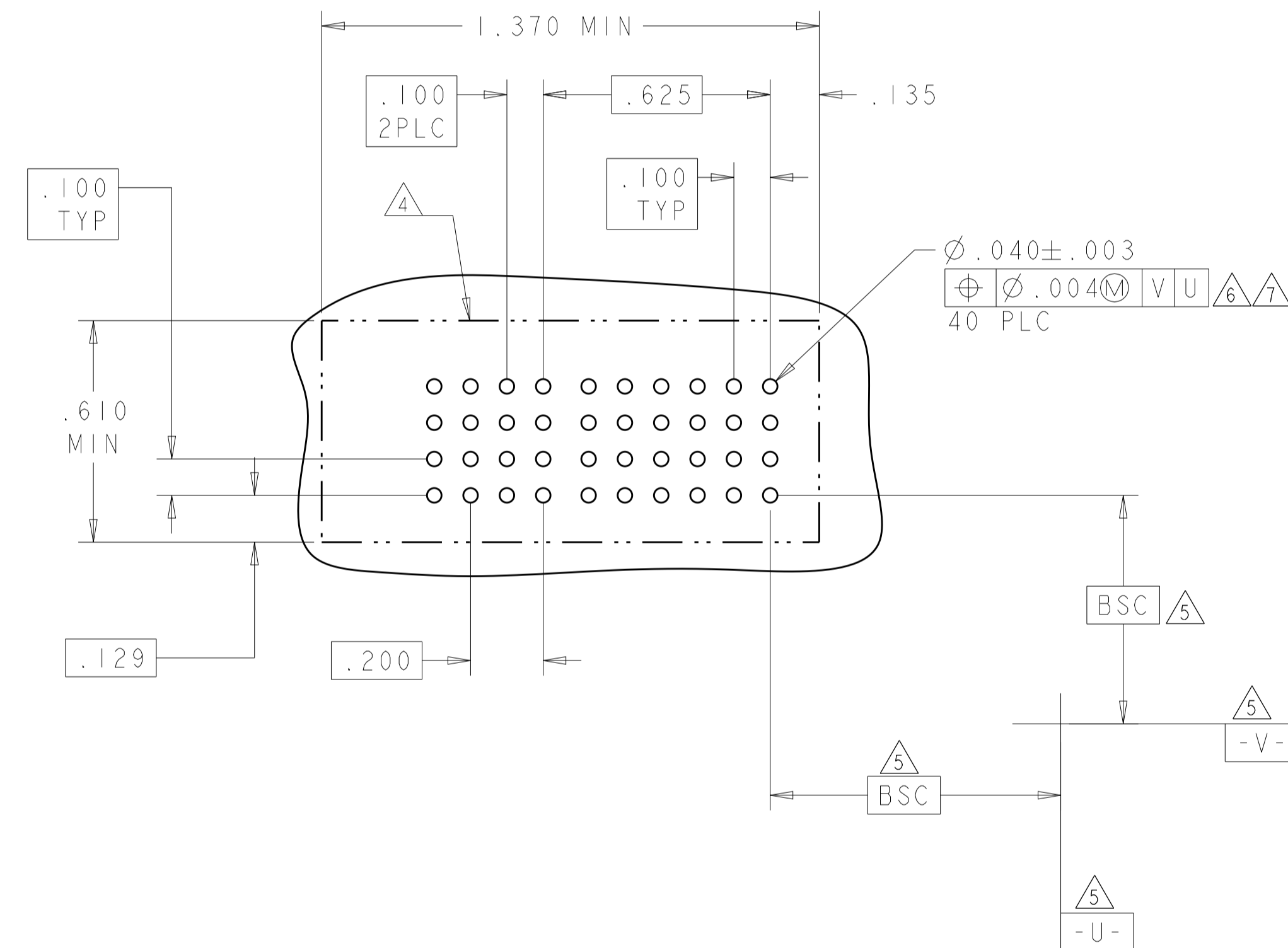
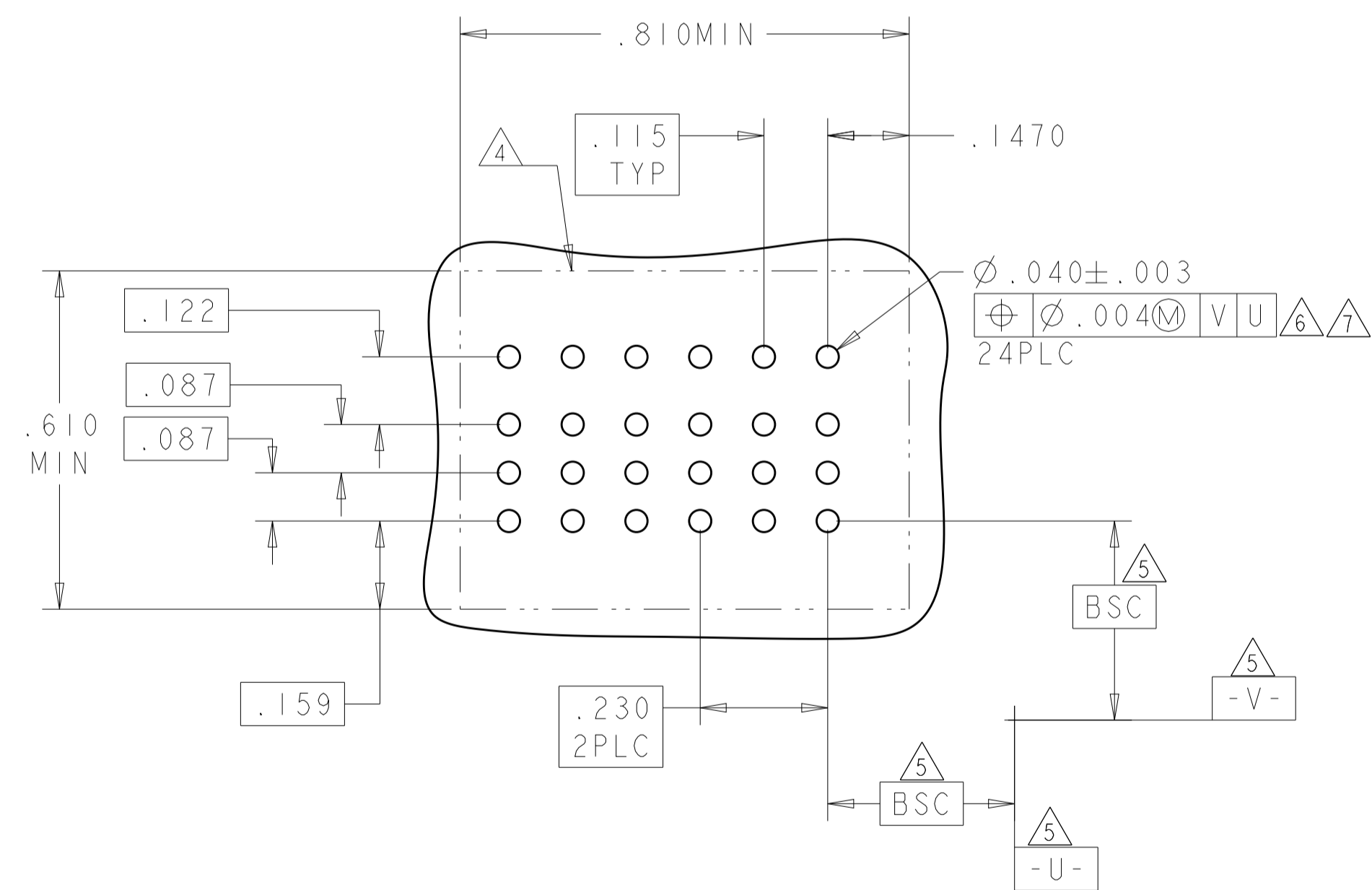


THIS DRAWING IS A CONTROLLED DOCUMENT.		DWN: H. LIU 30APR2008	TE Connectivity
DIMENSIONS: INCHES		CHK: S. ZHAO 30APR2008	
TOLERANCES UNLESS OTHERWISE SPECIFIED:		APVD: S. YAO	NAME: VERTICAL RECEPTACLE ASSEMBLY
0 PLC ± .		PRODUCT SPEC: 108-2292	NO GUIDES
1 PLC ± .01		APPLICATION SPEC: 114-13038	MULTI-BEAM XLE
2 PLC ± .05		SIZE: A1	CAGE CODE: 6450869
3 PLC ± .0020		WEIGHT: -	RESTRICTED TO: -
4 PLC ± .0020		CUSTOMER DRAWING	SCALE: 4:1 SHEET 2 OF 10 REV: E2
ANGLES ± .0020			
FINISH: -			

LOC	DIST	REV	DATE	BY	CHK	APPD
ES	00					

PART NUMBER	POWER					
	LP6	LP5	LP4	LP3	LP2	LP1
6450869-1	LSI	LSI	LSI	LSI	LSI	LSI
6 LP						

PART NUMBER	ROWS	POWER		SIGNAL						
		P2	PI	6	5	4	3	2	1	
6450869-4	D	GP	GS	AP	AP	AP	AP	AP	AP	
	C			AP	AP	AP	AP	AP	AP	
	B			AP	AP	AP	AP	AP	AP	
	A			AP	AP	AP	AP	AP	AP	
24S + 2P										



P	.115 TAIL LENGTH, PRESS FIT, SIGNAL
AP	.135 TAIL LENGTH, PRESS FIT, SIGNAL
VP	MFBL .115 TAIL LENGTH, PRESS FIT, POWER
VS	STD .115 TAIL LENGTH, PRESS FIT, POWER
GP	MFBL .135 TAIL LENGTH, PRESS FIT, POWER
GS	STD .135 TAIL LENGTH, PRESS FIT, POWER
LSI	STD .135 TAIL LENGTH, PRESS FIT, POWER
CODE	PRESS FIT
POWER CONTACT	

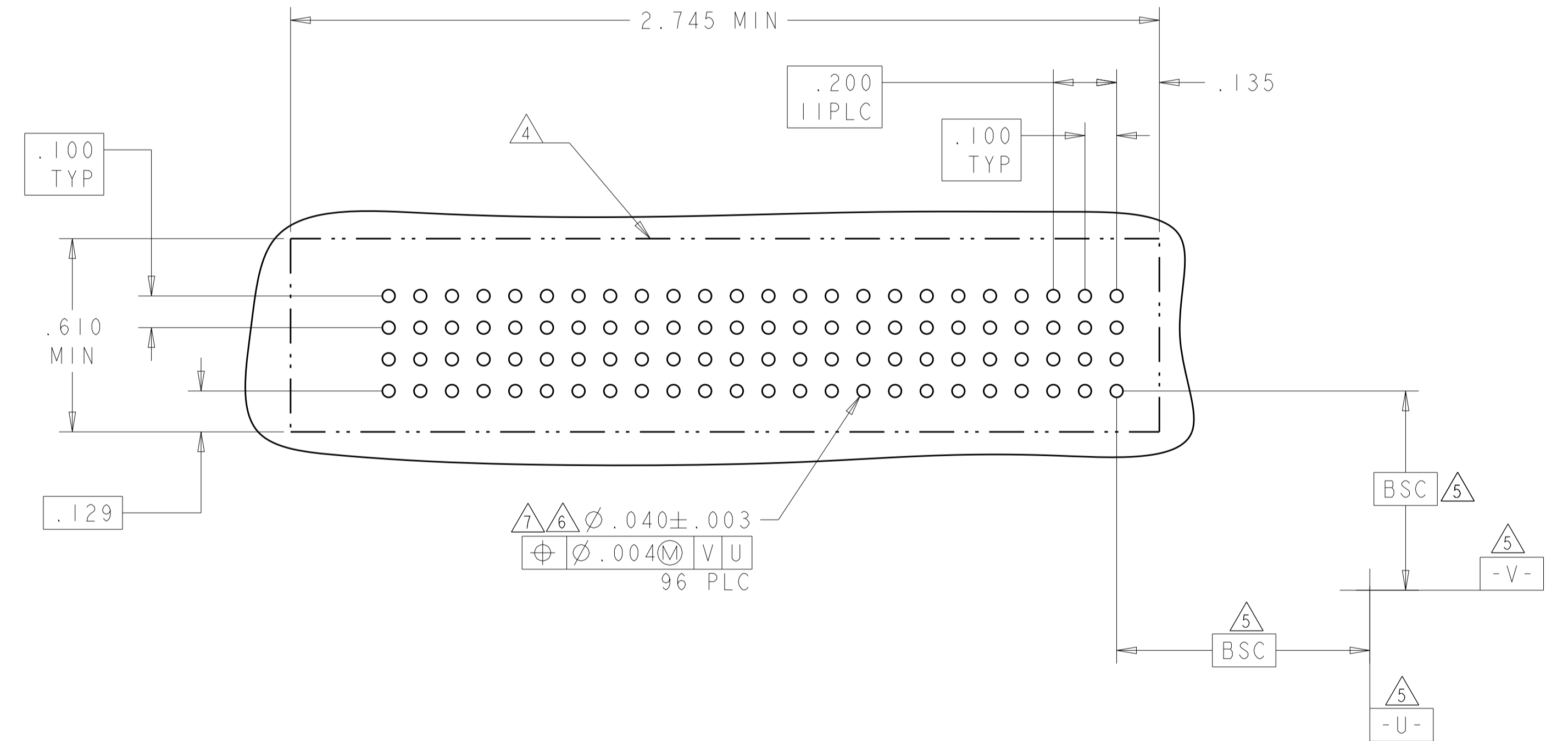
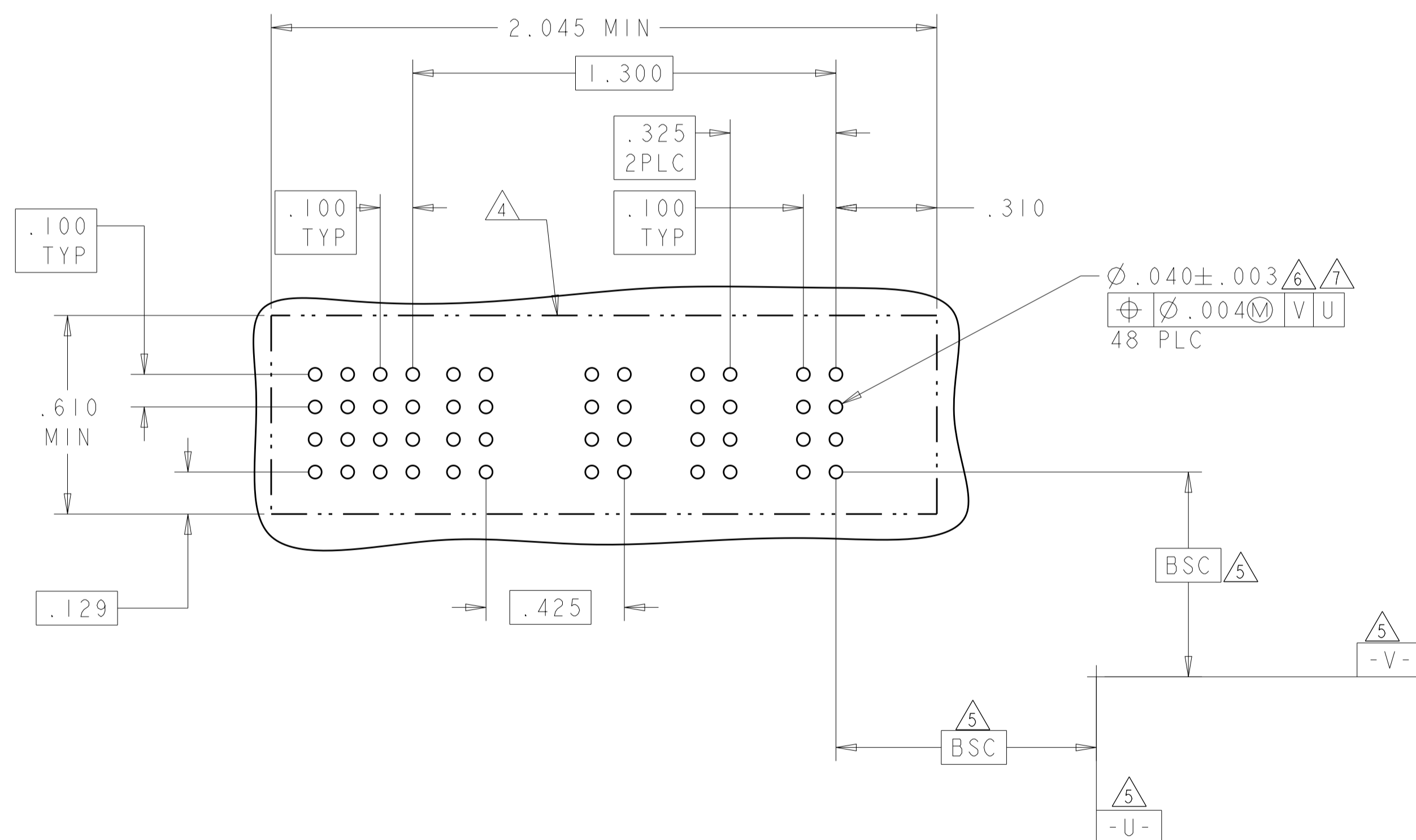
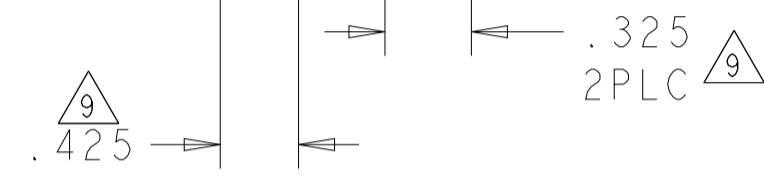
DIMENSIONS:		TOLERANCES UNLESS OTHERWISE SPECIFIED:	
INCHES		0 PLC	±
		1 PLC	±.01
		2 PLC	±.02
		3 PLC	±.03
		4 PLC	±.04
		5 PLC	±.05
		6 PLC	±.06
		7 PLC	±.07
		8 PLC	±.08
		9 PLC	±.09
		10 PLC	±.10
		ANGLES	±.020
		FINISH	μm

THIS DRAWING IS A CONTROLLED DOCUMENT.		OWN	H.LIU	30APR2008
		CHK	S.ZHAO	30APR2008
		APPD	S.YAO	
		NAME	VERTICAL RECEPTACLE ASSEMBLY	
		PRODUCT SPEC	NO GUIDES	
		APPLICATION SPEC	MULTI-BEAM XLE	
		SIZE	CAGE CODE	DRAWING NO
		114-13038	A100779	6450869
		WEIGHT	-	
		CUSTOMER DRAWING	SCALE 4:1 SHEET 3 OF 10 REV E2	

LOC	DIST	REVISIONS			
P	LTN	DESCRIPTION	DATE	DMN	APVD
ES	00	SEE SHEET 1	-	-	-

PART NUMBER	ROWS	SIGNAL				POWER			
		4	3	2	1	P4	P3	P2	P1
6450869-5	D	AP	AP	AP	AP	GP	GS	GS	GS
	C	AP	AP	AP	AP				
	B	AP	AP	AP	AP				
	A	AP	AP	AP	AP				
4P + 16S									

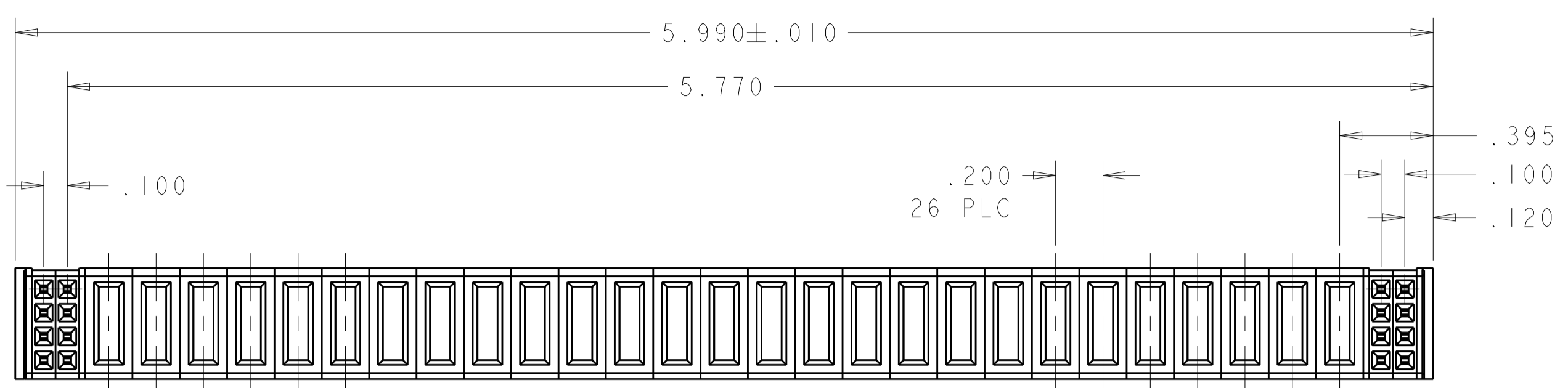
PART NUMBER	POWER											
	P12	P11	P10	P9	P8	P7	P6	P5	P4	P3	P2	P1
6450869-7	GS	GS	GP	GS	GS	GS	GS	GS	GP	GS	GS	GS
12P												



THIS DRAWING IS A CONTROLLED DOCUMENT.		DMN: H.LIU 30APR2008	TE Connectivity
DIMENSIONS: INCHES		CHK: S.ZHAO 30APR2008	
TOLERANCES UNLESS OTHERWISE SPECIFIED:		APVD: S.YAO	NAME: VERTICAL RECEPTACLE ASSEMBLY
0 PLC ±. 1 PLC ±. 2 PLC ±.01 3 PLC ±.005 4 PLC ±.0020 ANGLES ±.7°		PRODUCT SPEC: 108-2292	NO GUIDES
MATERIAL: -		APPLICATION SPEC: 114-13038	MULTI-BEAM XLE
FINISH: -		SIZE: A1	CAGE CODE: 100779
CUSTOMER DRAWING		WEIGHT: -	DRAWING NO: 6450869
SCALE: 4:1		SHEET: 4	OF: 10
REV: E2			



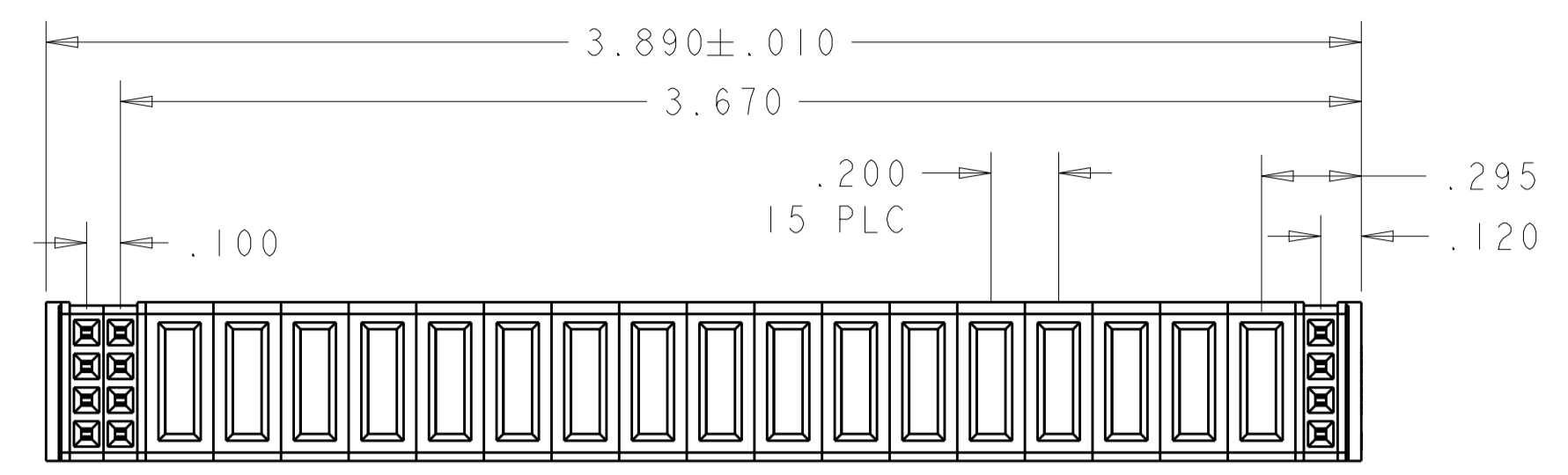
LOC	DIST	REVISIONS			
P	LTN	DESCRIPTION	DATE	OWN	APVD
-	-	SEE SHEET 1	-	-	-



PART NUMBER: 6450869-2

PART NUMBER	ROWS	SIGNAL		POWER																		SIGNAL									
		4	3	P27	P26	P25	P24	P23	P22	P21	P20	P19	P18	P17	P16	P15	P14	P13	P12	P11	P10	P9	P8	P7	P6	P5	P4	P3	P2	P1	2
6450869-2	D	P	P	VS	VS	VS	VS	VS	VS	VS	VS	VS	VS	VS	VS	VS	VS	VS	VS	VS	VS	VS	VS	VS	VS	VS	VS	VS	VS	P	P
	C	P	P																											P	P
	B	P	P																											P	P
	A	P	P																											P	P

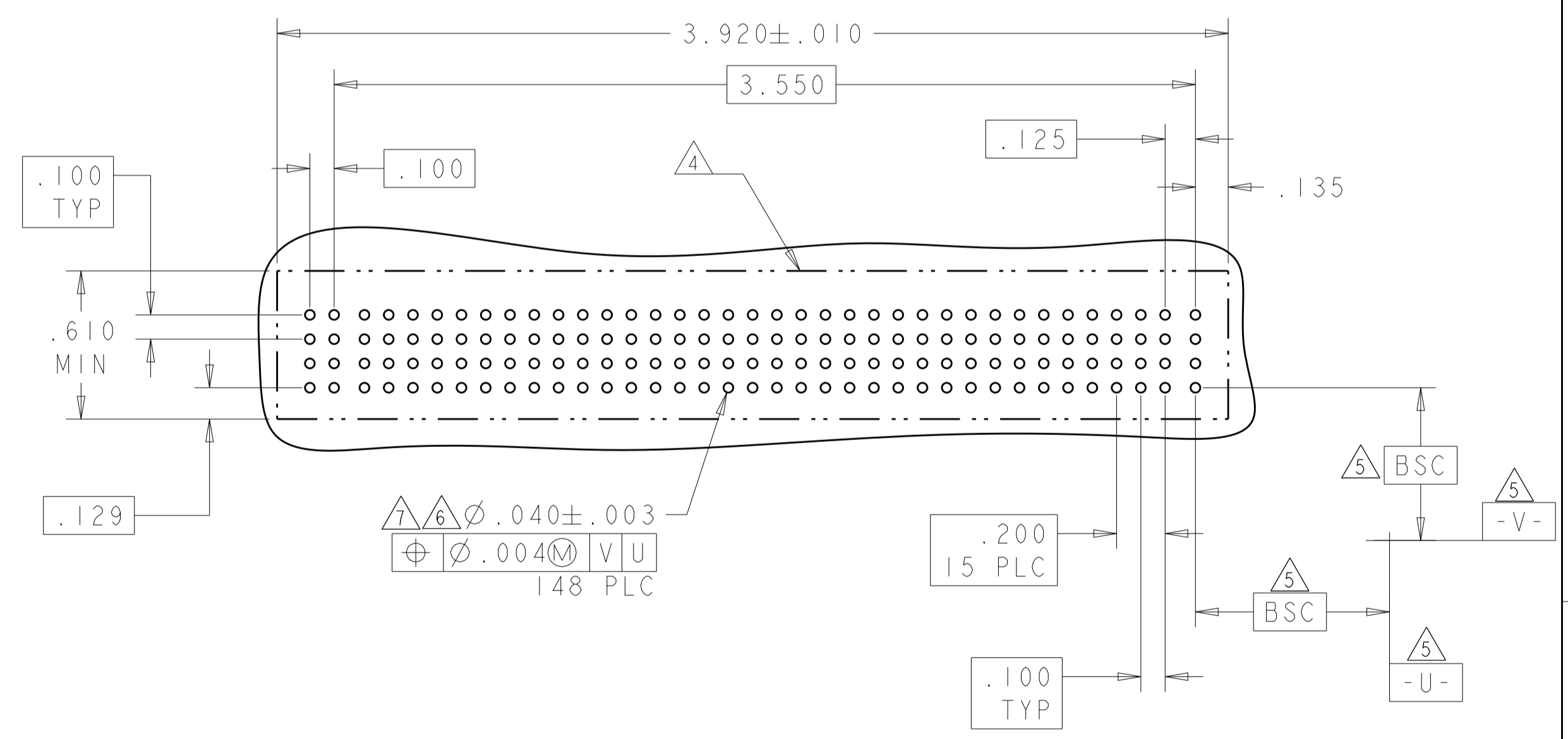
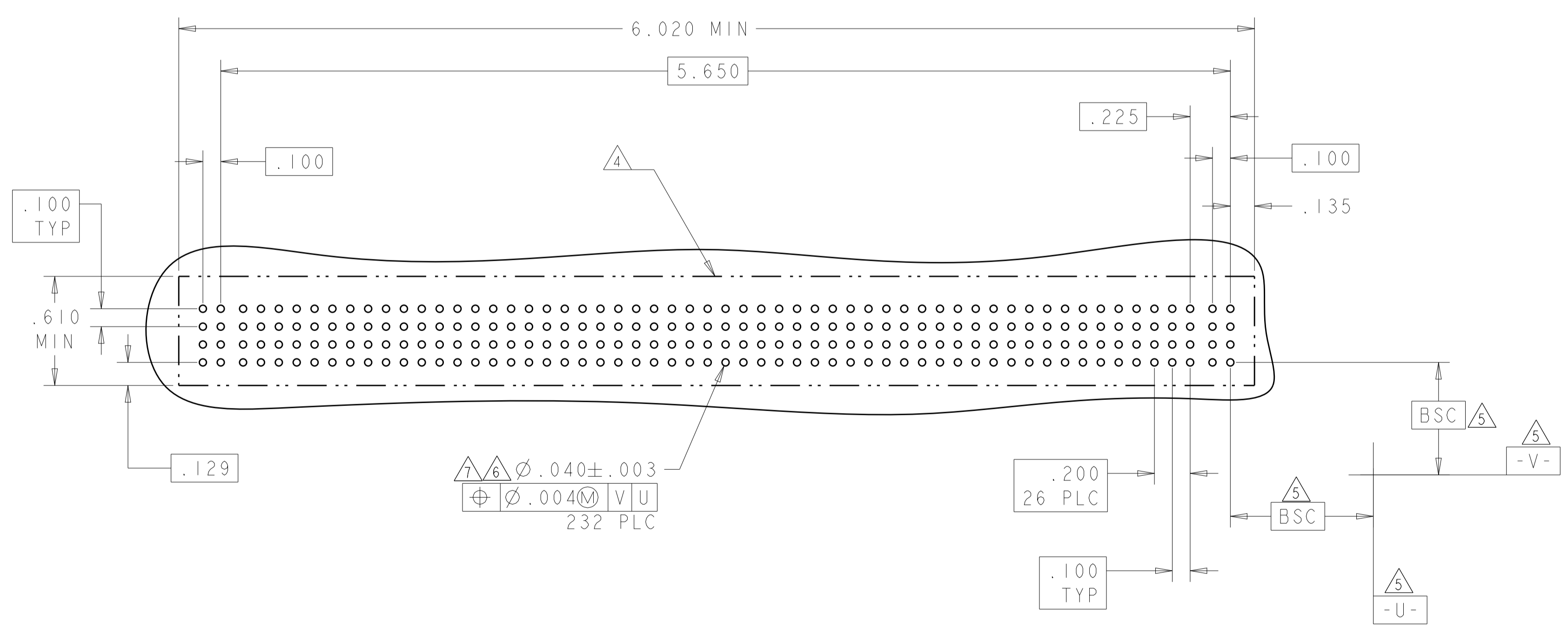
8S + 27P + 8S



PART NUMBER: 6450869-3

PART NUMBER	ROWS	SIGNAL		POWER																		S									
		3	2	P17	P16	P15	P14	P13	P12	P11	P10	P9	P8	P7	P6	P5	P4	P3	P2	P1	I										
6450869-3	D	P	P	VS	VS	VS	VS	VS	VS	VS	VS	VS	VS	VS	VS	VS	VS	VS	VS	VS	VS	VS	VS	VS	VS	VS	VS	VS	VS	P	P
	C	P	P																											P	P
	B	P	P																											P	P
	A	P	P																											P	P

4S + 17HDP + 8S



THIS DRAWING IS A CONTROLLED DOCUMENT. DWG: H.LIU 30APR2008  
 CHK: S.ZHAO 30APR2008  
 APVD: S.YAO

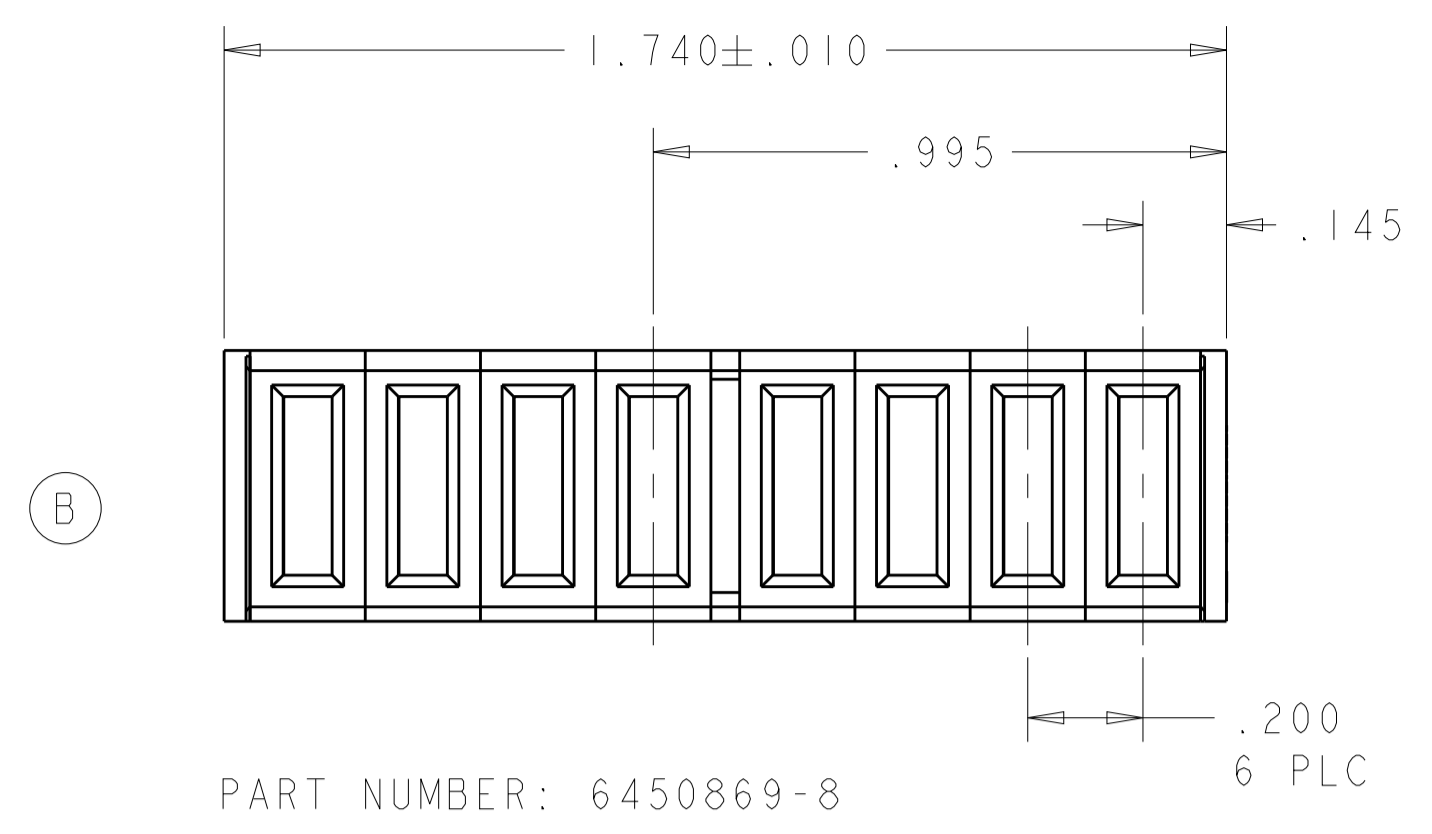
TE Connectivity

VERTICAL RECEPTACLE ASSEMBLY  
 NO GUIDES  
 MULTI-BEAM XLE

SIZE: A1 CAGE CODE: 114-13038 DRAWING NO: 100779 ©=6450869  
 CUSTOMER DRAWING SCALE: 4:1 SHEET: 6 OF 10 REV: E2

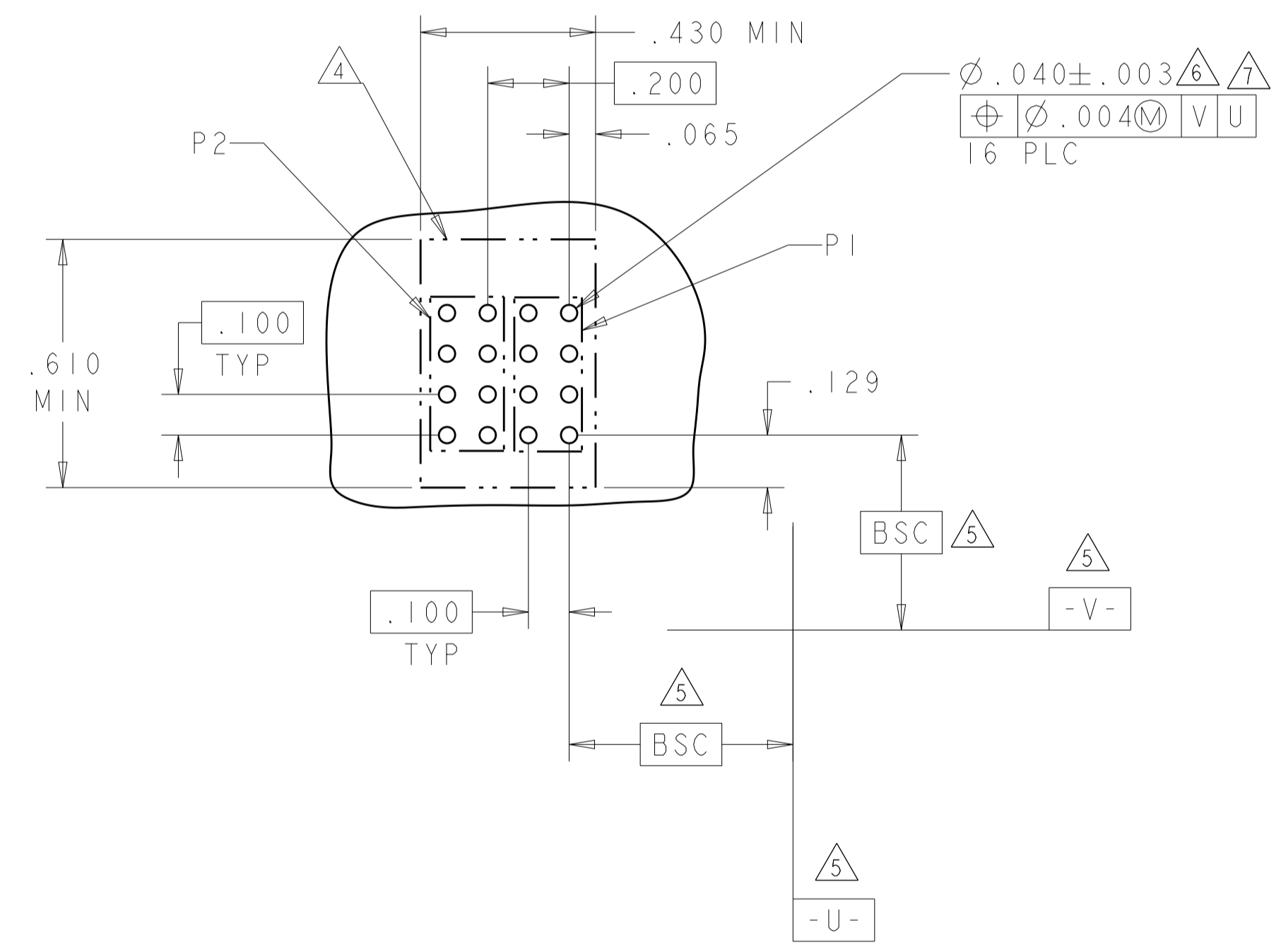
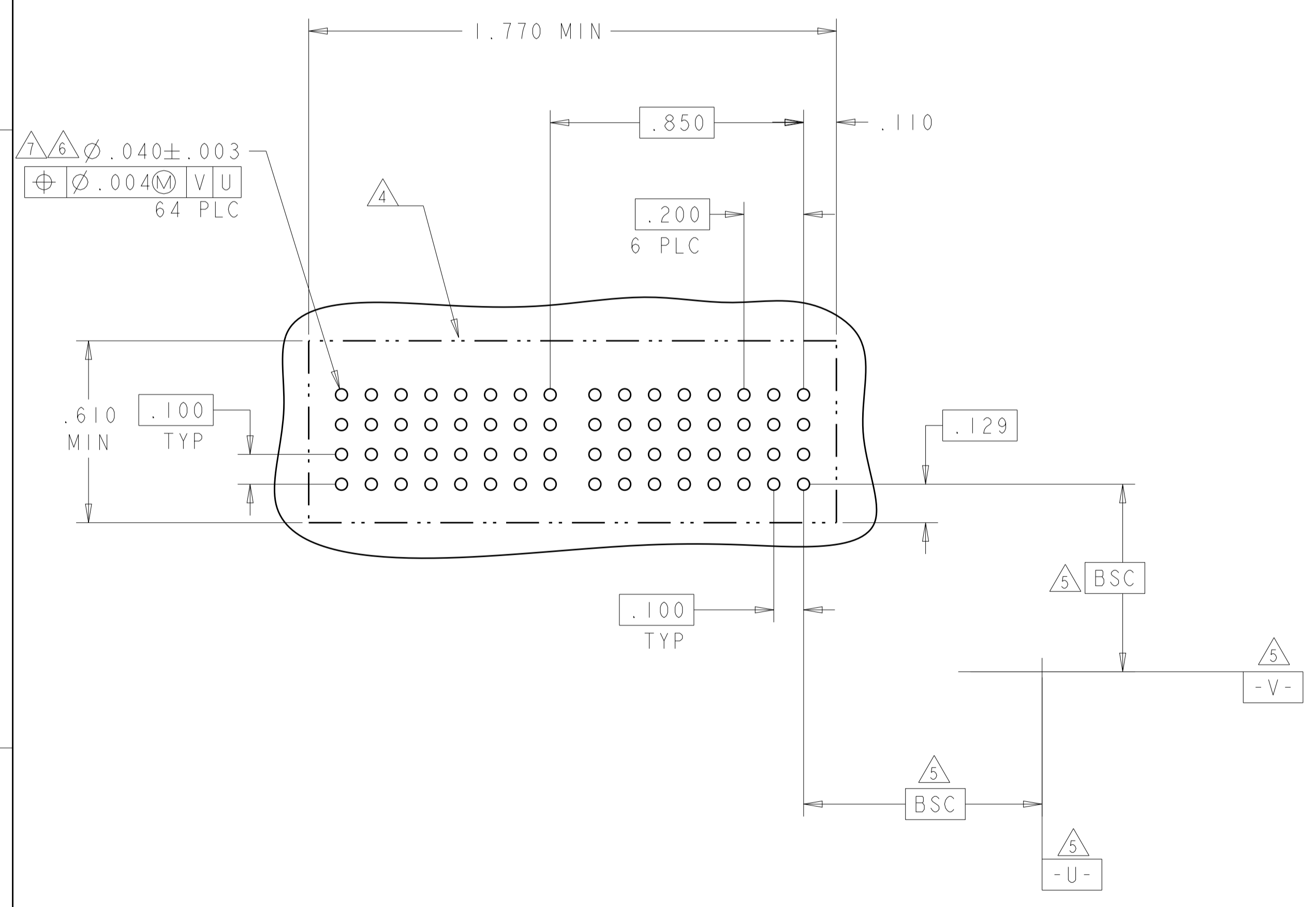
DIMENSIONS:	TOLERANCES UNLESS OTHERWISE SPECIFIED:
INCHES	0 PLC ±.01 1 PLC ±.01 2 PLC ±.01 3 PLC ±.005 4 PLC ±.002 ANGLES ±.02

LOC	DIST	REVISIONS			
P	LTN	DESCRIPTION	DATE	DWN	APVD
-	-	SEE SHEET 1	-	-	-



PART NUMBER	POWER	
	P2	P1
1-6450869-3	GP	GS
2P		

PART NUMBER	ROWS	POWER							
		P8	P7	P6	P5	P4	P3	P2	P1
6450869-8	D								
	C	GS	GS	GS	GS	GS	GS	GS	GS
	B								
	A								
8P									

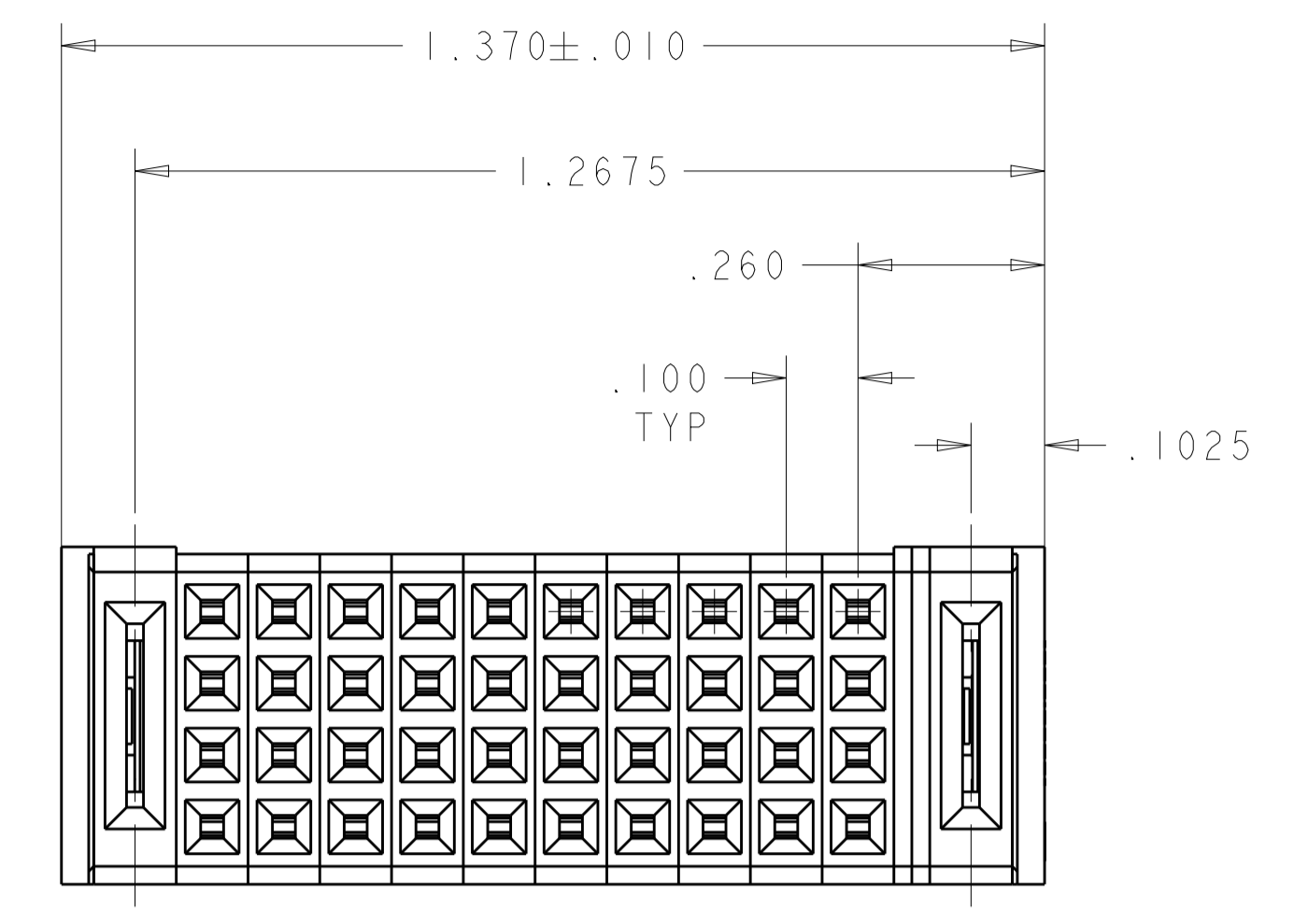
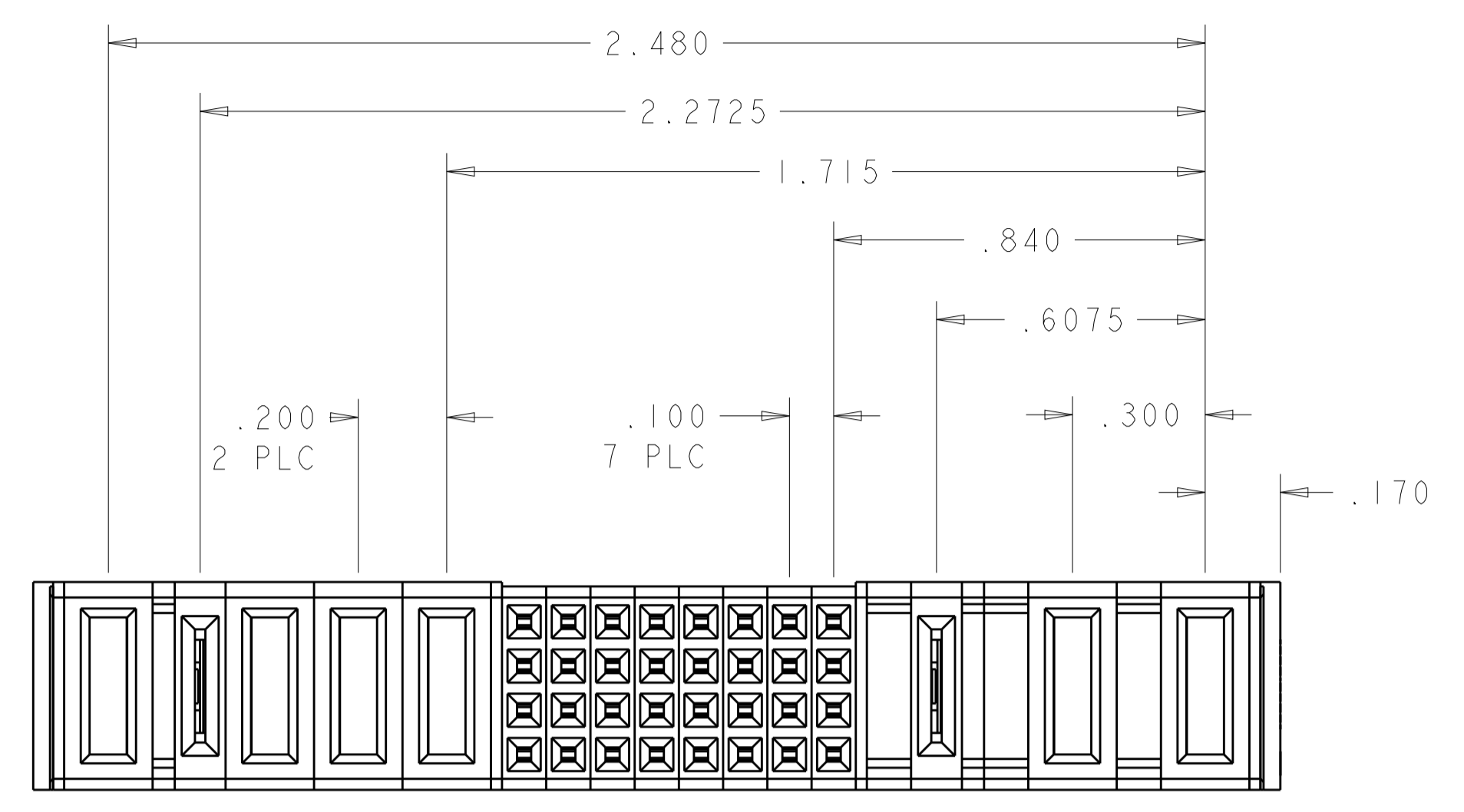


THIS DRAWING IS A CONTROLLED DOCUMENT. DWN: H.LIU 30APR2008, CHK: S.ZHAO 30APR2008, APVD: S.YAO

DIMENSIONS: INCHES	TOLERANCES UNLESS OTHERWISE SPECIFIED:	0 PLC ±.01, 1 PLC ±.01, 2 PLC ±.01, 3 PLC ±.005, 4 PLC ±.0020, ANGLES ±.2°	NAME: VERTICAL RECEPTACLE ASSEMBLY NO GUIDES MULTI-BEAM XLE
MATERIAL: -	FINISH: -	WEIGHT: -	SIZE: A1, CAGE CODE: 6450869, DRAWING NO: 108-2292
CUSTOMER DRAWING		SCALE: 4:1	SHEET 7 OF 10, REV E2

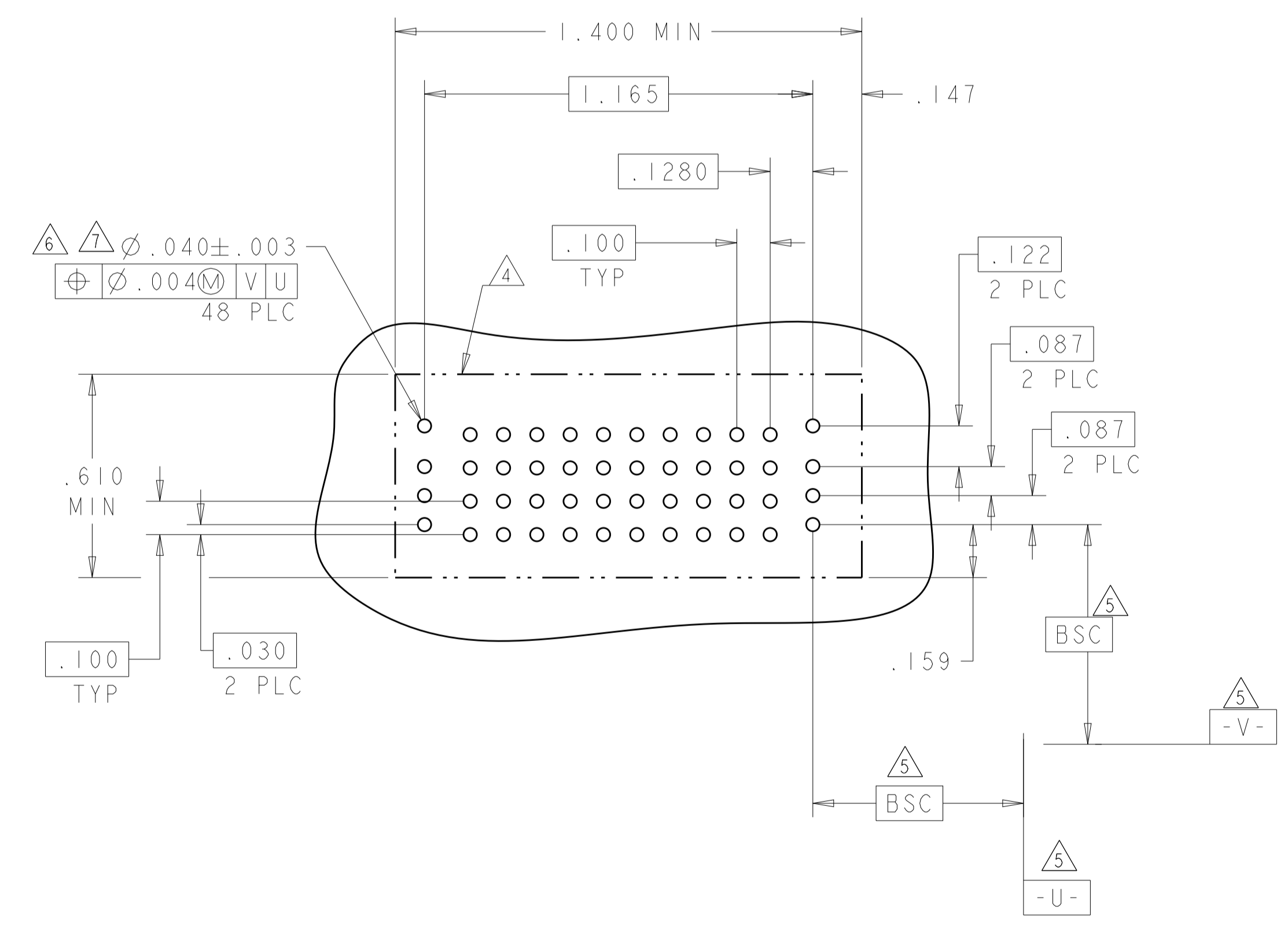
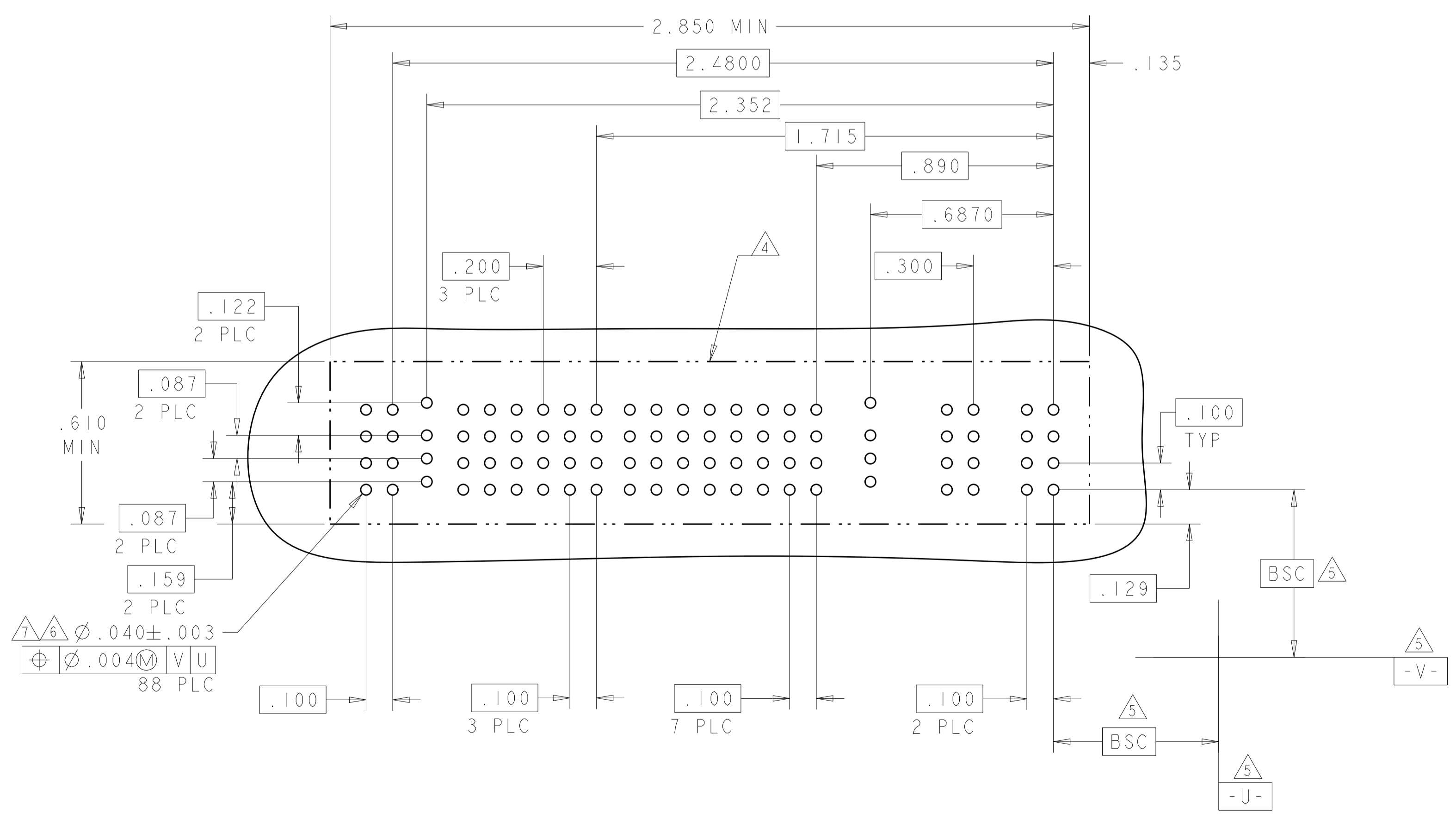
4805 (3/11)

LOC	DIST	REVISIONS			
P	LTN	DESCRIPTION	DATE	DMN	APVD
-	-	SEE SHEET 1	-	-	-



PART NUMBER	ROWS	POWER					SIGNAL										POWER		
		P6	LP2	P5	P4	P3	8	7	6	5	4	3	2	1	LPI	P2	P1		
I-6450869-4	D						AP	AP	AP	AP	AP	AP	AP	AP	AP				
	C						AP	AP	AP	AP	AP	AP	AP	AP	AP				
	B	GS	LSI	GS	GS	GS	AP	AP	AP	AP	AP	AP	AP	AP	AP	LSI	GS	GS	
	A						AP	AP	AP	AP	AP	AP	AP	AP	AP				
2ACP + 1LP + 32S + 3HDP + 1LP + 1P																			

PART NUMBER	ROWS	LOW POWER		SIGNAL										LOW POWER			
		LP2	10	9	8	7	6	5	4	3	2	1	LPI				
I-6450869-5	D		AP	AP	AP	AP	AP	AP	AP	AP	AP	AP	AP	AP	AP	AP	
	C		AP	AP	AP	AP	AP	AP	AP	AP	AP	AP	AP	AP	AP	AP	
	B		AP	AP	AP	AP	AP	AP	AP	AP	AP	AP	AP	AP	AP	AP	LSI
	A		AP	AP	AP	AP	AP	AP	AP	AP	AP	AP	AP	AP	AP	AP	
1LP + 40S + 1LP																	



THIS DRAWING IS A CONTROLLED DOCUMENT. DWN: H.LIU 30APR2008  
 CHK: S.ZHAO 30APR2008  
 APVD: S.YAO

DIMENSIONS: INCHES  
 TOLERANCES UNLESS OTHERWISE SPECIFIED:  
 0 PLC ±.  
 1 PLC ±.01  
 2 PLC ±.01  
 3 PLC ±.005  
 4 PLC ±.002  
 ANGLES ±.020  
 FINISH

MATERIAL: -  
 FINISH: -

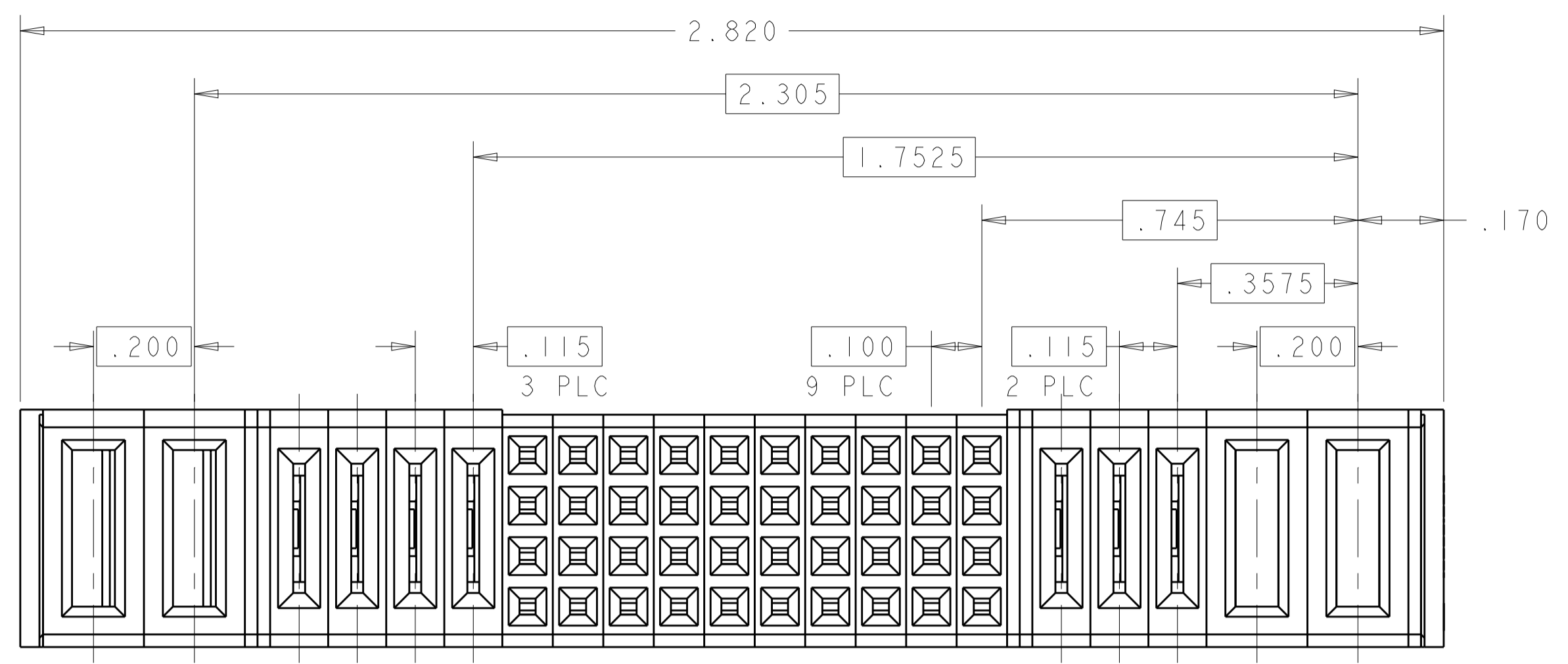
PRODUCT SPEC: 108-2292  
 APPLICATION SPEC: 114-13038  
 WEIGHT: -  
 CUSTOMER DRAWING

NAME: VERTICAL RECEPTACLE ASSEMBLY NO GUIDES MULTI-BEAM XLE  
 SIZE: A1  
 CAGE CODE: 6450869  
 SCALE: 4:1  
 SHEET: 8 OF 10  
 REV: E2

TE Connectivity

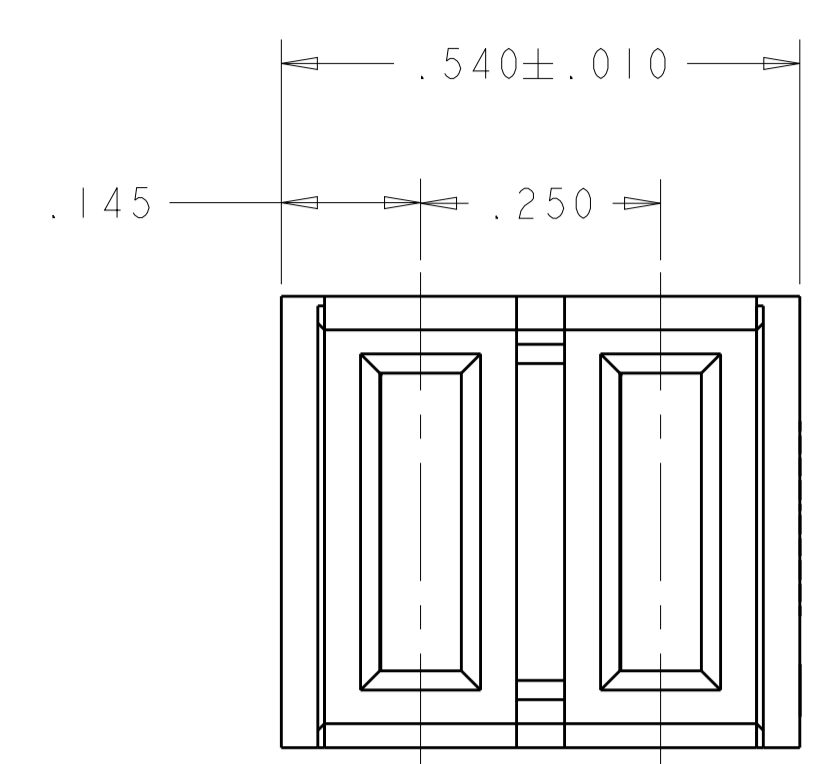


LOC		DIST		REVISIONS			
ES	00	P	LTN	DESCRIPTION	DATE	DWN	APVD
		-		SEE SHEET 1			

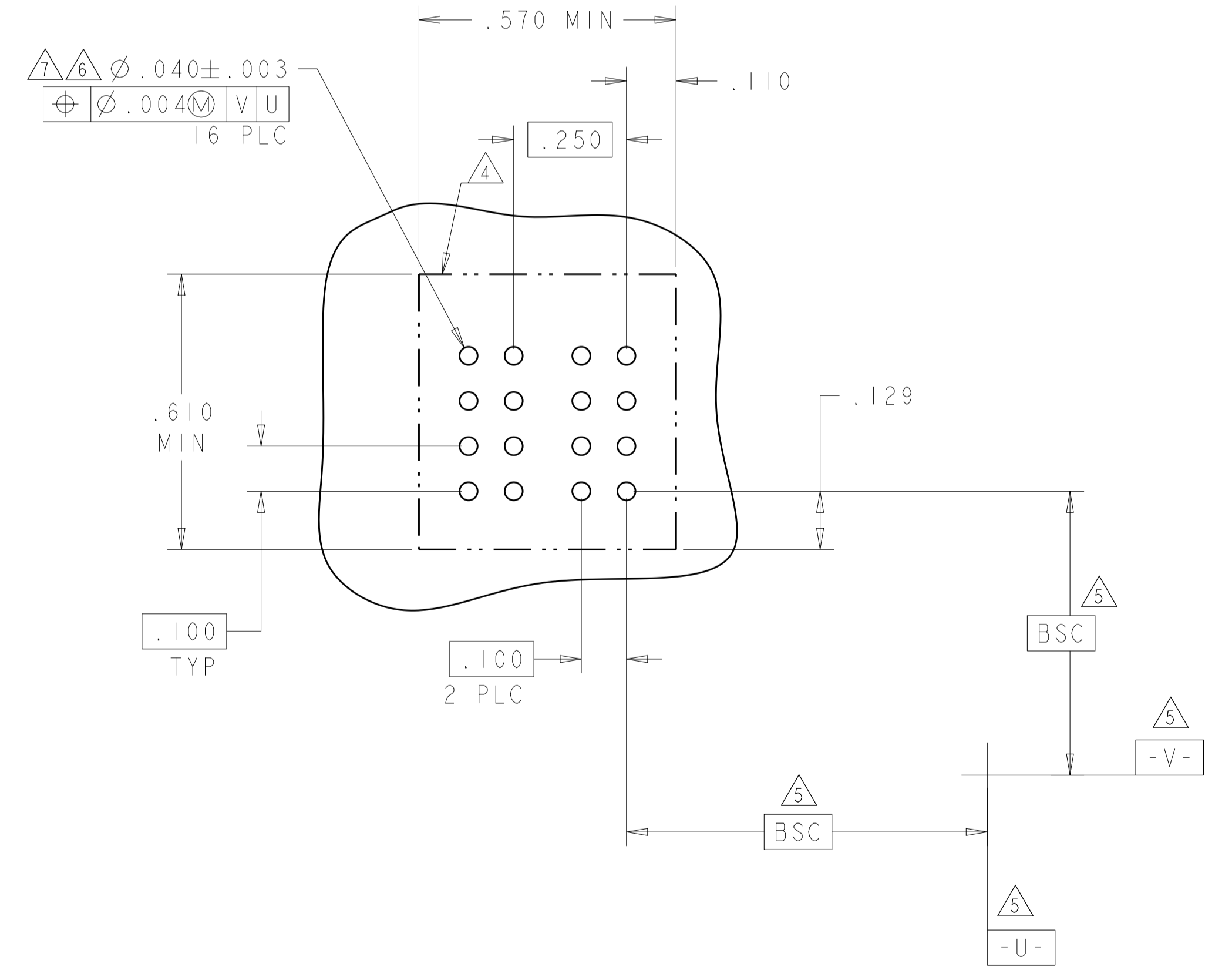
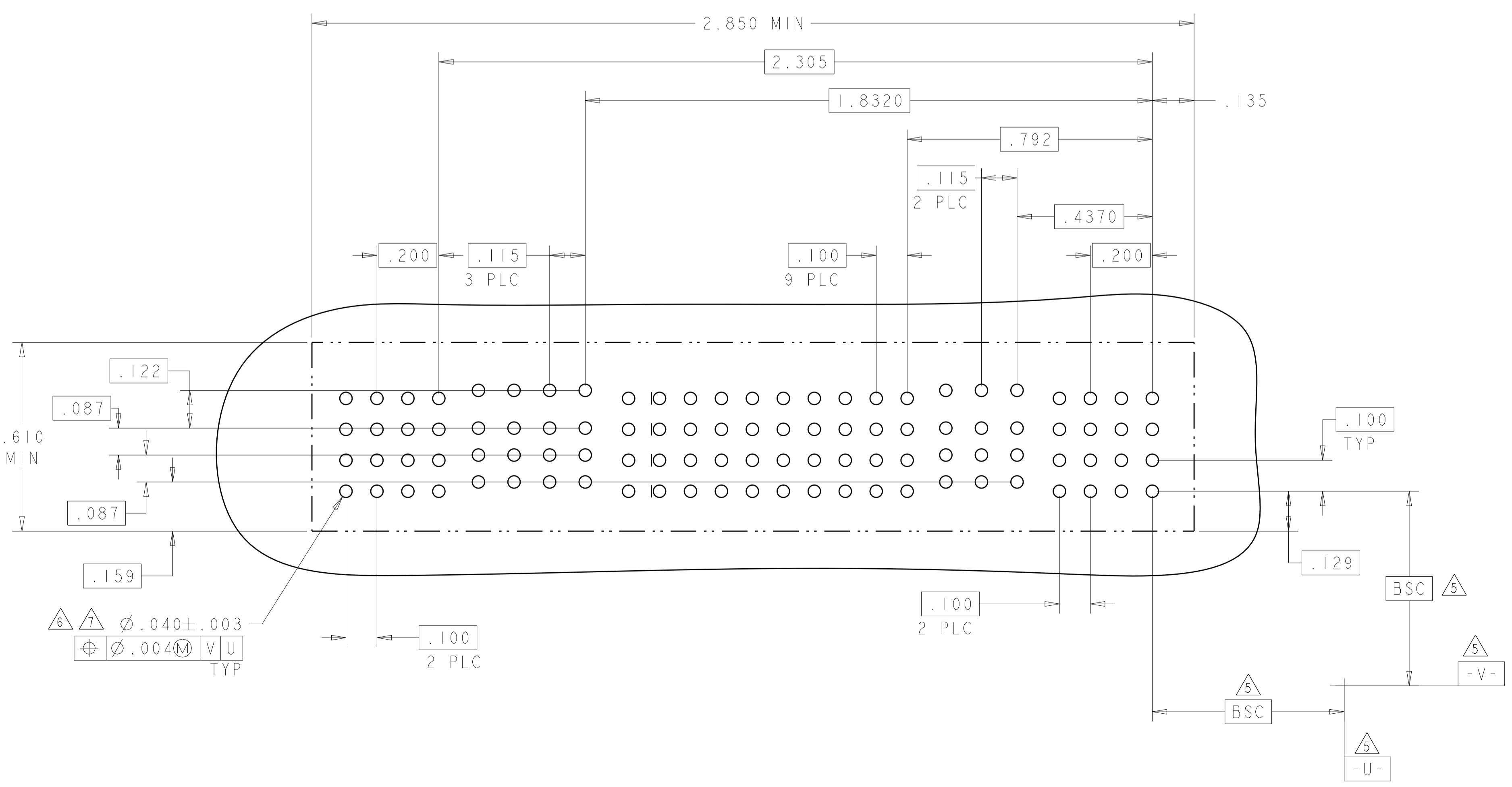


PART NUMBER	ROWS	POWER						SIGNAL										POWER					
		P4	P3	LP7	LP6	LP5	LP4	10	9	8	7	6	5	4	3	2	1	LP3	LP2	LP1	P2	P1	
1-6450869-6	D							AP	AP	AP	AP	AP	AP	AP	AP	AP	AP						
	C	GS	GS	LSI	LSI	LSI	LSI	AP	AP	AP	AP	AP	AP	AP	AP	AP	AP	LSI	LSI	LSI	GS	GS	
	B							AP	AP	AP	AP	AP	AP	AP	AP	AP	AP						
	A							AP	AP	AP	AP	AP	AP	AP	AP	AP	AP						

2HDP + 3LP + 40S + 4LP + 2HDP



PART NUMBER	POWER	
	P2	P1
1-6450869-7	GS	GS
2P		



THIS DRAWING IS A CONTROLLED DOCUMENT. DWN: H.LIU 30APR2008  
 CHK: S.ZHAO 30APR2008

DIMENSIONS: INCHES	TOLERANCES UNLESS OTHERWISE SPECIFIED:	NAME: S.YAO	PRODUCT SPEC: 108-2292
	0 PLC ±.01 1 PLC ±.01 2 PLC ±.01 3 PLC ±.005 4 PLC ±.002 ANGLES ±.020	APPLICATION SPEC: 114-13038	SIZE: A
MATERIAL:	FINISH:	WEIGHT:	CAGE CODE: 6450869

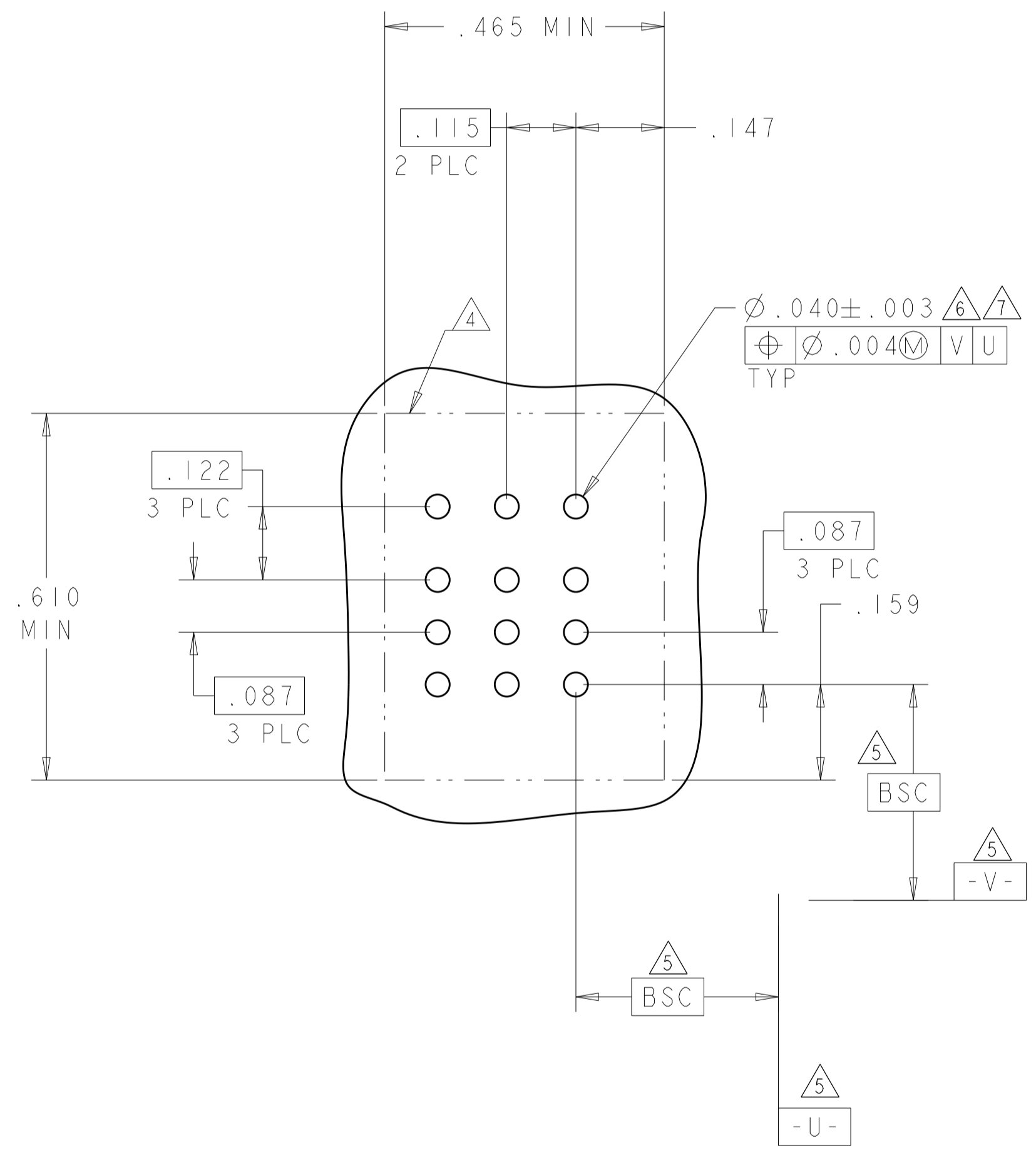
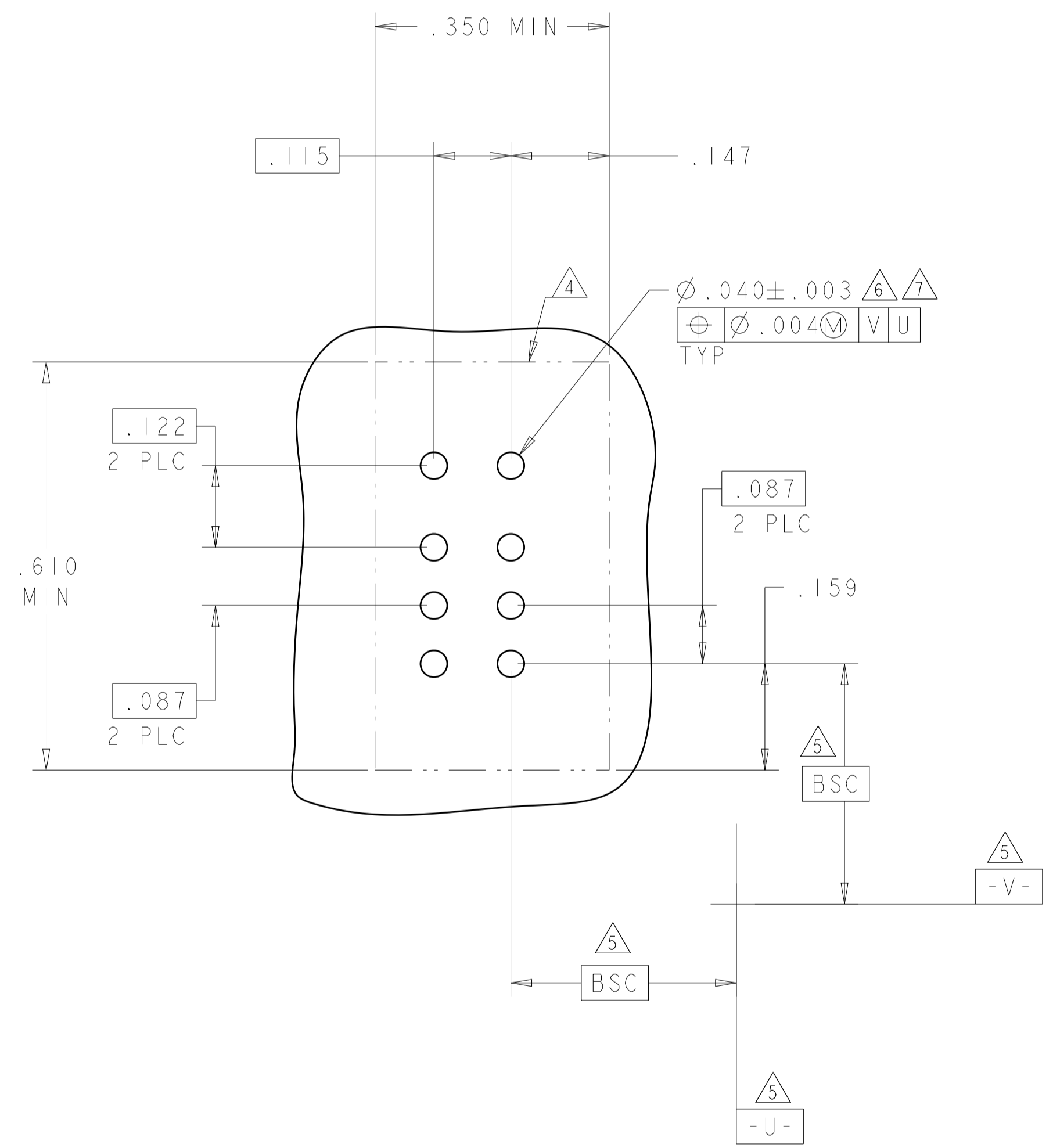
TE Connectivity  
 VERTICAL RECEPTACLE ASSEMBLY  
 NO GUIDES  
 MULTI-BEAM XLE

CUSTOMER DRAWING SCALE: 4:1 SHEET 9 OF 10 REV: E2

LOC	DIST	REVISIONS			
P	LTN	DESCRIPTION	DATE	DMN	APVD
ES	00	SEE SHEET 1	-	-	-

PART NUMBER	LOW POWER	
	LP2	LP1
2-6450869-2	LS1	LS1
2LP		

PART NUMBER	LOW POWER		
	LP3	LP2	LP1
2-6450869-3	LS1	LS1	LS1
3 LP			



THIS DRAWING IS A CONTROLLED DOCUMENT.		DMN: H.LIU 30APR2008	
DIMENSIONS: INCHES		CHK: S.ZHAO 30APR2008	
TOLERANCES UNLESS OTHERWISE SPECIFIED:		APVD: S.YAO	NAME: VERTICAL RECEPTACLE ASSEMBLY
0 PLC ±.01	1 PLC ±.01	PRODUCT SPEC: 108-2292	NO GUIDES
2 PLC ±.005	3 PLC ±.005	APPLICATION SPEC: 114-13038	MULTI-BEAM XLE
4 PLC ±.0020	ANGLES ±.7°	SIZE: A1	CAGE CODE: 6450869
MATERIAL: -	FINISH: -	WEIGHT: -	RESTRICTED TO: -
CUSTOMER DRAWING		SCALE: 4:1	SHEET 10 OF 10

# Mouser Electronics

Authorized Distributor

Click to View Pricing, Inventory, Delivery & Lifecycle Information:

[TE Connectivity:](#)

[1-6450869-3](#)