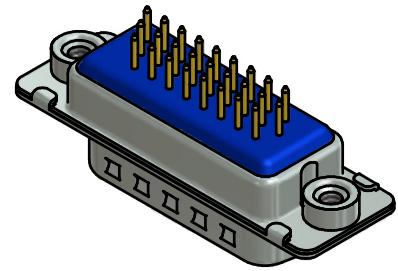
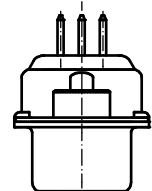
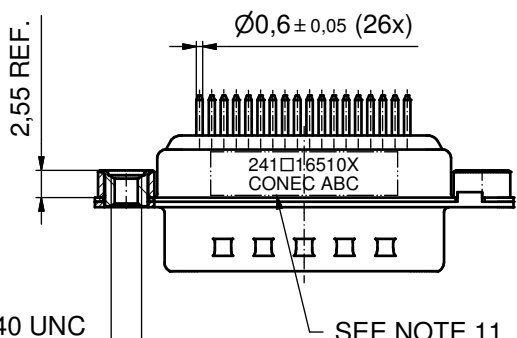
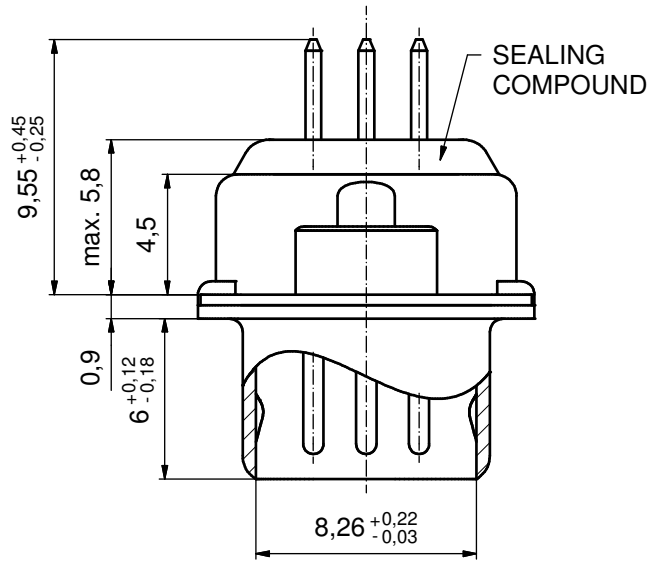
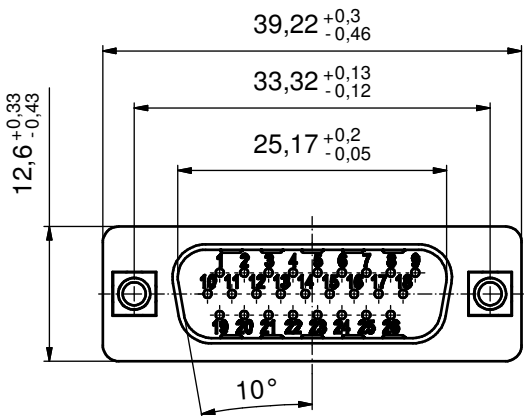


P.C.B. HOLE DRILLINGS
 (P.C.B. TOP SIDE)



(5:1)



NOTES:

1. RoHS COMPLIANT
2. FOR WAVESOLDERING (SOLDER BATH TEMPERATURE 260°C FOR 5 SEC. AND SOLDER PREHEAT 100°C FOR 30 SEC.)
3. METALSHELLS: STEEL; min. 315µin TIN over 40-80µin NICKEL
4. INSULATORS: HIGH TEMPERATURE PLASTIC UL 94 V-0, BLACK
5. CONTACTS: COPPER ALLOY; PLATING (SEE PART NO.):
 PLEASE ADD A for GOLD FLASH over NICKEL (PREFERRED TYPE)
 PLEASE ADD B for 20µin HARD GOLD over min. 50µin NICKEL
 PLEASE ADD C for 30µin HARD GOLD over min. 50µin NICKEL
 CONTACTS TAILS PRETINNED
6. THREADED INSERTS: COPPER ALLOY; min. 200µin TIN over 80µin NICKEL
7. COLLARS: COPPER ALLOY; min 200µin TIN over 80µin NICKEL
8. DIELECTRIC WITHSTANDING VOLTAGE: 300 VDC
9. CAPACITANCE: 830pF ± 20%
10. MAXIMUM TORQUE VALUE FOR THREAD: 6 in. LB
11. CONNECTOR IS PART MARKED: 241□16510X CONEC ABC (see note 5)

Directive 2002/95/EC RoHS compliant

THIS DRAWING MAY NOT BE COPIED OR REPRODUCED IN ANY WAY, AND MAY NOT BE PASSED ON TO A THIRD PARTY WITHOUT WRITTEN PERMISSION. OWNERSHIP AND COPYRIGHT OF CONEC GmbH DO NOT ALTER CAD DRAWING BY HAND	tolerance		dim. in mm		scale:	2:1 (5:1)		
					material:	SEE NOTES		
	drawn	04.01.06	Mickenbecker	title: D-SUB HD FILTER MALE 26pos. SOLDER PIN STRAIGHT with threaded spacer clip				
	appd.	04.01.06	Fischer					
	norm							
1 x b	A4800	20.06.2013	K.H.	dwg no:	24K1A738		DIN-A3	
a	Original			part no:		241□16510X (see note 5)		
rev.	description	date	name	CONEC				sh: 1

Mouser Electronics

Authorized Distributor

Click to View Pricing, Inventory, Delivery & Lifecycle Information:

[CONEC:](#)

[241A16510X](#)