

**SPECIFICATION:**

MATERIAL: ZINC, NICKEL PLATED,  
COPPER UNDER PLATE

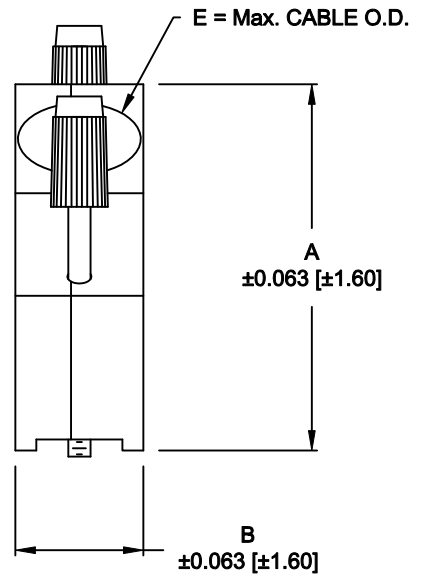
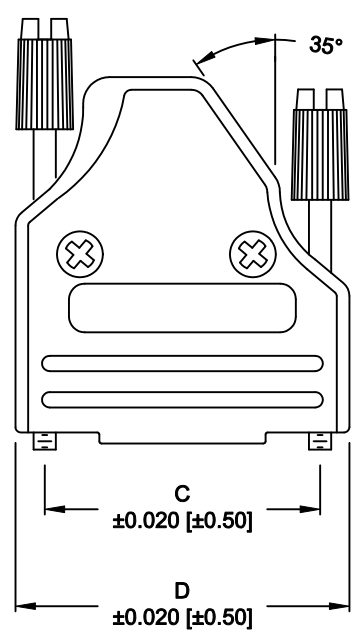
OPERATING TEMPERATURE: -40°C TO +120°C

**BACKSHELL KIT INCLUDES:**

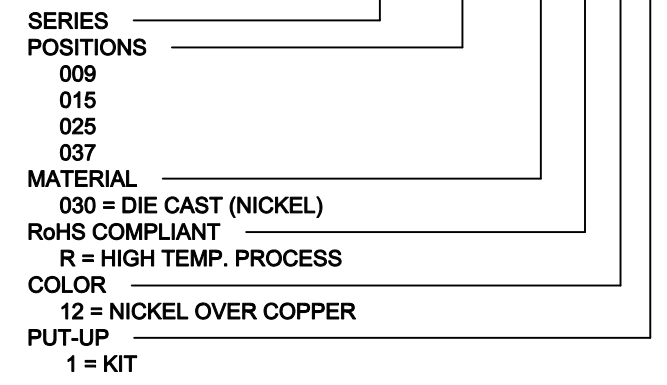
- (2) BACKSHELL HALVES
- (2) STRAIN RELIEF CLAMPS
- (2) STRAIN RELIEF SCREWS
- (2) MOUNTING SCREWS
- (2) THUMBSCREWS \*\*\*(SEE NOTE)\*\*\*
- (3-SETS) METALIZED PLASTIC INSERTS

**NOTE:**

- 9-POSITION - 1 LONG THUMBSCREW WITH PLASTIC CAP
- 15-POSITION - 1 LONG THUMBSCREW WITH PLASTIC CAP  
1 SHORT THUMBSCREW WITH METAL CAP
- 25-POSITION - 1 LONG THUMBSCREW WITH PLASTIC CAP  
1 SHORT THUMBSCREW WITH PLASTIC CAP
- 37-POSITION - 1 LONG THUMBSCREW WITH PLASTIC CAP  
1 SHORT THUMBSCREW WITH PLASTIC CAP



**953-YYY-030R121**



**DIMENSIONS (IN.)**

No. OF PINS	A	B	C	D	E
09	1.693	0.610	0.984	1.260	0.512
	43.00	15.50	24.99	32.00	13.00
15	1.693	0.610	1.312	1.591	0.512
	43.00	15.50	33.32	40.40	13.00
25	1.890	0.610	1.852	2.126	0.512
	48.00	15.50	47.04	54.00	13.00
37	2.087	0.610	2.500	2.776	0.512
	53.00	15.50	63.50	70.50	13.00

**DO NOT SCALE FROM DRAWING**

**RoHS COMPLIANT**

	THESE DRAWINGS AND SPECIFICATIONS ARE THE PROPERTY OF NorComp AND SHALL NOT BE REPRODUCED, COPIED OR USED AS THE BASIS FOR THE MANUFACTURE OF SALE OF APPARATUS WITHOUT WRITTEN PERMISSION.		DRAWN: <b>C. SMITH</b>	DATE: <b>03-26-07</b>
			CHECKED:	DATE:
<b>NorComp</b>	SCALE: <b>1:1</b>	SHEET <b>1</b>	OF <b>1</b>	REV <b>2</b>
	DWG NO. <b>953-YYY-030R121</b>			

# Mouser Electronics

Authorized Distributor

Click to View Pricing, Inventory, Delivery & Lifecycle Information:

[NorComp:](#)

[953-037-030R121](#) [953-025-030R121](#) [953-015-030R121](#) [953-009-030R121](#)