

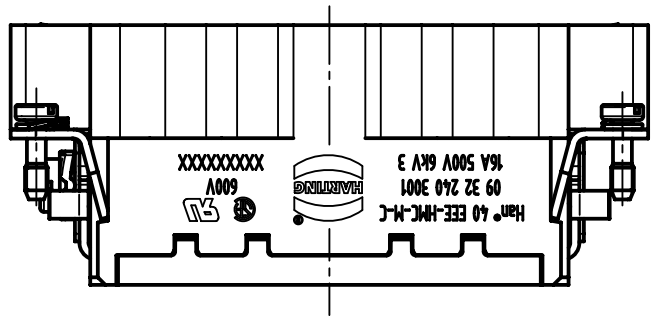
1 2 3 4 5 6

A

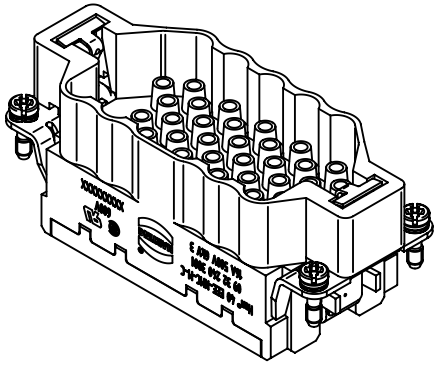
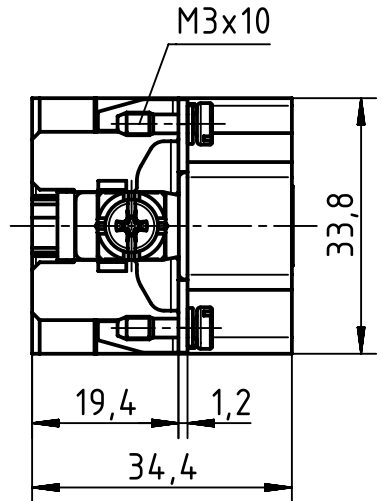
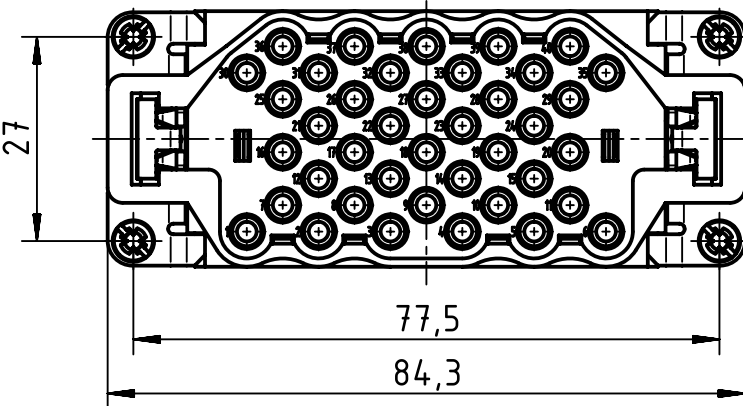
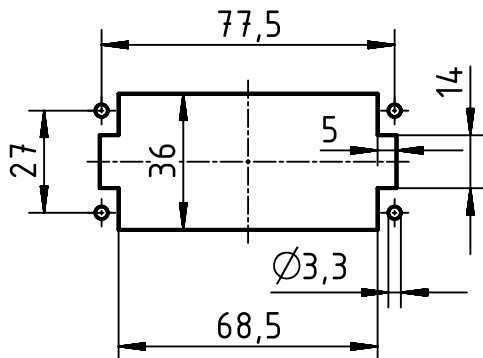
B


C

D



panel cut out (1:2)



	All rights reserved Department EL PD - DE HARTING Electric GmbH & Co. KG D-32339 Espelkamp	All Dimensions in mm Original Size DIN A4		Scale 1:1	Free size tol.	Ref. Sub.
		Created by HOLLERT	Inspected by SCHMIDTM	Standardisation TIEMANNA	Date 2016-04-20	State Final Release
Title Han 40EEE HMC-M-Crimp					Doc-Key / ECM-Nr. 100535685/UGD/001/B 500000103373	
Type TB		Number 09 32 240 3001		Rev. B	Page 1/1	

# Mouser Electronics

Authorized Distributor

Click to View Pricing, Inventory, Delivery & Lifecycle Information:

[HARTING:](#)

[09322403001](#)