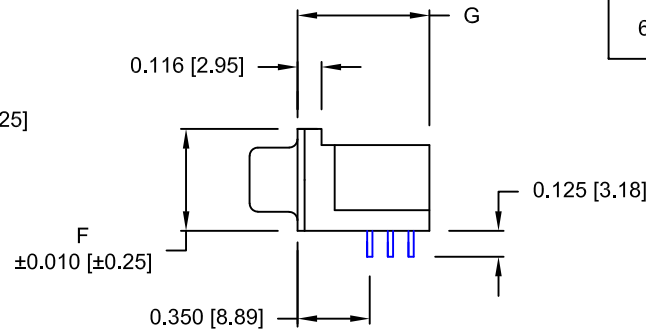
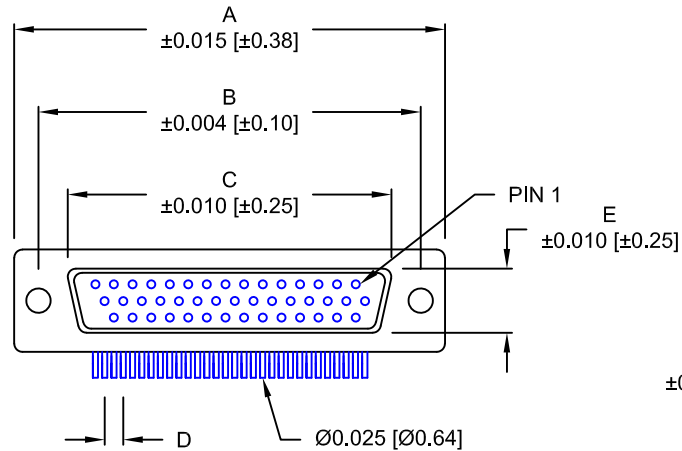


DESCRIPTION: HIGH DENSITY - FEMALE - RIGHT ANGLE

44 PIN SHOWN

DIMENSIONS (IN.)							
No. OF PINS	A	B	C	D	E	F	G
15	1.213	0.984	0.644	0.090	0.311	0.496	0.639
	30.80	24.99	16.34	2.29	7.90	12.60	16.23
26	1.543	1.312	0.966	0.090	0.311	0.496	0.639
	39.19	33.32	24.53	2.29	7.90	12.60	16.23
44	2.087	1.852	1.512	0.090	0.311	0.496	0.639
	53.00	47.04	38.40	2.29	7.90	12.60	16.23
62	2.732	2.500	2.156	0.095	0.311	0.496	0.639
	69.30	63.50	54.76	2.41	7.90	12.60	16.23



181-YYY-2 1 3 R YY 1

SERIES _____
 POSITIONS _____
 015 _____
 026 _____
 044 _____
 062 _____
 GENDER _____
 2 = FEMALE
 TERMINATION _____
 1 = DIP SOLDER
 SHELL PLATING _____
 3 = NICKEL PLATED
 RoHS COMPLIANT _____
 (HIGH TEMP. PROCESS)
 HARDWARE OPTIONS _____
 16 = Ø 0.120 HOLE / INSIDE GND STRAPS
 17 = 4-40 INSERTS / INSIDE GND STRAPS
 18 = 4-40 SCREWLOCKS / INSIDE GND STRAPS
 43 = Ø 0.120 HOLE / METAL SHELL
 45 = 4-40 INSERTS / METAL SHELL
 48 = 4-40 SCREWLOCKS / METAL SHELL
 53 = 4-40 INSERTS / BOARDLOCKS
 55 = Ø 0.120 HOLE / BOARDLOCKS
 56 = 4-40 SCREWLOCKS / BOARDLOCKS
 PLATING OPTIONS _____
 1 = GOLD FLASH
 2 = 30u" GOLD PLATING

ELECTRICAL:

CURRENT RATING: 3 AMPS
 CONTACT RESISTANCE: 15 MilliOhms Max.
 INSULATION RESISTANCE: 1,000 MEGOhms Min. at 500 VDC
 DIELECTRIC WITHSTANDING VOLTAGE: 1,000 VAC FOR 1 MINUTE
 WORKING VOLTAGE: 250 VAC
 TEMPERATURE: -55°C TO +105°C

MATERIALS:

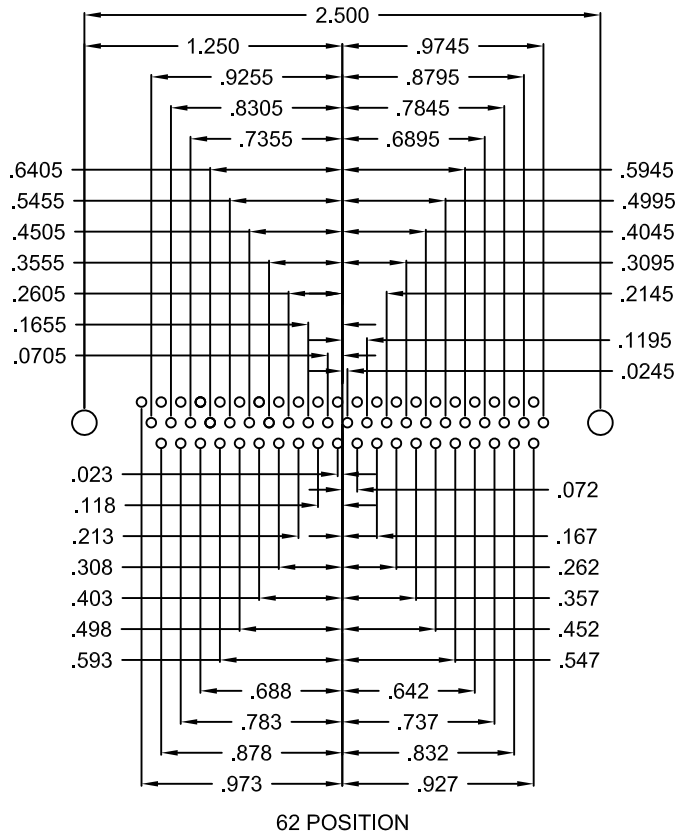
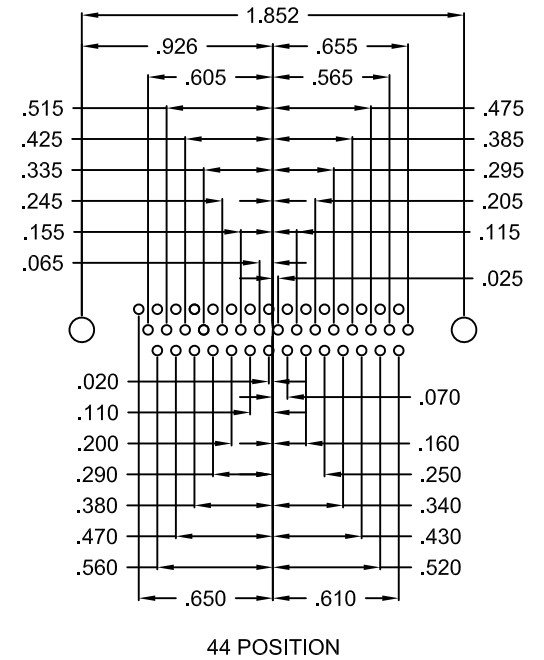
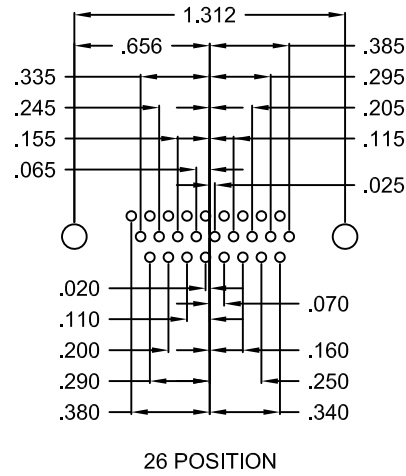
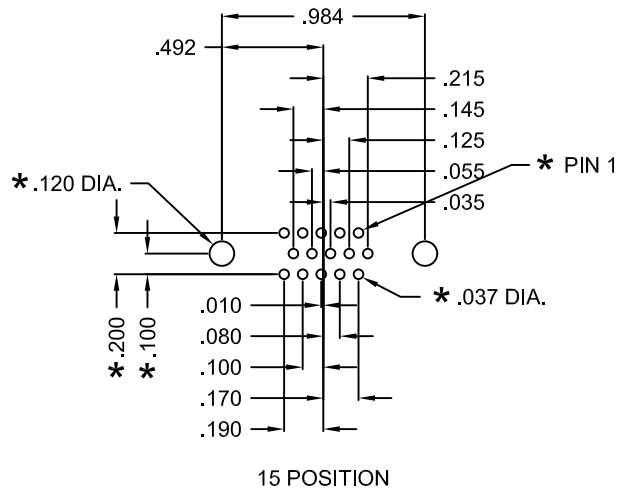
SHELL: SPCC, NICKEL PLATED
 INSULATOR: PA9T-BLACK (UL94-0)
 260°C PROCESS TEMPERATURE
 CONTACT: BRASS, GOLD ENTIRE CONTACT
 RIVET: COPPER ALLOY, NICKEL PLATED
 BOARDLOCK: SPCC, TIN PLATED
 SCREWLOCK: ZINC ALLOY, NICKEL PLATED

DO NOT SCALE FROM DRAWING

	THESE DRAWINGS AND SPECIFICATIONS ARE THE PROPERTY OF NorComp AND SHALL NOT BE REPRODUCED, COPIED OR USED AS THE BASIS FOR THE MANUFACTURE OR SALE OF APPARATUS WITHOUT WRITTEN PERMISSION.		DRAWN: PAM JENKINS	DATE: 3-15-05
			CHECKED:	DATE:
NorComp			SCALE:	SHEET 1 OF 3
			DWG NO. 181-YYY-213RYY1	

RoHS COMPLIANT

DESCRIPTION: PCB LAYOUT - RIGHT ANGLE - FEMALE



181 SERIES
HIGH DENSITY
RIGHT ANGLE

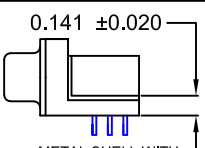
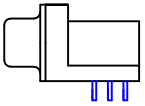
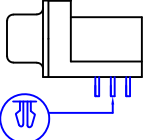
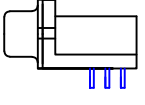
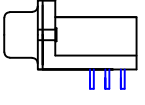
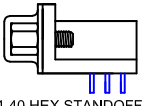
HOLE PATTERN SHOWN
ARE FOR FEMALE

* TYP. ON ALL SIZES

DO NOT SCALE FROM DRAWING

	THESE DRAWINGS AND SPECIFICATIONS ARE THE PROPERTY OF NorComp AND SHALL NOT BE REPRODUCED, COPIED OR USED AS THE BASIS FOR THE MANUFACTURE OR SALE OF APPARATUS WITHOUT WRITTEN PERMISSION.		DRAWN: C. SMITH	DATE: 03-09-06
			CHECKED:	DATE:
NorComp		SCALE: FULL	SHEET 2 OF 3	REV 16
		DWG NO. 181-YYY-213RYY1		

DESCRIPTION: HIGH DENSITY R/A HARDWARE OPTIONS

	 <p>0.141 ±0.020</p> <p>METAL SHELL WITH INSIDE GROUND STRAPS</p>	 <p>METAL SHELL</p>	 <p>METAL SHELL FORK BOARD LOCKS</p>
 <p>.120" DIA. HOLE</p>	16	43	55
 <p>4-40 FLUSH INSERT</p>	17	45	53 BOARD LOCKS
 <p>4-40 HEX STANDOFF FEMALE SCREWLOCK</p>	18	48	56 BOARD LOCKS



THESE DRAWINGS AND SPECIFICATIONS ARE THE PROPERTY OF NorComp AND SHALL NOT BE REPRODUCED, COPIED OR USED AS THE BASIS FOR THE MANUFACTURE OR SALE OF APPARATUS WITHOUT WRITTEN PERMISSION.

DRAWN:
WAYNE ROBBINS

DATE:
3-17-05

CHECKED:

DATE:

NorComp

SCALE:	SHEET	OF	REV
	3	3	16

DWG NO. 181-YYY-213RYY1

RoHS COMPLIANT

Mouser Electronics

Authorized Distributor

Click to View Pricing, Inventory, Delivery & Lifecycle Information:

NorComp:

[181-062-213R171](#) [181-015-213R171](#) [181-015-213R531](#) [181-026-213R171](#) [181-044-213R171](#) [181-015-213R561](#)
[181-026-213R531](#) [181-026-213R561](#) [181-044-213R531](#) [181-044-213R561](#) [181-062-213R531](#) [181-062-213R561](#)