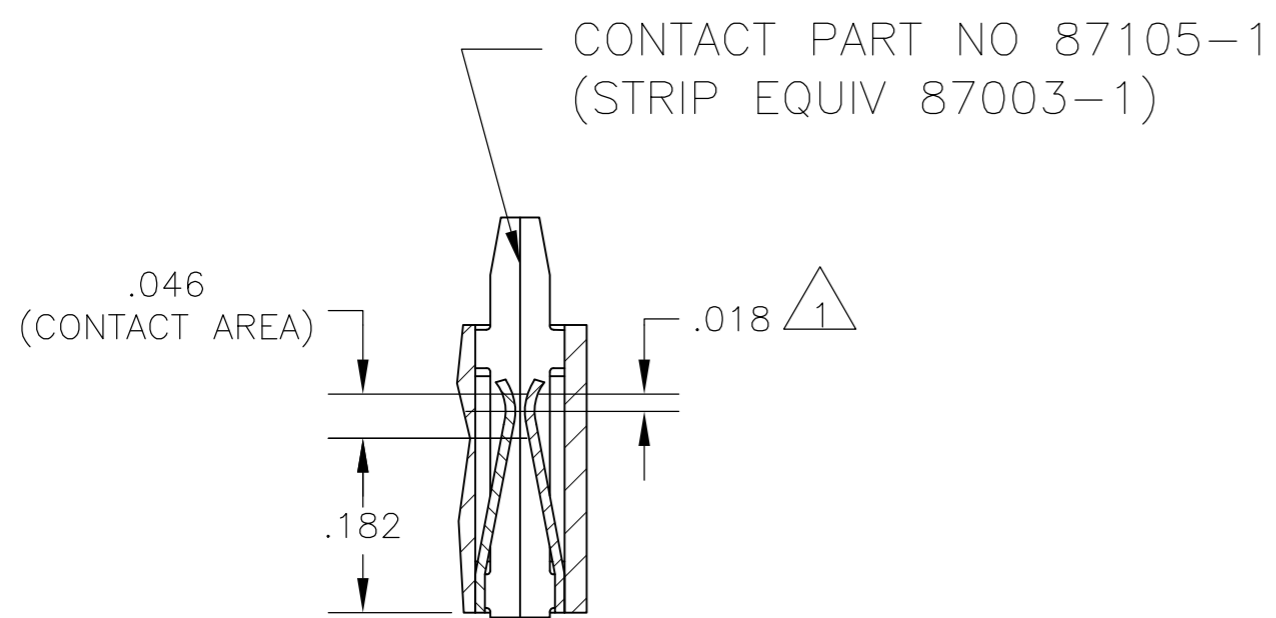
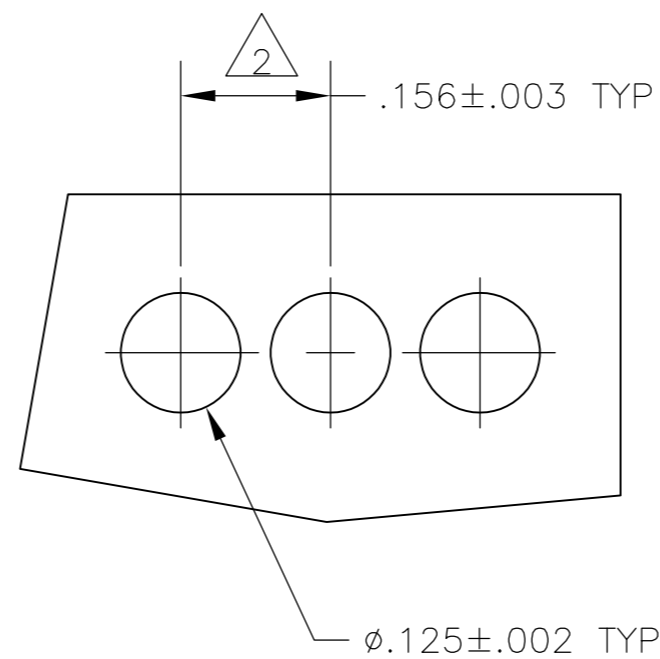


THIS DRAWING IS UNPUBLISHED. RELEASED FOR PUBLICATION  
 © COPYRIGHT BY TYCO ELECTRONICS CORPORATION. ALL RIGHTS RESERVED.

LOC	DIST	REVISIONS			
P	LTR	DESCRIPTION	DATE	DWN	APVD
AD	00	K1	REVISED ECO-09-024927	06NOV09	KK AEG

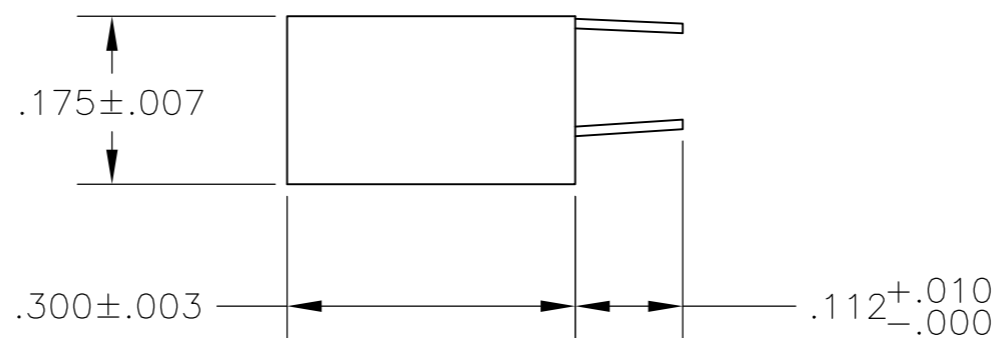
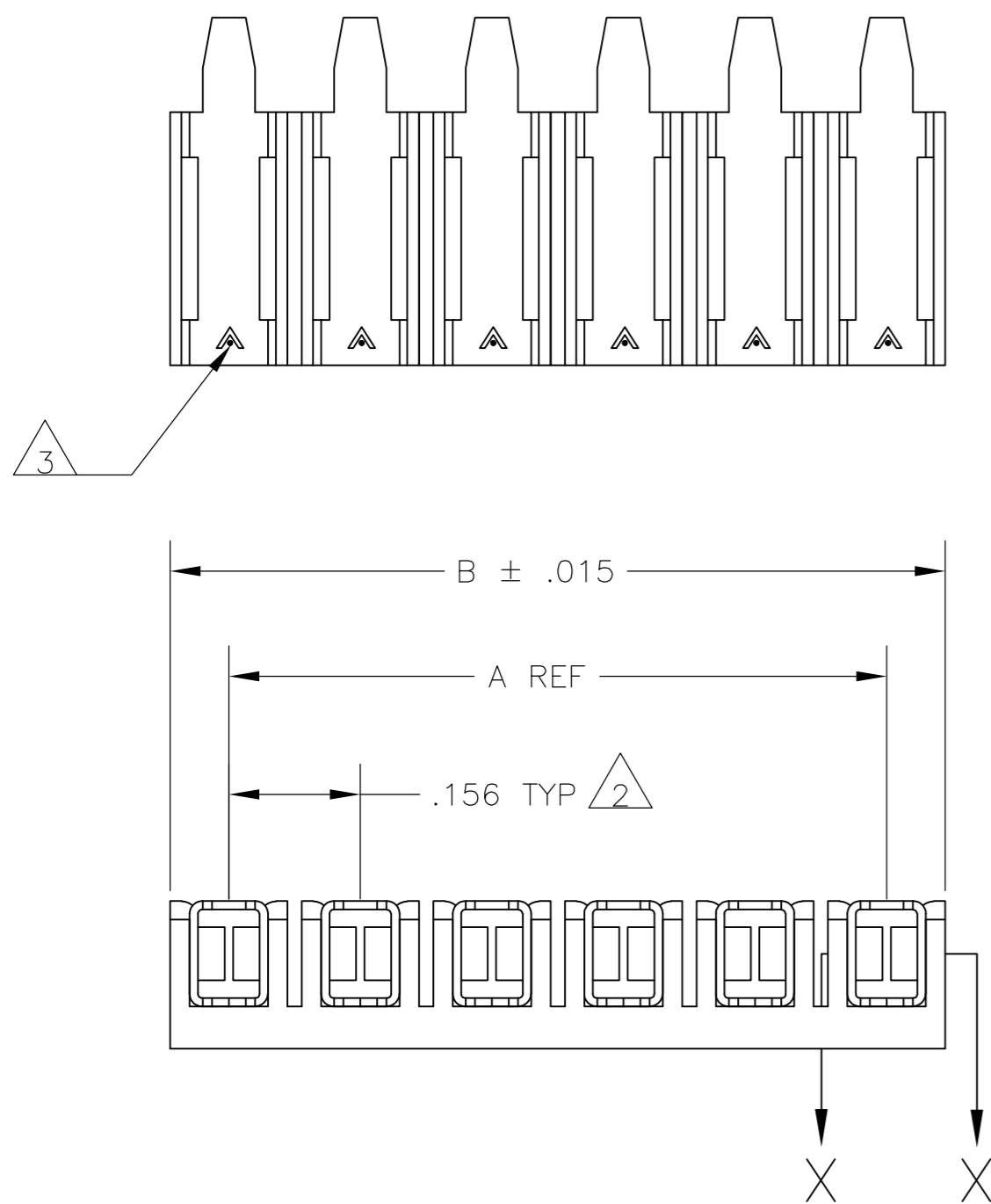


SECTION X-X



RECOMMENDED BOARD MOUNTING  
(RECOMMENDED BOARD THICKNESS: .055-.070)

- △1 POINT OF MEASUREMENT FOR PLATING THICKNESS (INSIDE OF BEAMS).
- △2 TOLERANCE NON-CUMULATIVE.
- △3 THE MATING END OF THE CONTACT IS IDENTIFIED BY THE LETTER "A" STAMPED ON THE RECEPTACLE BOX.
- △4 OBSOLETE PARTS: OBSOLETE CIS STREAMLINING PER D.RENAUD/D.SINISI



OBSOLETE △4	3.120	2.964	20	<del>2-87986-0</del>
	2.964	2.808	19	<del>1-87986-9</del>
	2.808	2.652	18	<del>1-87986-8</del>
	2.652	2.496	17	<del>1-87986-7</del>
	2.496	2.340	16	<del>1-87986-6</del>
	2.340	2.184	15	<del>1-87986-5</del>
	2.184	2.028	14	1-87986-4
△4 OBSOLETE	2.028	1.872	13	<del>1-87986-3</del>
	1.872	1.716	12	1-87986-2
△4 OBSOLETE	1.716	1.560	11	<del>1-87986-1</del>
	1.560	1.404	10	1-87986-0
OBSOLETE △4	1.404	1.248	9	<del>87986-9</del>
	1.248	1.092	8	<del>87986-8</del>
	1.092	.936	7	87986-7
	.936	.780	6	87986-6
	.780	.624	5	87986-5
	.624	.468	4	87986-4
△4 OBSOLETE	.468	.312	3	<del>87986-3</del>
	.312	.156	2	87986-2
	B	A	NO OF POSN	ASSEMBLY PART NUMBER

THIS DRAWING IS A CONTROLLED DOCUMENT.

DIMENSIONS: INCHES	TOLERANCES UNLESS OTHERWISE SPECIFIED:	DWN L D RINGLEY 17MAR86	Tyco Electronics Corporation Harrisburg, Pa 17105-3608
	0 PLC ± -	CHK P deJONG 18MAR86	
	1 PLC ± -	APVD P deJONG 18MAR86	
	2 PLC ± -	PRODUCT SPEC 108-25,016	
	3 PLC ± .005	APPLICATION SPEC 114-25,004	NAME ASSY, MOD I, BOARD MOUNT RCP, .156 CL, STD PRESSURE, TYPE B, FOR ROUND HOLE MOUNTING
	4 PLC ± -	WEIGHT 114-25,004	SIZE A2 CAGE CODE 00779 C=87986
	ANGLES ± -	CUSTOMER DRAWING	DRAWING NO 114-25,004
MATERIAL: HOUSING - FLAME RETARDANT THERMOPLASTIC, COLOR - BLACK CONTACTS - PHOS. BRONZE	FINISH: .000030 GOLD IN THE CONTACT AREA, GOLD FLASH ON THE REMAINDER, ALL OVER .000050 NICKEL		RESTRICTED TO -
		SCALE 5:1	SHEET 1 OF 1 REV K1

# Mouser Electronics

Authorized Distributor

Click to View Pricing, Inventory, Delivery & Lifecycle Information:

[TE Connectivity:](#)

[87986-6](#)