

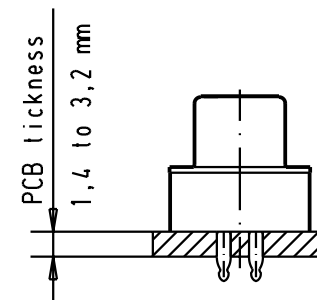
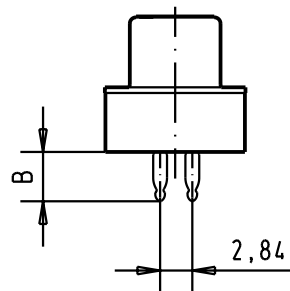
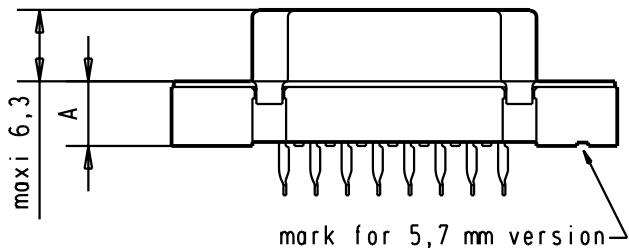
5

4

3

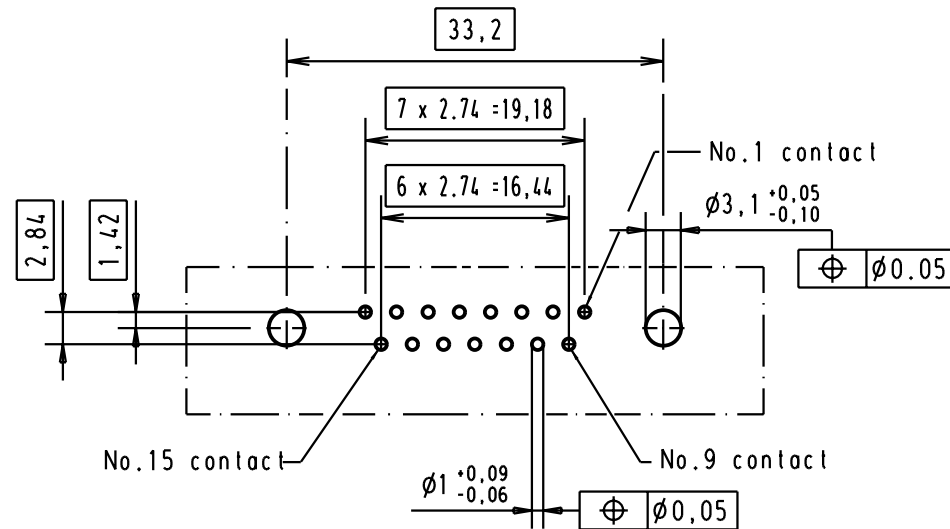
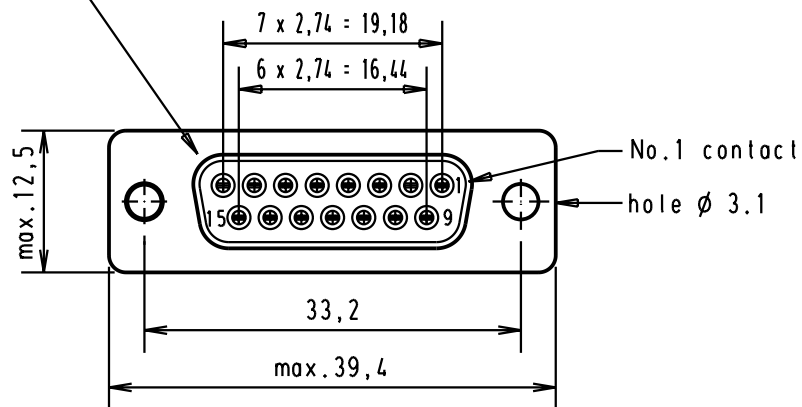
2

1



PCB layout hole component side
(PCB holes plating : Tin)

Mating face according to : MIL-C-24308 / DIN 41652 / CECC 75301-802



A

09662147500	3	6	4.20															
09662146500	2	6	4.20				Detail.	30/03/94	jfb									
09662145500	0.76 μm Au	6	4.20	31079	29-AUG-02	CV	Insp.											
09662147504	3	5.7	4.35	27980	05/03/01	jfb	Stand.											
09662146504	2	5.7	4.35	26574	14/02/00	jfb												
09662145504	0.76 μm Au	5.7	4.35	16236	30/06/95	jfb												
Part number	Performance level	A±0.2	B±0.2	Mod.	Dat.	Name												
												TB 0966214x50x		Maßstab/ Scale 2,5:1				
										HARTING EURL F-95972 Paris				Blatt/ Page 1 /				
										Sub.								



D-Sub 15 poles straight female connector with press-in termination, version ø 3.1 hole.



TB 0966214x50x

Blatt/ Page
1 /

Mouser Electronics

Authorized Distributor

Click to View Pricing, Inventory, Delivery & Lifecycle Information:

[HARTING:](#)

[09662145504](#)