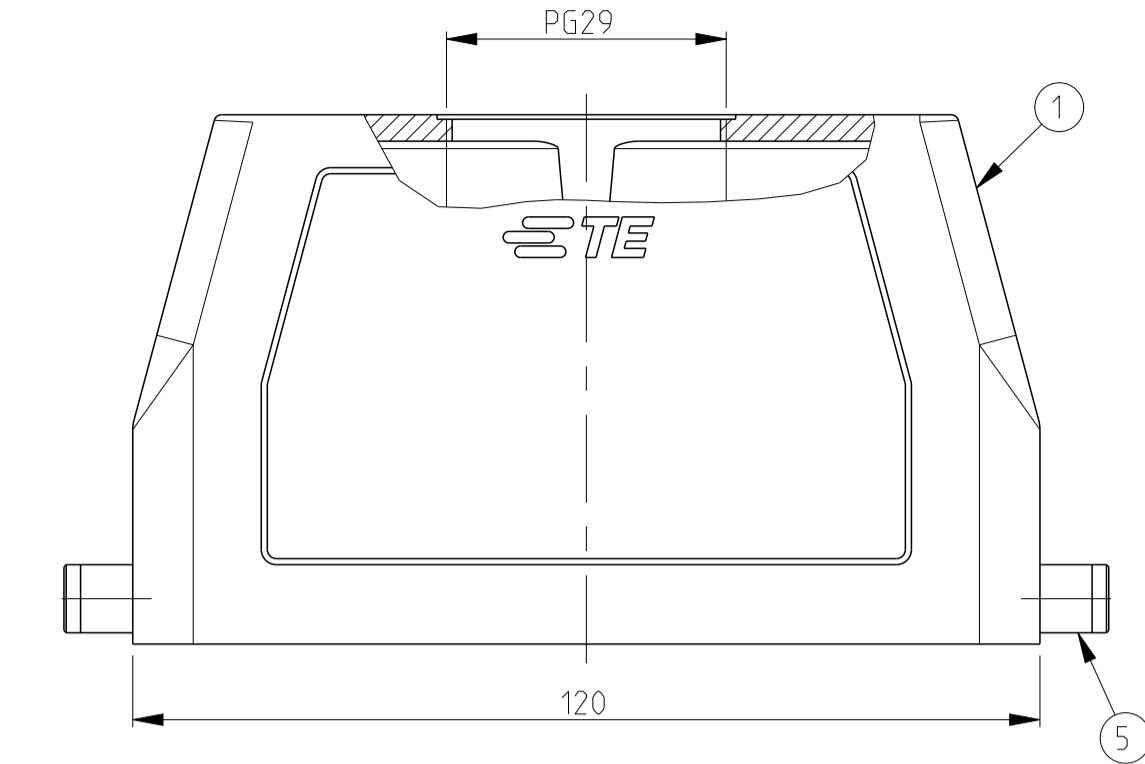
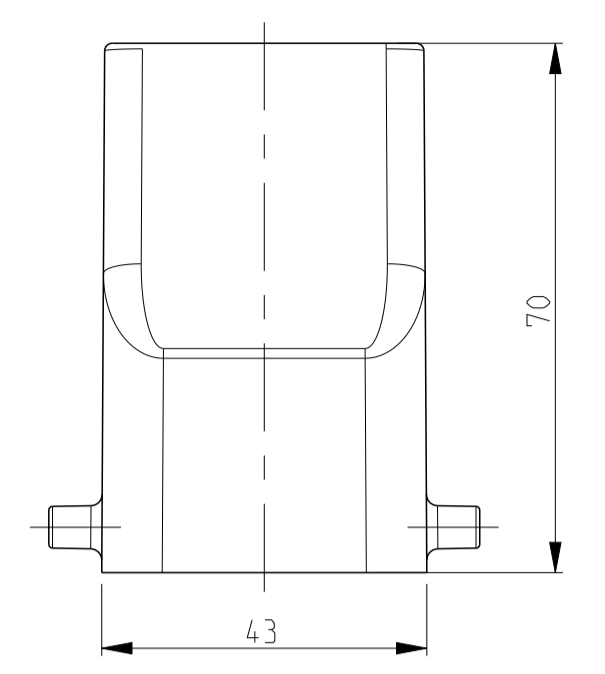
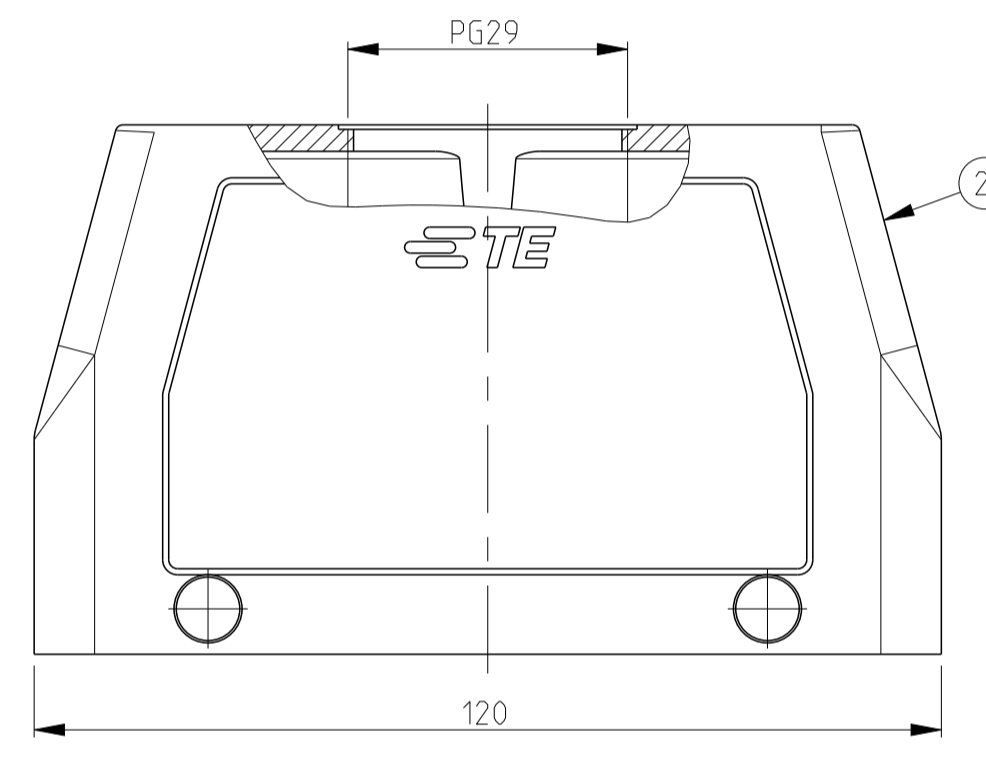
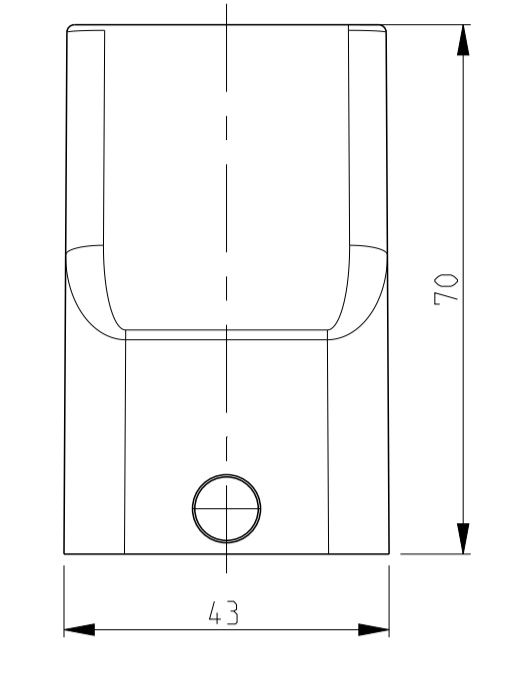


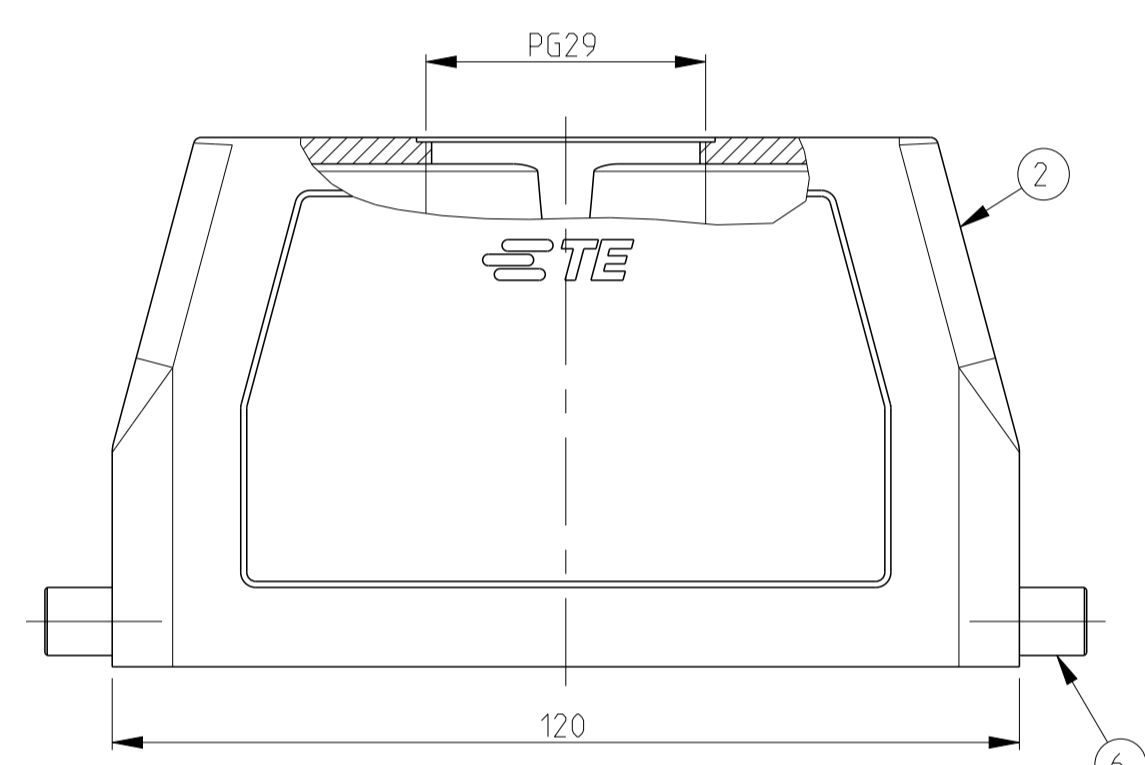
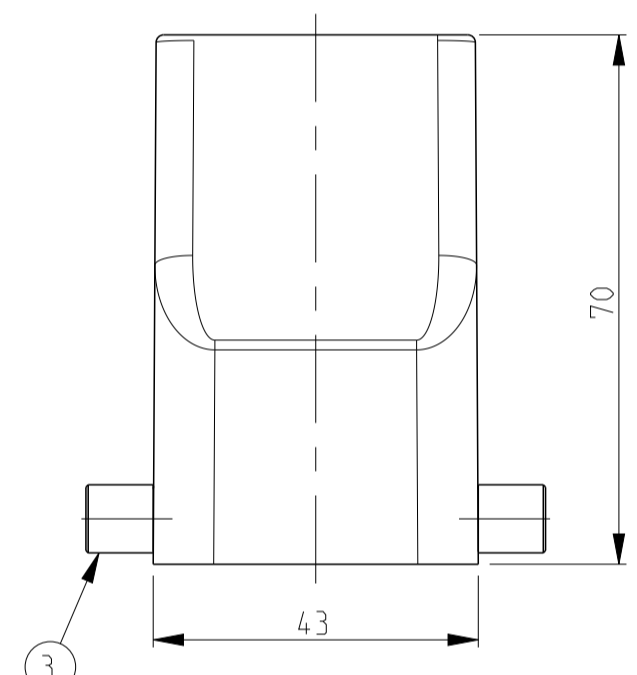
PN 1-6



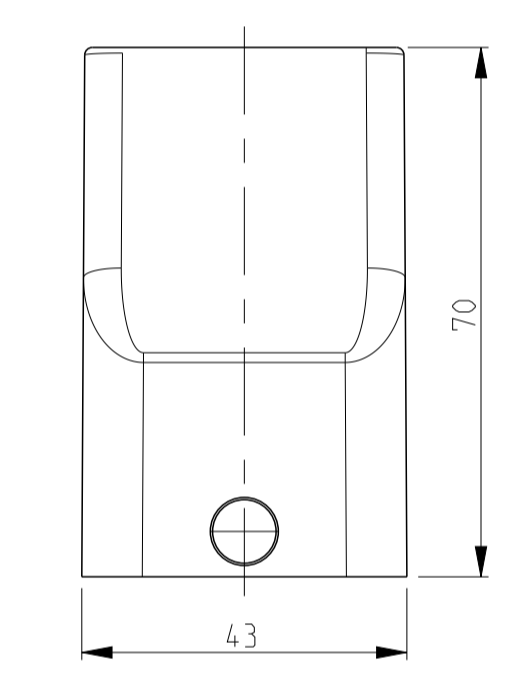
PN 1-7



PN 2-6

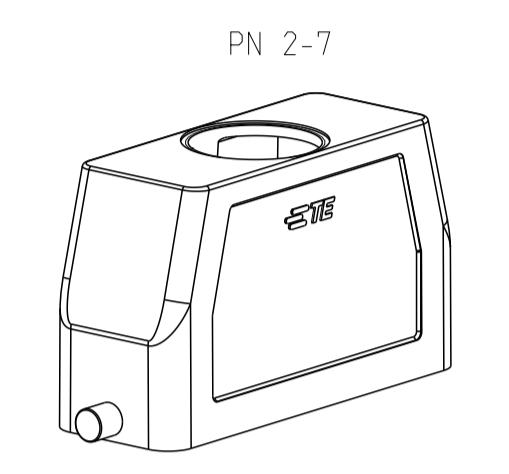


PN 2-7

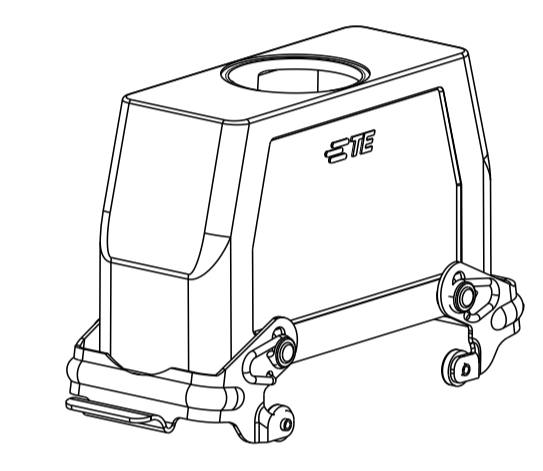


REVISIONS				
P.	LTH	DESCRIPTION	DATE	DWN APVD
A3		REVISED PER ECR-16-016768	14AUG2017	NCS MKO

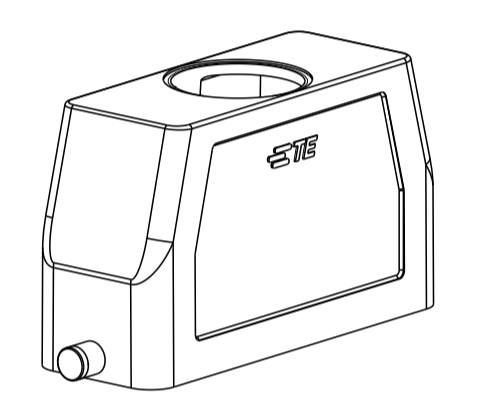
- NOTES.
- 1 Material:Housing:Aluminium Diecasting Alloy
  - 2 Surface:Varnish grey  
-Aluminium oxide-  
Varnish black
  - 3 Varnish on the inside not necessary
  - 4 Packaging  
Quantity 5 Pieces in a box



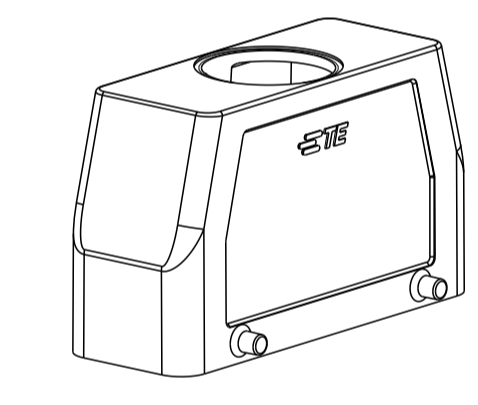
SCALE 1:2



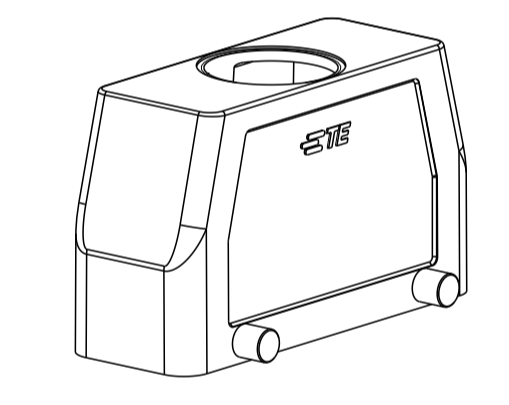
SCALE 1:2



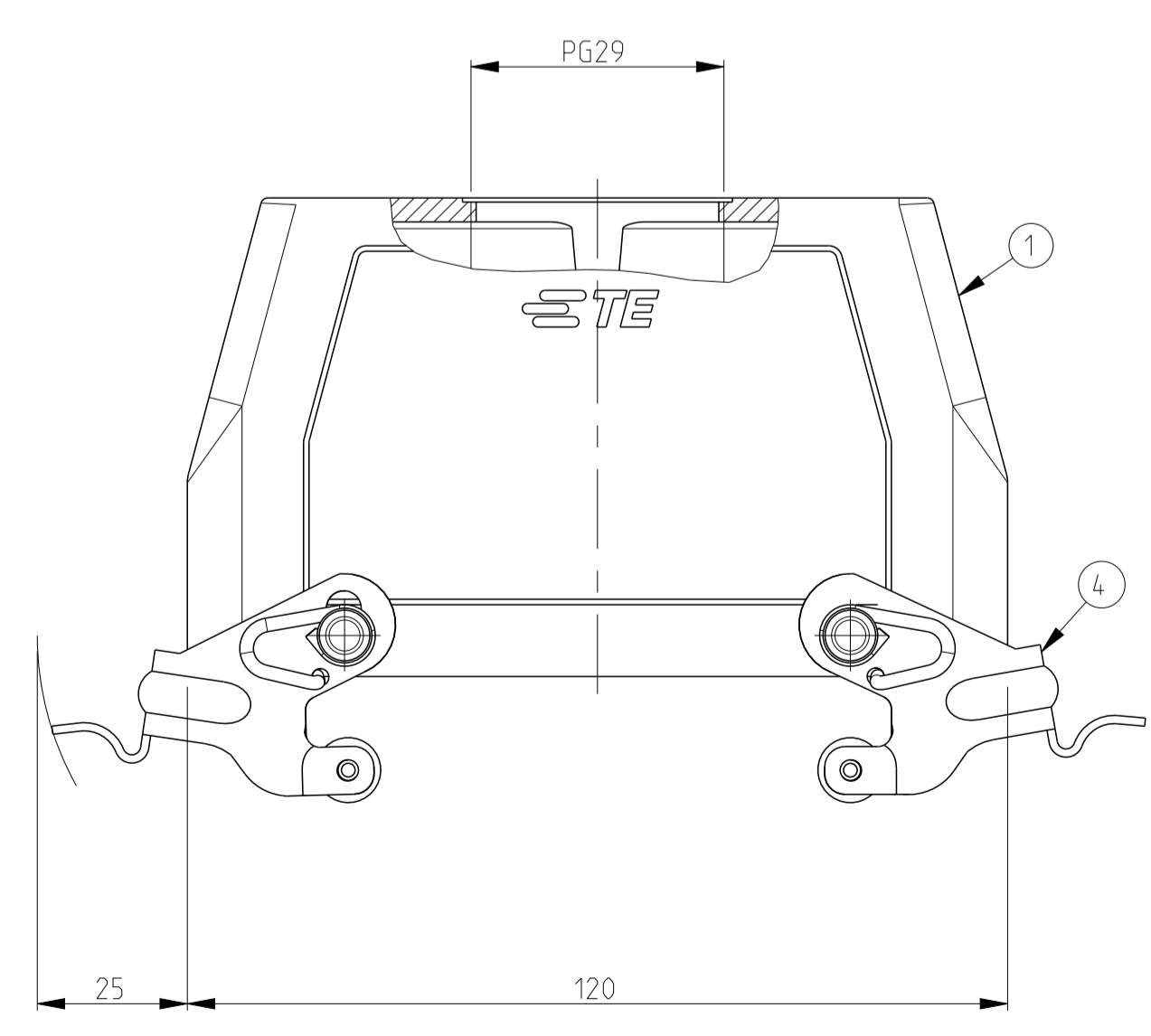
SCALE 1:2



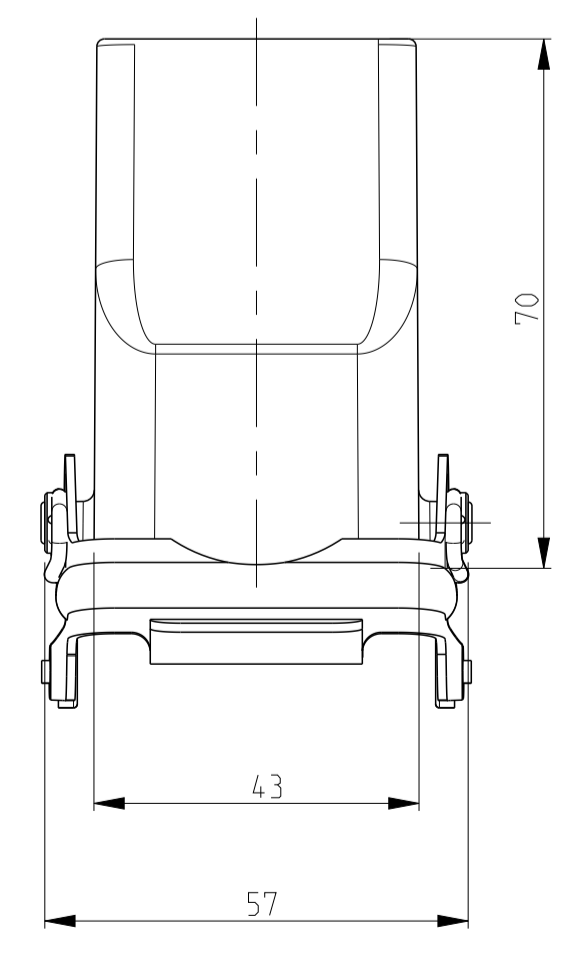
SCALE 1:2



SCALE 1:2



PN 1-1



THIS DRAWING IS A CONTROLLED DOCUMENT.

DWN	Schneider	30.01.2003
CHK	Schweiger	30.01.2003
APVD		

NAME: HB.24.STO.1.29.G

PRODUCT SPEC: 108-74.003

APPLICATION SPEC: 116-74.004

WEIGHT: -

SCALE: 1:1 SHEET 1 OF 1 REV: A3

CUSTOMER DRAWING

QTY	ITEM NO	DESCRIPTION	MATERIAL	SURFACE	COLOR	REMARKS
2	1	LB-Clip bolt	Stainless steel	Blank	-	6
2	1	LB-Clip bolt	Steel	Zinc plated	Blue	5
-	2	VS-Side clip	Steel	Zinc plated	Blue	4
-	4	VS-Clip bolt	Stainless steel	Blank	-	3
1	1	HB-K Hood	Aluminium	Aluminium oxide	Black	2
-	1	HB Hood	Aluminium	-	Grey	1
2-71-7	1-12-61-6	DESCRIPTION	MATERIAL	SURFACE	COLOR	ITEM NO
ORDERING TEXT						
HB.24.STO.1.29.G						
HB-K.24.STO.1.29.G						
HB.24.STO-VS.1.29.G						
HB.24.STO-GR.1.29.G						
HB-K.24.STO-GR.1.29.G						

# Mouser Electronics

Authorized Distributor

Click to View Pricing, Inventory, Delivery & Lifecycle Information:

[TE Connectivity:](#)

[1-1102328-6](#)