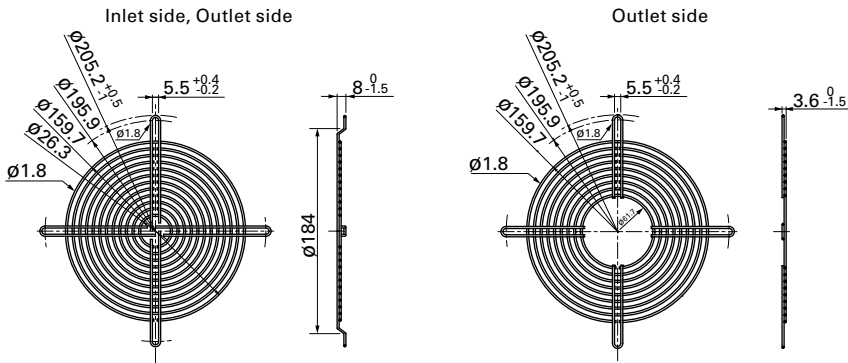


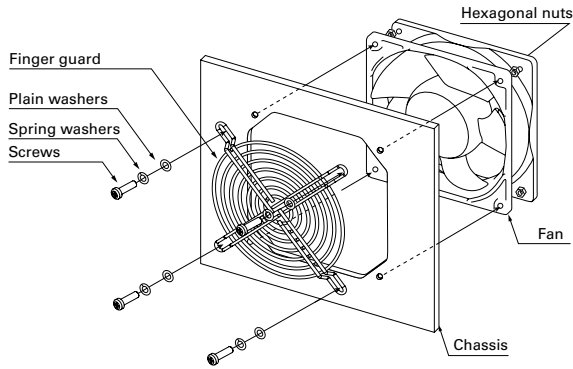
160 mm sq. type

Model no.	Surface treatment	Mass (g)	Model no.	Surface treatment	Mass (g)
109-619E	Nickel-chrome plating (silver)	85	109-620	Nickel-chrome plating (silver)	74
109-619H	Cation electropainting (black)				



Mounting example

Axial fan



Mouser Electronics

Authorized Distributor

Click to View Pricing, Inventory, Delivery & Lifecycle Information:

[Sanyo Denki:](#)

[109-620](#) [109-619E](#) [109-619H](#)