

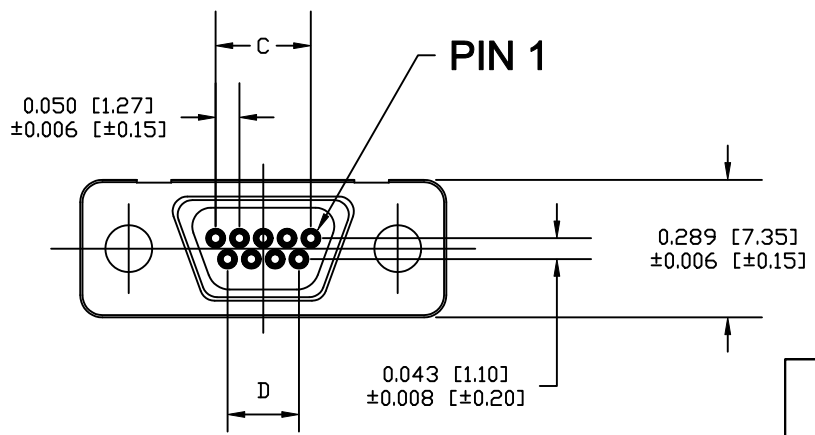
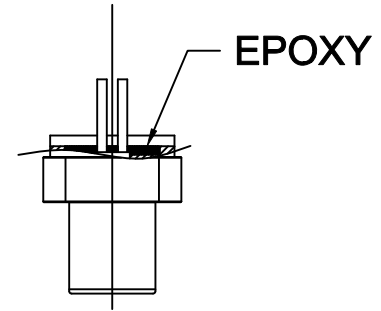
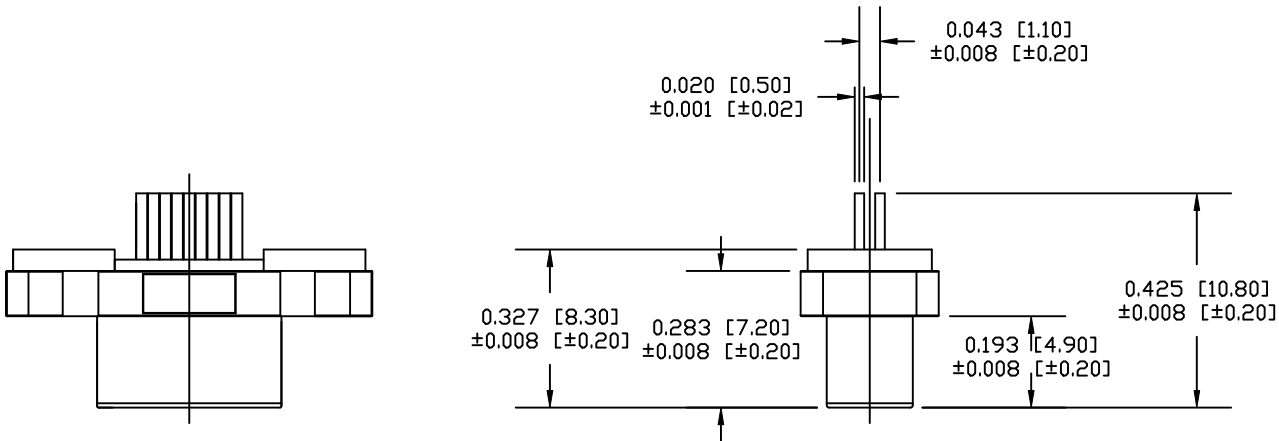
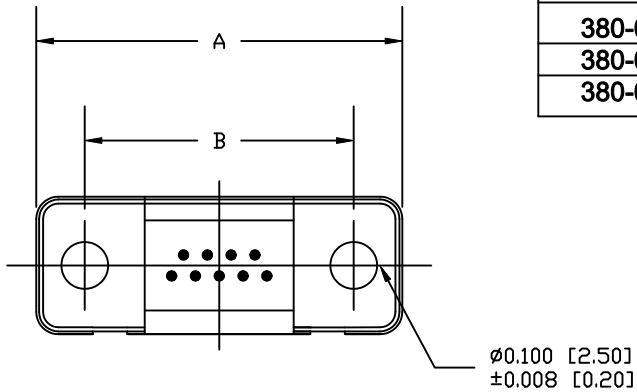
DESCRIPTION: MICRO D-SUB CONNECTOR - FEMALE

PART NUMBER	# OF PINS	A	B	C	D
380-009-213L001	9	0.770 [19.55]	0.565 [14.35]	0.200 [5.08]	0.150 [3.81]
380-015-213L001	15	0.919 [23.36]	0.717 [18.20]	0.350 [8.89]	0.300 [7.62]
380-025-213L001	25	1.169 [29.70]	0.967 [24.55]	0.600 [15.24]	0.550 [13.97]

TOLERANCE = ±0.006 [±0.15]

**ELECTRICAL**

CONTACT CURRENT RATING: 1 AMP  
 DIELECTRIC WITHSTANDING VOLTAGE: 500 VAC  
 INSULATION RESISTANCE: 1000 MOhms MIN.  
 CONTACT RESISTANCE: 45 MILLI Ohms MAX.  
 OPERATING TEMPERATURE: -55°C TO +85°C



**MATERIAL:**

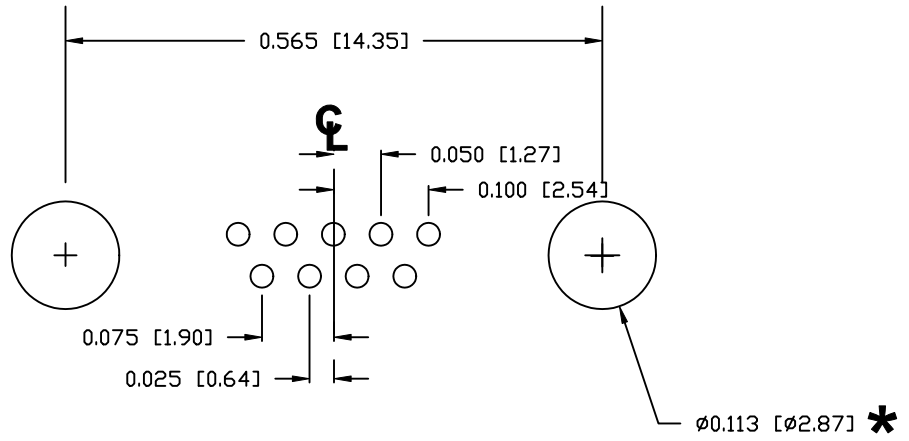
HOUSING: PBT  
 SHELL: ZINC ALLOY  
 CONTACTS: BRASS  
 15  $\mu$  INCH GOLD ENTIRE CONTACT

DO NOT SCALE FROM DRAWING

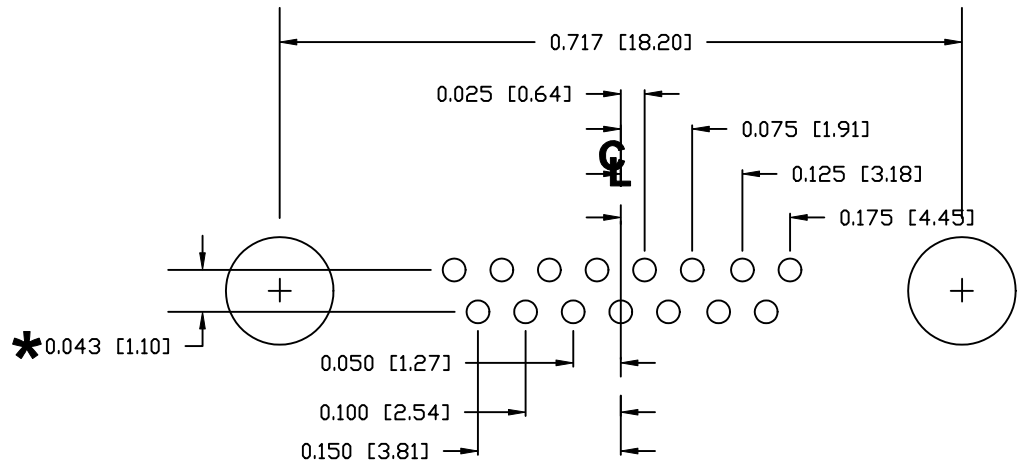
	THESE DRAWINGS AND SPECIFICATIONS ARE THE PROPERTY OF NorComp AND SHALL NOT BE REPRODUCED, COPIED OR USED AS THE BASIS FOR THE MANUFACTURE OF SALE OF APPARATUS WITHOUT WRITTEN PERMISSION.		DRAWN: <b>M. SIGMON</b>	DATE: <b>08-19-11</b>
			CHECKED:	DATE:
<b>NorComp</b>		SCALE: 2.5 : 1	SHEET 1 OF 2	REV 3
		DWG NO. <b>380-YYY-213L001</b>		

**RoHS COMPLIANT**

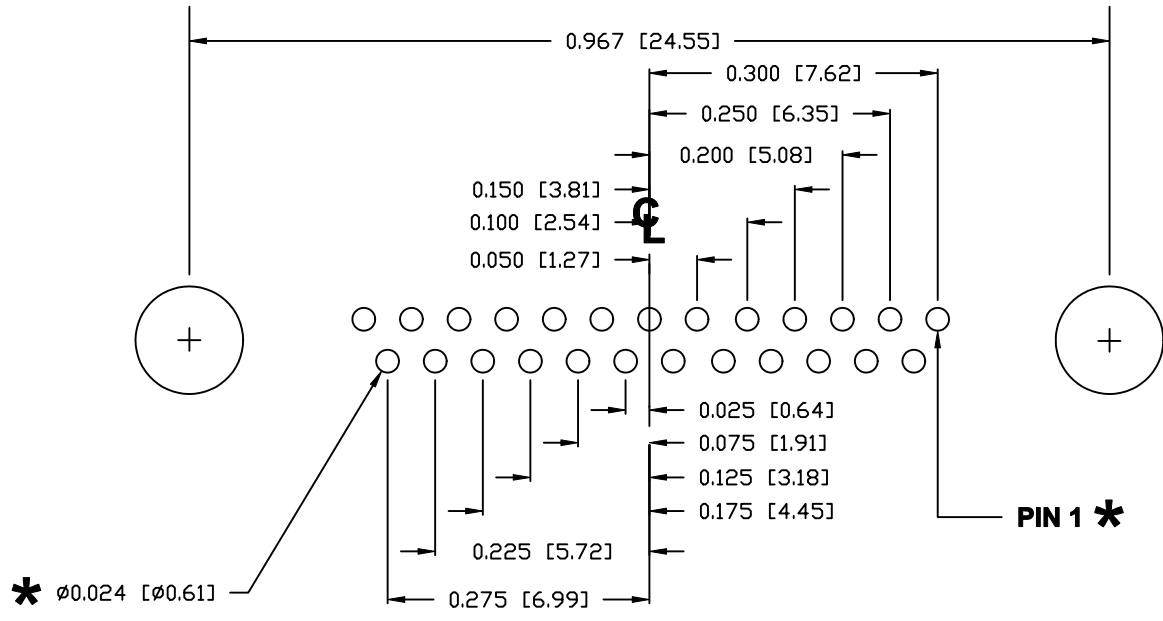
**DESCRIPTION:** MICRO D-SUB CONNECTOR - PCB LAYOUT



**9 POSITION**



**15 POSITION**




**25 POSITION**

**PIN 1 \***

**\* TYP. ON ALL SIZES  
TOLERANCE =  $\pm 0.002$  [ $\pm 0.05$ ]**

**DO NOT SCALE FROM DRAWING**

**RoHS COMPLIANT**

	THESE DRAWINGS AND SPECIFICATIONS ARE THE PROPERTY OF NorComp AND SHALL NOT BE REPRODUCED, COPIED OR USED AS THE BASIS FOR THE MANUFACTURE OF SALE OF APPARATUS WITHOUT WRITTEN PERMISSION.		DRAWN: <b>M. SIGMON</b>	DATE: <b>08-19-11</b>
			CHECKED:	DATE:
<h1>NorComp</h1>		SCALE: <b>5 : 1</b>	SHEET <b>2</b> OF <b>2</b>	REV <b>3</b>
		DWG NO. <b>380-YYY-213L001</b>		

# Mouser Electronics

Authorized Distributor

Click to View Pricing, Inventory, Delivery & Lifecycle Information:

[NorComp:](#)

[380-009-213L001](#) [380-015-213L001](#) [380-025-213L001](#)