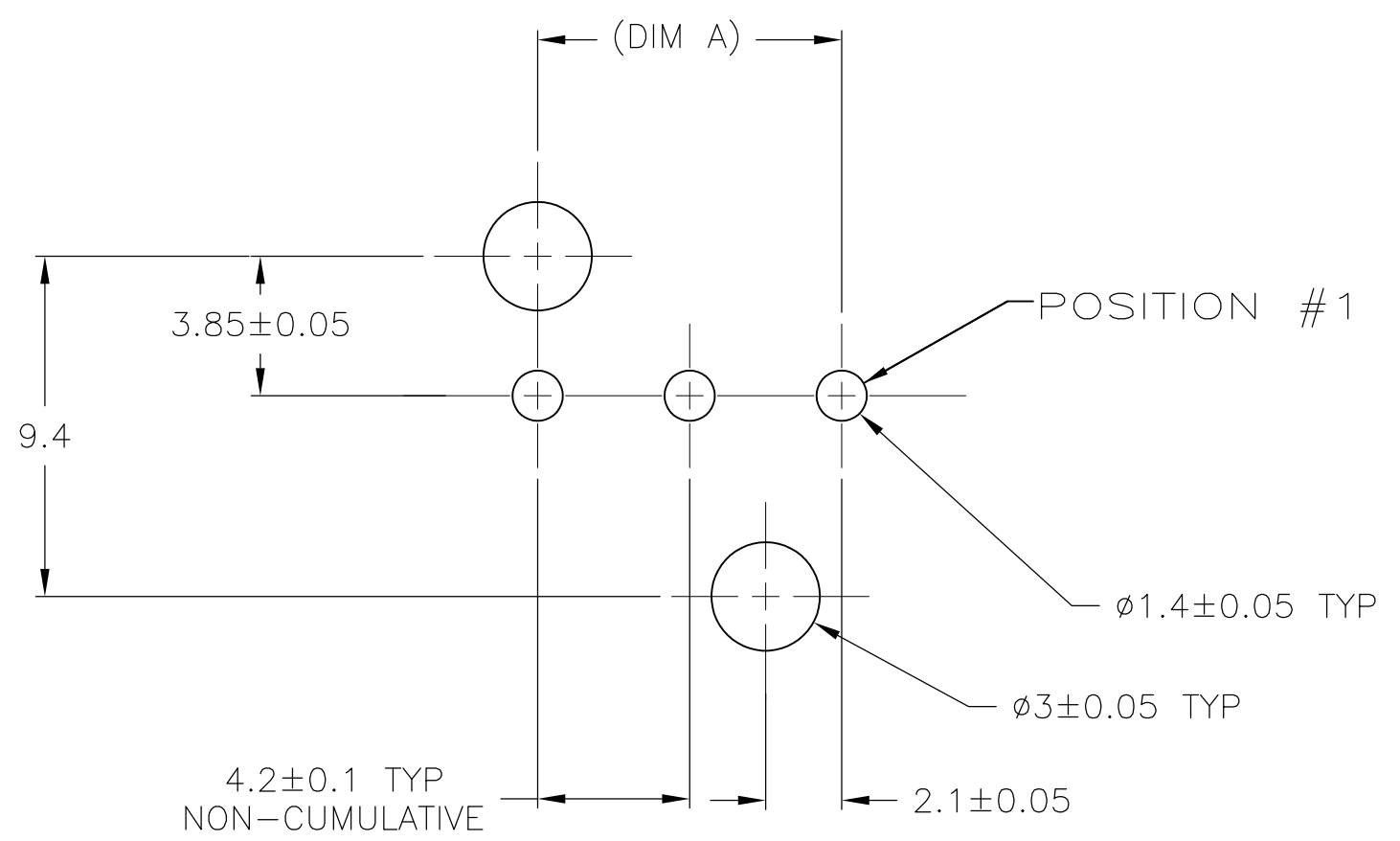
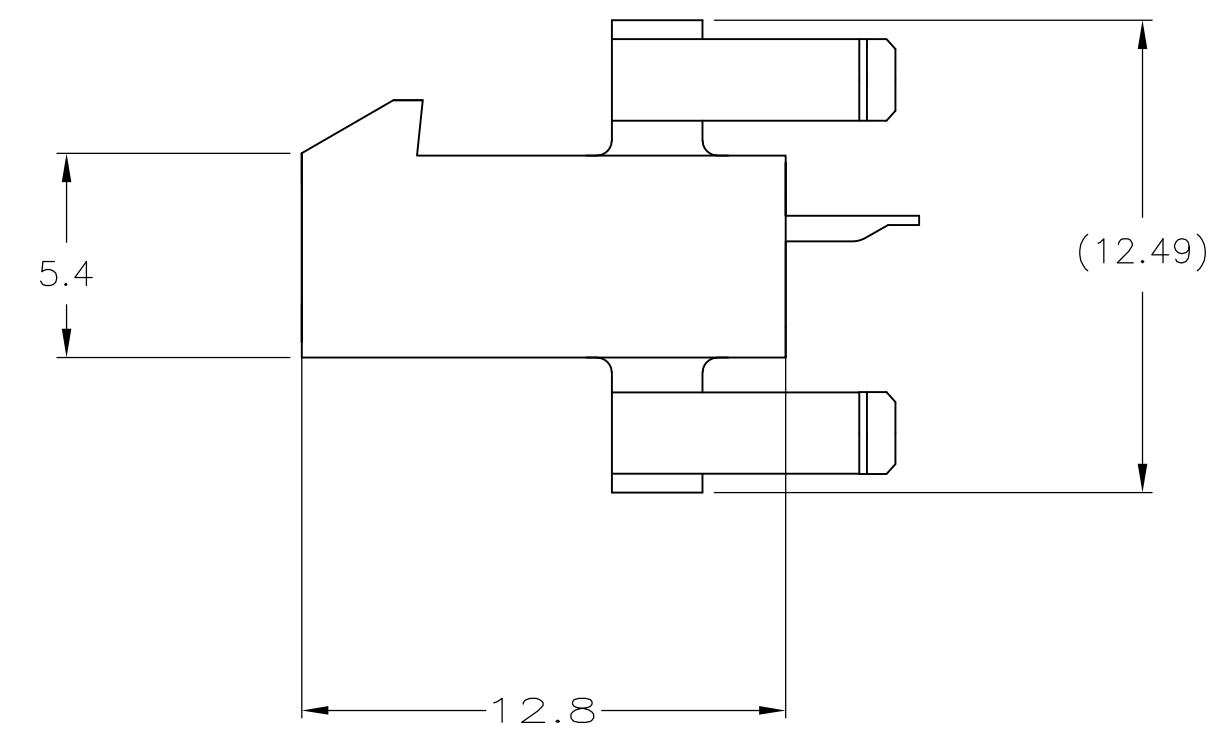
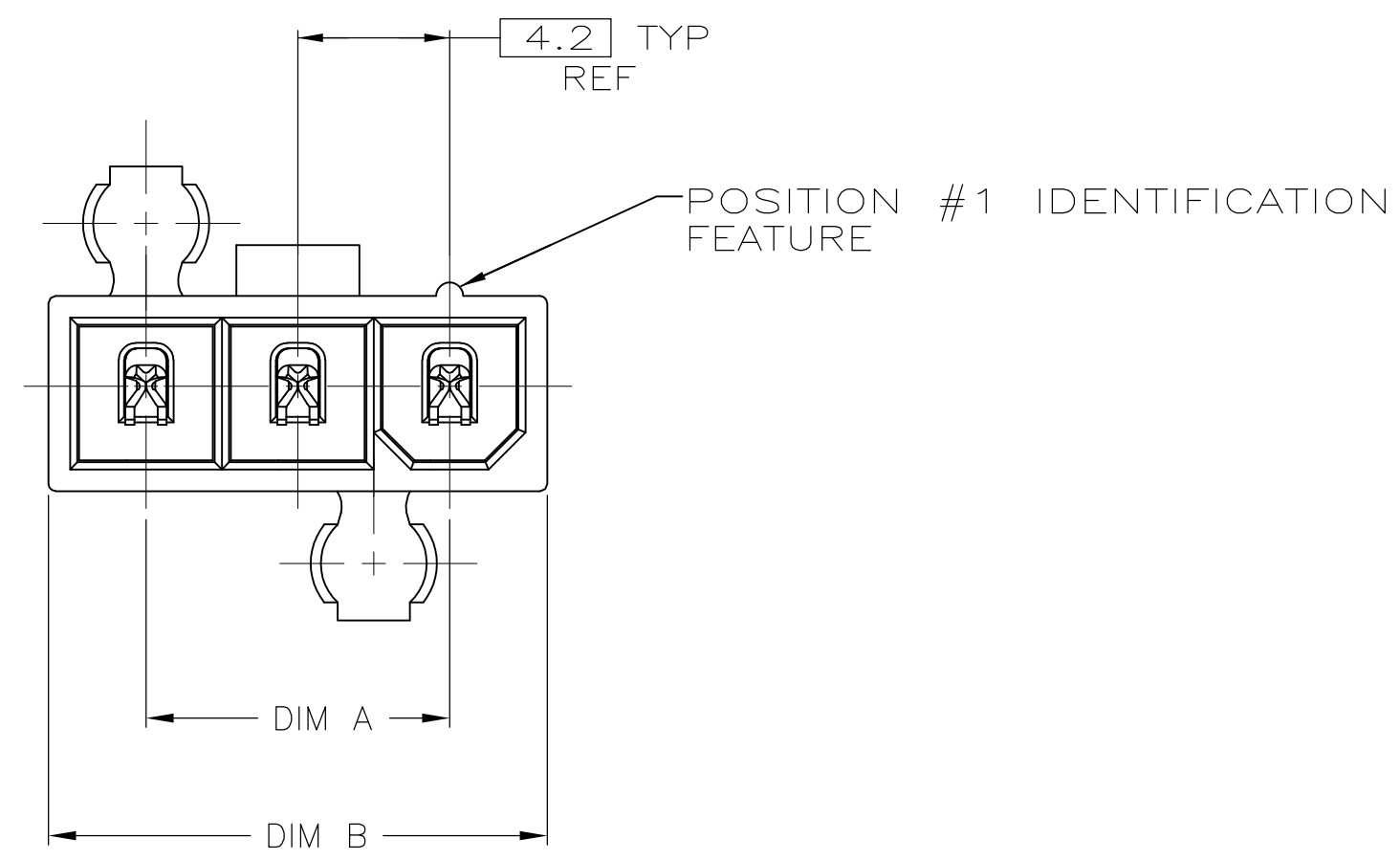
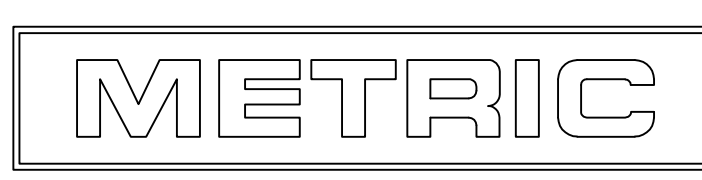


⚠ MATERIAL: HOUSING - NYLON, UL94V-0, WHITE.
 CONTACTS - BRASS, TIN PLATED.
 ⚠ TYCO ELECTRONICS LOGO AND MATERIAL ID MAY BE LOCATED ON EITHER LONG SIDE OF PART.



RECOMMENDED MOUNTING HOLE PATTERN
 FOR 1.78 MAX THICK P.C. BOARD
 COMPONENT SIDE SHOWN

22.2	16.8	5	2029167-5
18	12.6	4	2029167-4
13.8	8.4	3	2029167-3
DIM B	DIM A	NO. OF POSITIONS	PART NO



THIS DRAWING IS A CONTROLLED DOCUMENT.

DIMENSIONS:	TOLERANCES UNLESS OTHERWISE SPECIFIED:	DIN	01AUG2008	Tyco Electronics Corporation Harrisburg, PA 17105-3608
mm	0. PLC ± - 1. PLC ± 0.2 2. PLC ± 0.13 3. PLC ± - 4. PLC ± - ANGLES ± 0°30'	K. WHITAKER	11JAN2008	
MATERIAL	FINISH	CHK	C. CASH	11JAN2008
⚠	⚠	APVD	C. CASH	NAME
		PRODUCT SPEC		PLUG ASSEMBLY, VERTICAL, SINGLE ROW, 94V-0, W/O DRAIN HOLES, VAL-U-LOK(TM)
		APPLICATION SPEC		SIZE
		WEIGHT	A1	00779
		CUSTOMER DRAWING		2029167
		SCALE	5:1	SHEET 1 OF 1
		REV		A

Mouser Electronics

Authorized Distributor

Click to View Pricing, Inventory, Delivery & Lifecycle Information:

[TE Connectivity:](#)

[2029167-4](#)