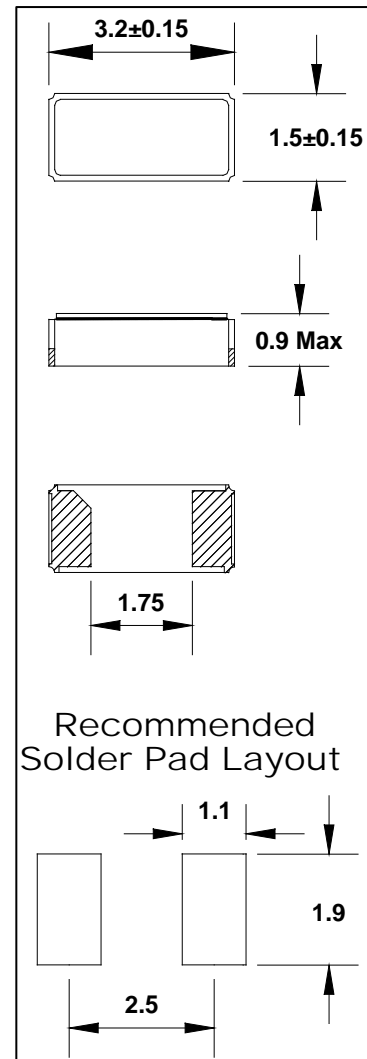




SMD Tuning Fork

K135 (former FX135) DATASHEET

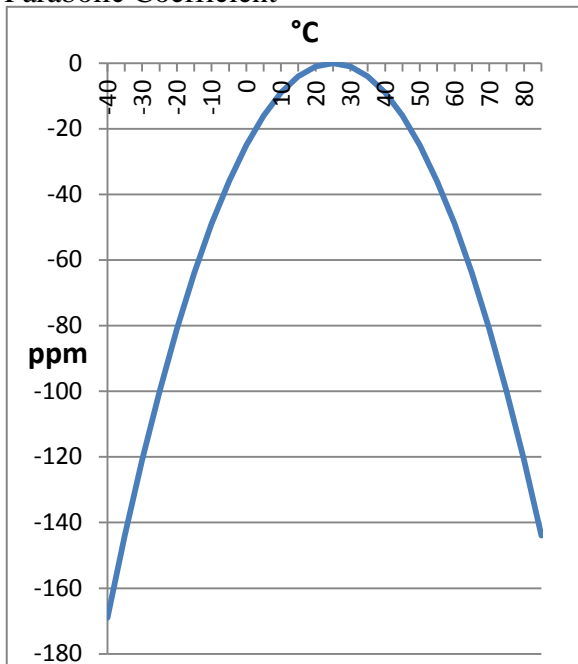
• K135 STANDARD SPECIFICATIONS	
PARAMETERS	MAX (unless otherwise noted)
Frequency	32.768 kHz
Frequency Tolerance @ 25°C	(See options on page 2)
Frequency Stability Temperature Coefficient	-0.04 PPM / (Δ°C)
Temperature Range	
Turnover (T _o)	+20°C ~ +30°C
Operating (T _{OPR})	-40°C ~ +85°C
Storage (T _{STG})	-55°C ~ +125°C
Equivalent Series Resistance (R _s)	70 kΩ
Load Capacitance (C _L)	(See options on page 2)
Insulation Resistance @ 100V _{DC}	500MΩ Min
Drive Level	1.0 μW 0.1 μW Typ
Aging per year	±3 PPM
Maximum Soldering Temp / Time	260°C / 10 Seconds
Moisture Sensitivity Level (MSL)	1
Termination Finish	Au over Ni
Seal Method	Seam Seal
Lead (Pb) Free	Yes
RoHS/Reach Compliant	Yes



All dimensions are in millimeters.

Note: Dimensional drawing is for reference to critical specifications defined by size measurements. Certain non-critical visual attributes, such as side castellations, etc. may vary.

Parabolic Coefficient



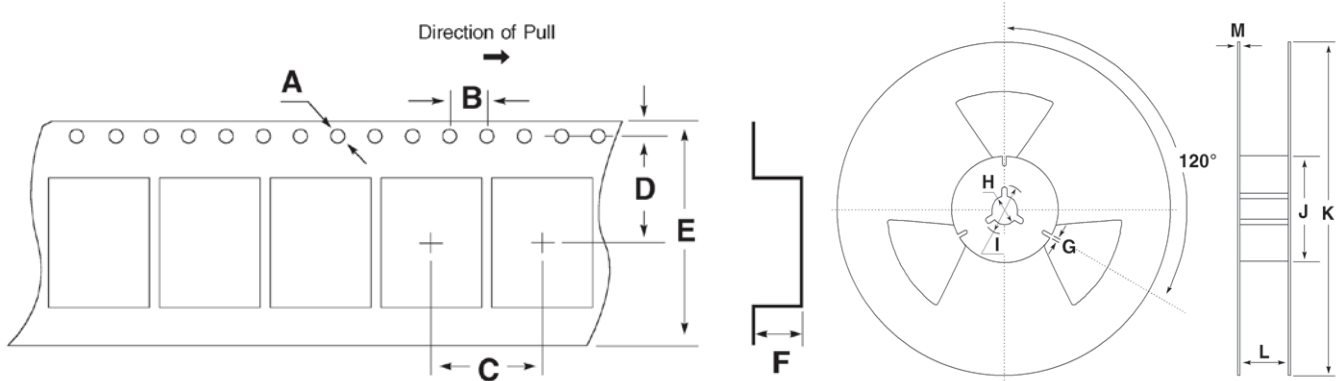
Title / Description: K135 STANDARD SPECIFICATIONS	
Drawing Number: 100973	Size: A
Part Number:	Cage: 61429
Draftsperson: CMR	Approved: BEC
Revision Date: 04/28/2017	



SMD Tuning Fork

K135
(former FX135)
DATASHEET

• TAPE SPECIFICATIONS (millimeters)							• REEL SPECIFICATIONS (millimeters)						
A	B	C	D	E	F	STD Reel QTY	G	H	I	J	K	L	M
Ø1.5	4.0	4.0	5.5	12.0	1.0	3,000	2.0	Ø13	Ø21	Ø60	Ø180	13.0	1.2



Available Options & Part Identification for SMD Tuning Fork Crystal K135 **F K135 E I H M 0.032768**

F	K135	E	I	H	M	0.032768
<u>FOX</u>	<u>Model Number</u>	<u>Tolerance</u> E = 20 PPM H = 10 PPM	<u>Stability</u> I = -0.04 PPM / (Δ°C)	<u>Load Capacitance</u> B=6pF V=7pF W=9pF H=12.5pF	<u>Operating Temperature</u> M = -40 ~ +85°C	<u>Frequency (MHz)</u>



Corporate
Headquarters
5570 Enterprise Parkway
Fort Myers, FL 33905
<http://www.FOXONLINE.com>

Sales
1-888-GET-2-FOX (1-888-438-2369) or
1-239-693-0099
<http://www.FOXONLINE.com/repdisty>

Tech Support
<http://www.FOXONLINE.com/email>

PRODUCT USE: Fox Electronics reserves the right to modify the products and/or specifications described herein at any time and at Fox Electronics' sole discretion. All information in this document, including descriptions of product features and performance, is subject to change without notice. Performance specifications and the operating parameters of the described products are determined in the independent state and are not guaranteed to perform the same way when installed in customer products. The information contained herein is provided without representation or warranty of any kind, whether express or implied, including, but not limited to, the suitability of Fox Electronics' products for any particular purpose, an implied warranty of merchantability, or non-infringement of the intellectual property rights of others. This document is presented only as a guide and does not convey any license under intellectual property rights of Fox Electronics or any third parties. Fox Electronics' products are not intended for use in applications involving extreme environmental conditions or in life support systems or similar devices where the failure or malfunction of a Fox Electronics product can be reasonably expected to significantly affect the health or safety of users. Anyone using a Fox Electronics product in such a manner does so at their own risk, absent an express, written agreement by Fox Electronics. Fox Electronics and the Fox logo are registered trademarks of Fox Electronics. Product specification is subject to change without notice. Other trademarks and service marks used herein, including protected names, logos and designs, are the property of Fox Electronics or their respective third party owners. For datasheet type definitions and a glossary of common terms, visit <http://www.foxonline.com/tgcrystals.html>.

	Title / Description: K135 STANDARD SPECIFICATIONS	
	Drawing Number: 100973	Size: A
	Part Number:	Cage: 61429
	Draftsperson: CMR	Approved: BEC
		Revision Date: 04/28/2017

Mouser Electronics

Authorized Distributor

Click to View Pricing, Inventory, Delivery & Lifecycle Information:

Fox:

[FX135A-327](#) [FX135B-327](#)