

**Model 72902, 72902-0, 72902-2, 72903  
Micro SMD Grabber Test Clips, Holding Rod and Kit**

**72902, Micro SMD Grabber Test Clips Kit**

**Features**

- Kit includes: 12 grabbers (2 of each color) in black (model 72902-0), red (model 72902-2), yellow, green, blue and white.
- 6 black holding rods to reinforce connection positions during side-by-side measurements, model 72903.
- 12 black micro leads with 0.8mm female / 0.8mm male connectors.
- **Grabbers are designed for easy attachment to SMD chips with pitches down to 0.008" (0.20mm).**
- Thin yet durable design permits attachment with close spacing in tight areas.
- Insulated tip minimizes shorting on adjacent pins.
- Gold plating for low resistance connections.



**Model 72902  
Micro SMD Grabber Test Clips Kit**

**Ratings**

For CE Compliance and for personal safety, do not hold in hand when voltages exceed 33 Vrms/70 Vdc.  
Maximum voltage for hands free use: 70 Vrms max.

*Ordering Information listed on page 2 of this datasheet.*

**72903, Holding Rod for Micro SMD Grabber Test Clip**

**Features**

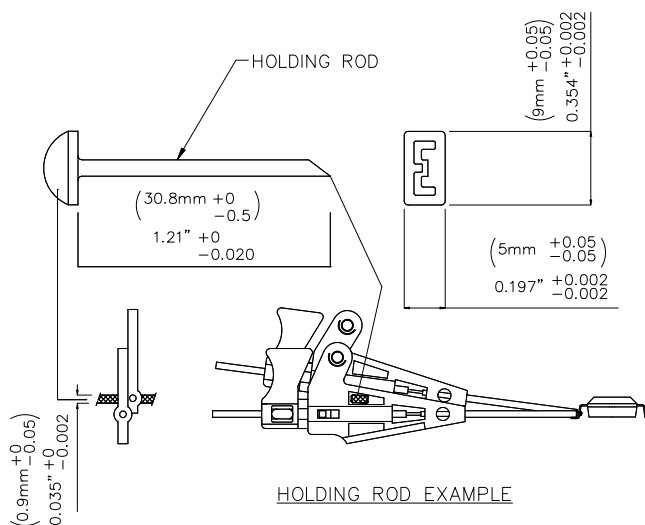
- Holding rods to reinforce SMD Grabber (model 72902) connection positions during side-by-side measurements.

**Materials**

- Black Polyamide



**Model 72903  
Holding Rod**



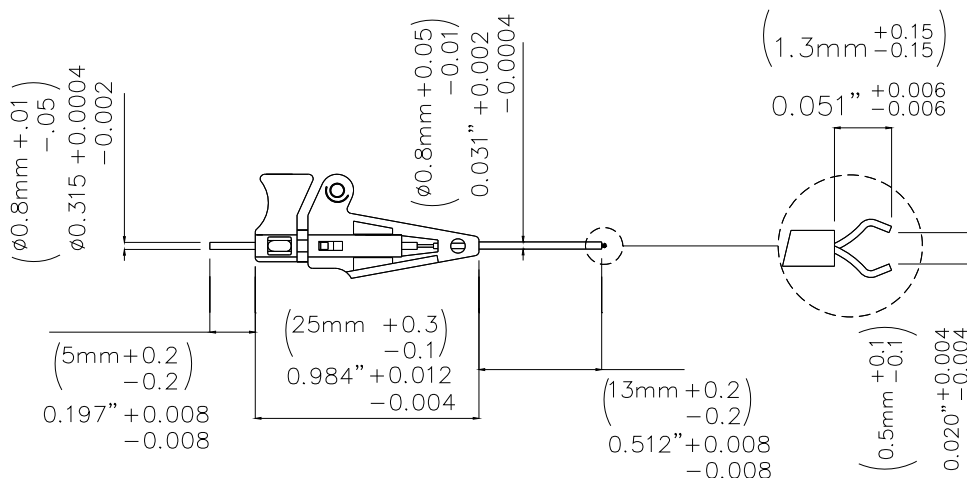
*Ordering Information listed on page 2 of this datasheet.*

**USA:** Sales: 800-490-2361  
Technical Support: [technicalsupport@pomonatest.com](mailto:technicalsupport@pomonatest.com)  
Fax: 425-446-5844  
**Europe:** 31-(0) 40 2675 150 **International:** 425-446-5500  
**Where to Buy:** [www.pomonaelectronics.com](http://www.pomonaelectronics.com)

All dimensions are in inches. Tolerances (except noted): .xx = ±.02" (.51 mm), .xxx = ±.005" (.127 mm). All specifications are to the latest revisions. Specifications are subject to change without notice. Registered trademarks are the property of their respective companies.

**Model 72902, 72902-0, 72902-2, 72903**  
**Micro SMD Grabber Test Clips, Holding Rod and Kit**

**72902-0 & 72902-2, Micro SMD Grabber Test Clips**



**Features**

- Designed for easy attachment to SMD chips with pitches down to 0.008" (0.20mm).
- Thin yet durable design permits attachment with close spacing in tight areas.
- Insulated tip minimizes shorting on adjacent pins.
- Gold plating for low resistance connections.
- Easy attachment to standard test leads.
- Holding rods available to reinforce connection positions during side-by-side measurements (order Pomona model number 72903).

**Ratings**

For CE Compliance and for personal safety, do not hold in hand when voltages exceed 33 Vrms/70 Vdc. Maximum voltage for hands free use: 70 Vrms max.

Current: 1 maxi 500 mA  
Voltage: Less than 33 Vac/70 Vdc  
Temperature: -20°C to +80°C (-4°F to +176°F)  
Resistance: Less than 200 mΩ

**Ordering Information**

Model: **72902** (Kit pictured on page 1)  
Model: **72902-\*** (Grabber pictured on the right)  
(\*=Color, Available Colors: -0 (Black), -2 (Red))  
Model: **72903** (Holding Rods on page 1, sold 10 per package)



**Model 72902-0 & 72902-2**  
**Micro SMD Grabber Test Clips**

**USA:** Sales: 800-490-2361  
Technical Support: [technicalsupport@pomonatest.com](mailto:technicalsupport@pomonatest.com)  
Fax: 425-446-5844  
**Europe:** 31-(0) 40 2675 150 **International:** 425-446-5500  
**Where to Buy:** [www.pomonaelectronics.com](http://www.pomonaelectronics.com)

All dimensions are in inches. Tolerances (except noted): .xx = ±.02" (.51 mm), .xxx = ±.005" (.127 mm). All specifications are to the latest revisions. Specifications are subject to change without notice. Registered trademarks are the property of their respective companies.

# Mouser Electronics

Authorized Distributor

Click to View Pricing, Inventory, Delivery & Lifecycle Information:

Pomona:

[72902-2](#) [72902-0](#) [72903](#)