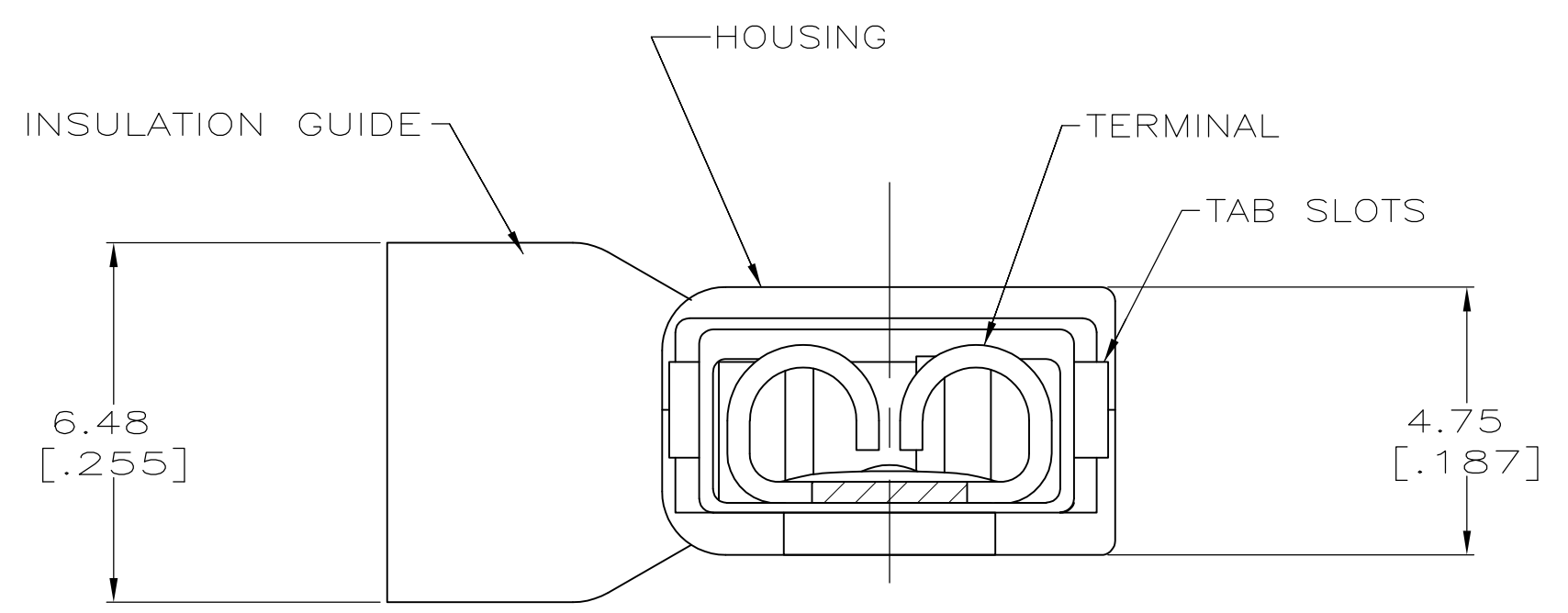
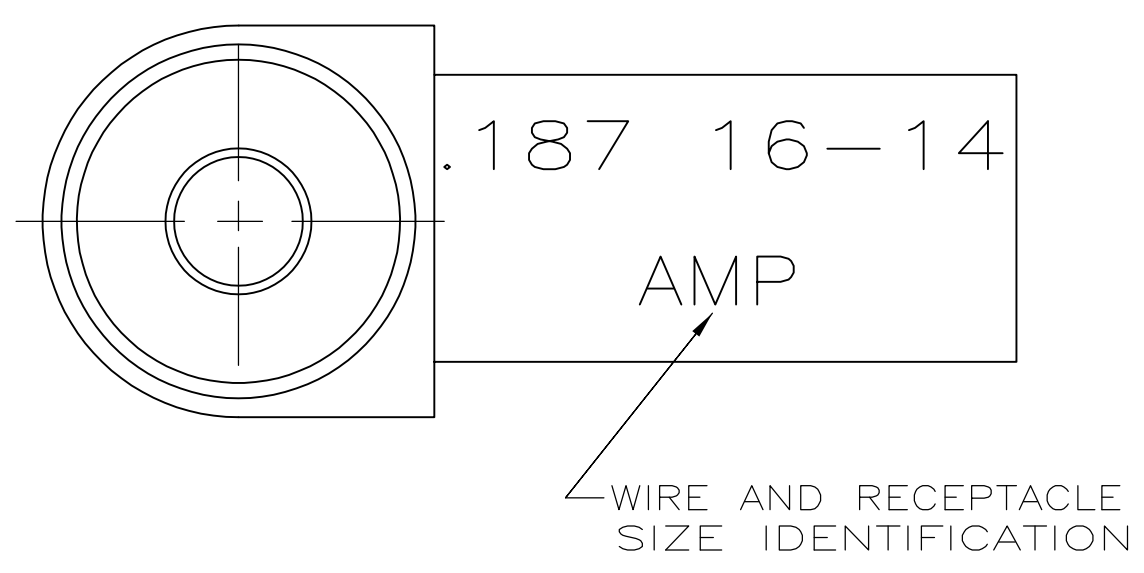
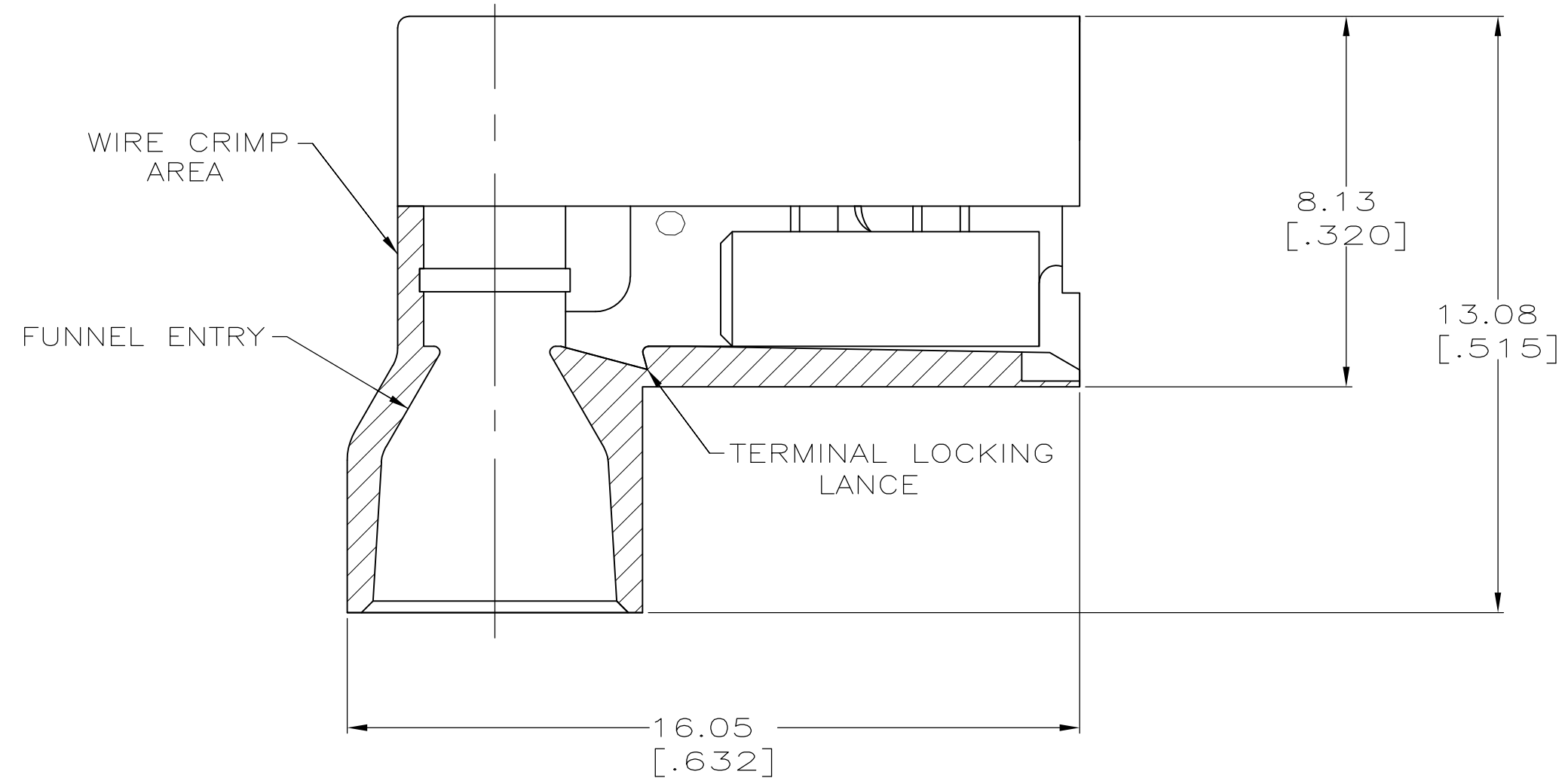


THIS DRAWING IS UNPUBLISHED. RELEASED FOR PUBLICATION  
 © COPYRIGHT - By - ALL RIGHTS RESERVED.

LOC		DIST		REVISIONS			
P	LTR	DESCRIPTION		DATE	DWN	APVD	
AF	50	J		REVISED PER ECR-13-004343	30JUL13	KH	KR

- 1 FITS 0.51±0.025 X 4.75 [.020±.001 X .187] TAB
- 2 WIRE SIZE: 1.3-2.0mm<sup>2</sup> [16-14 AWG], STRANDED ONLY. STRIP LENGTH 7.14 [.281]
- 3 INSULATION SIZE: 4.70 [.185] MAX DIA.
- 4 SUPPLIED AS LOOSE PIECE.



OBSOLETE	TYPE 6/6 NYLON	BLUE TRANSLUCENT	0.41 [.016] #4H PH BRZ	TIN	3-520339-4
	TYPE 6/6 NYLON	BLUE TRANSLUCENT	BRASS	TIN	3-520339-2
	MATERIAL	COLOR	MATERIAL	FINISH	PART NO
	HOUSING		TERMINAL		

THIS DRAWING IS A CONTROLLED DOCUMENT.		DWN P FORTNEY 8/10/90	 TE Connectivity RECEPTACLE ASSEMBLY, ULTRA-FAST FLAG, 4.75 [.187] SERIES, LOOSE PIECE		
DIMENSIONS: mm [INCHES]		CHK MS FEHER 8/23/90			
TOLERANCES UNLESS OTHERWISE SPECIFIED:		APVD D BRATINA 8/24/90			
0 PLC ± - 1 PLC ± - 2 PLC ± 0.38 [.015] 3 PLC ± - 4 PLC ± - ANGLES ± -		PRODUCT SPEC 108-2043	NAME		
MATERIAL SEE TABLE		APPLICATION SPEC 114-2123	SIZE A2	CAGE CODE 00779	DRAWING NO C=520339
FINISH SEE TABLE		WEIGHT -	RESTRICTED TO -		
CUSTOMER DRAWING			SCALE 8:1	SHEET 1 of 1	REV J

# Mouser Electronics

Authorized Distributor

Click to View Pricing, Inventory, Delivery & Lifecycle Information:

[TE Connectivity:](#)

[8-520339-1](#)