

Max. 222 m³/h

DC axial fans

□ 80 x 38 mm



- **Material:** Housing: GRP¹⁾ (PBT)
Impeller: GRP¹⁾ (PA)
 - **Direction of air flow:** Exhaust over struts
 - **Direction of rotation:** Counterclockwise, looking towards rotor
 - **Connection:** Via single wires AWG 24 (H3 and H4: AWG 22), TR 64
 - **Weight:** 160 g (H3 and H4: 200 g)
- **Possible special versions:** (See chapter DC fans - specials)
 - Speed signal
 - Go / NoGo alarm
 - Alarm with speed limit
 - External temperature sensor
 - Internal temperature sensor
 - PWM control input
 - Analog control input
 - Moisture protection
 - Degree of protection: IP 54

1) Fiberglass-reinforced plastic

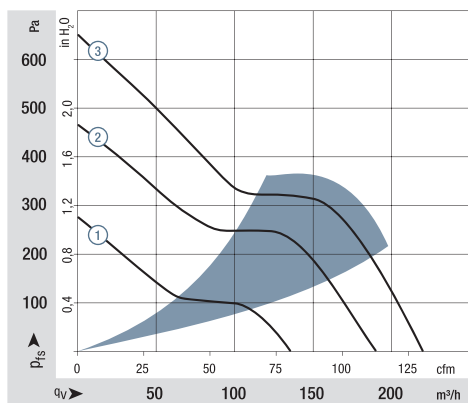
Series 8200 J

Nominal data

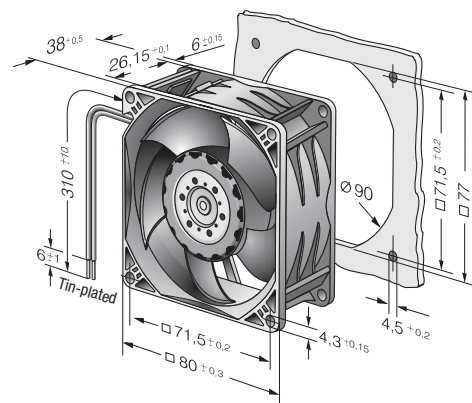
Type	Air flow m ³ /h	Air flow cfm	Nominal voltage VDC	Voltage range VDC	Sound pressure level dB(A)	Sound power level Bel(A)	Sinter sleeve bearings Ball bearings	Power consumption Watts	Nominal speed rpm ⁻¹	Temperature range °C	Service life L ₁₀ (40 °C) ebm-papst standard Hours	Service life L ₁₀ (T _{max}) ebm-papst standard Hours	Life expectancy L ₁₀ (IPC (40 °C) see page 17 Hours	Curve
8212 JN	132	78	12	7...13.8	55	6.6	■	10	8 400	-20...+70	62 500 / 32 500	105 000	105 000	①
8212 JH3 <i>S-Force</i>	190	112	12	6...13.8	66	7.3	■	26*	12 000	-20...+70	55 000 / 27 500	92 500	92 500	②
8212 JH4 <i>S-Force</i>	222	131	12	6...13.8	71	7.8	■	39*	14 000	-20...+70	50 000 / 25 000	85 000	85 000	③
8214 JN	132	78	24	18...26.4	55	6.6	■	11	8 400	-20...+70	62 500 / 32 500	105 000	105 000	①
8214 JH3 <i>S-Force</i>	190	112	24	12...27.6	66	7.3	■	26*	12 000	-20...+70	55 000 / 27 500	92 500	92 500	②
8214 JH4 <i>S-Force</i>	222	131	24	12...27.6	71	7.8	■	38*	14 000	-20...+70	50 000 / 25 000	85 000	85 000	③
8218 JN	132	78	48	36...53	55	6.6	■	11	8 400	-20...+70	62 500 / 32 500	105 000	105 000	①
8218 JH3 <i>S-Force</i>	190	112	48	36...53	66	7.3	■	25*	12 000	-20...+70	55 000 / 27 500	92 500	92 500	②
8218 JH4 <i>S-Force</i>	222	131	48	20...58	71	7.8	■	36*	14 000	-20...+70	50 000 / 25 000	85 000	85 000	③

Subject to change

8200 JH3 and JH4 also available as standard with PWM control input and speed signal.
Speed control range from 2000 rpm⁻¹ up to maximum nominal speed. Standstill at 0% PWM, maximum speed if control cable is interrupted.
* Power consumption at free air flow. These values can be significantly higher in the operating point.



Air performance measured according to: ISO 5801.
Installation category A, without contact protection.
Noise: Total sound power level L_{WA} ISO 103002 measured on a hemisphere with a radius of 2 m.
Sound pressure level L_{pA} measured at 1 m distance from fan axis.
The values given are applicable only under the specified measuring conditions and may differ depending on the installation conditions.
In the event of deviation from the standard configuration, the parameters must be checked after installation!
For detailed information see <http://www.ebmpapst.com/general-conditions>



Mouser Electronics

Authorized Distributor

Click to View Pricing, Inventory, Delivery & Lifecycle Information:

[ebm-papst:](#)

[8212JN](#) [8214JN](#) [8218JN](#) [8218J/2H4](#) [8212J/2H4](#) [8214J/2H4](#) [8214JH4](#) [8218JH4](#) [8212JH4](#) [8214J/2H3](#) [8218JH3](#)
[8212JH3](#) [8214JH3](#) [8214J/2N](#) [8214J/2NP-001](#) [8218J/2NP-181](#) [8214JN/2NP-001](#) [8214J/2NP-015](#)