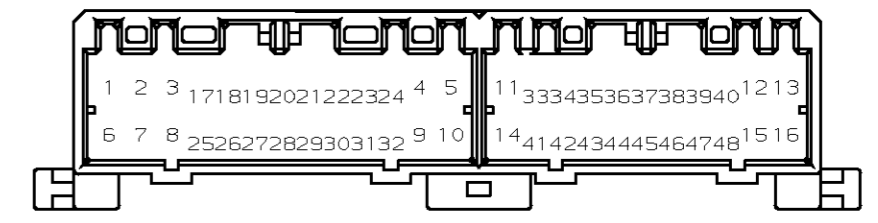
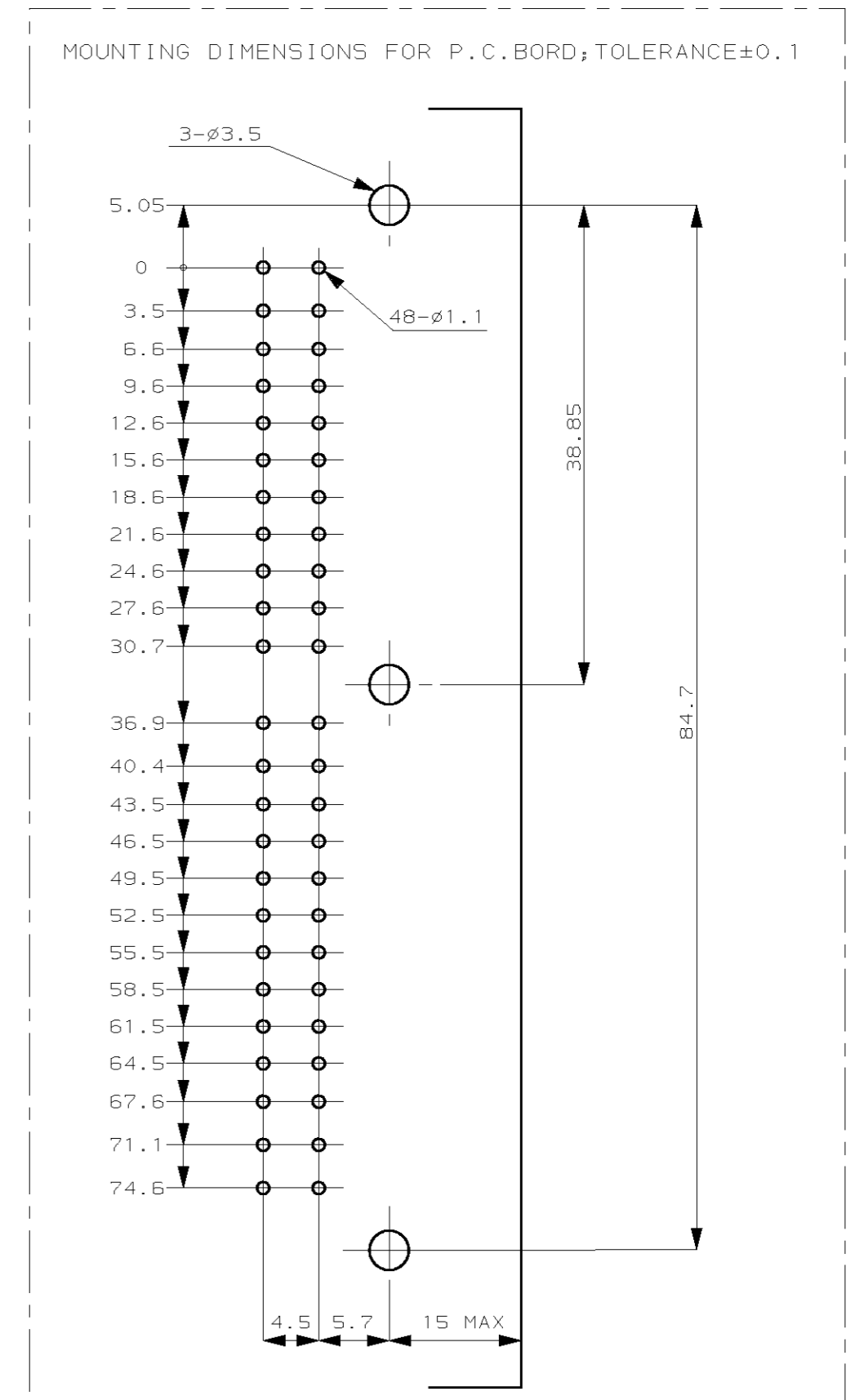
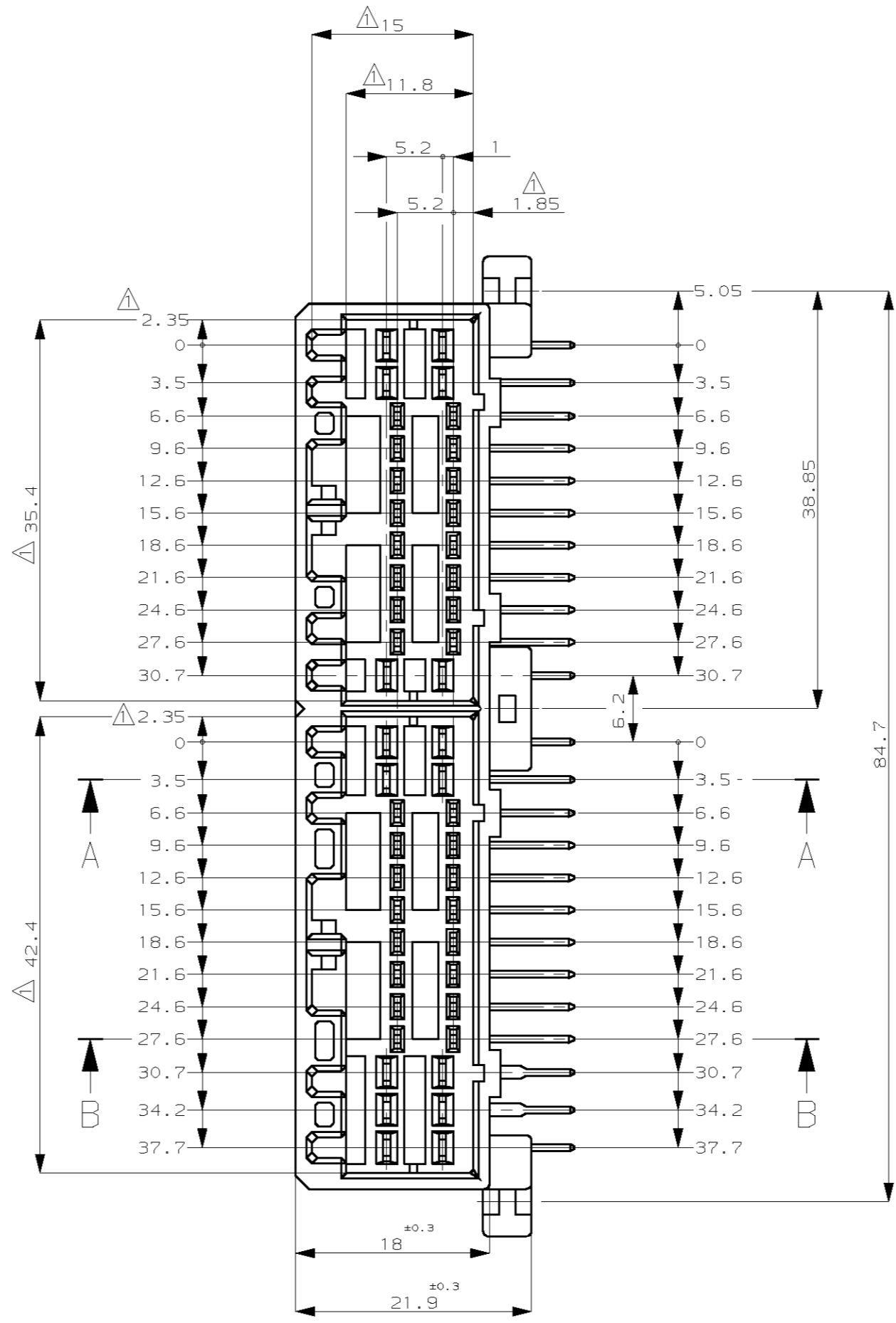
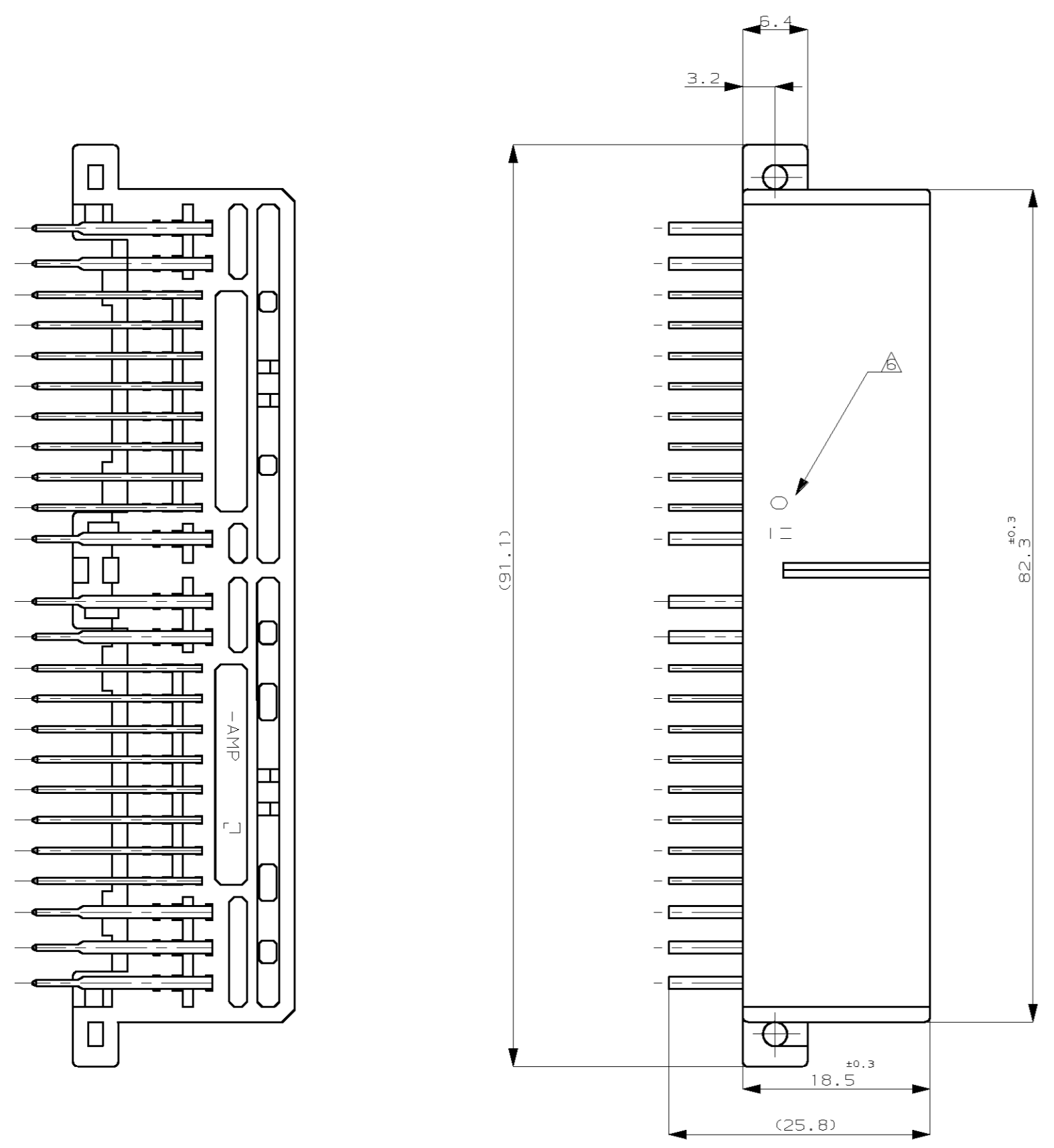
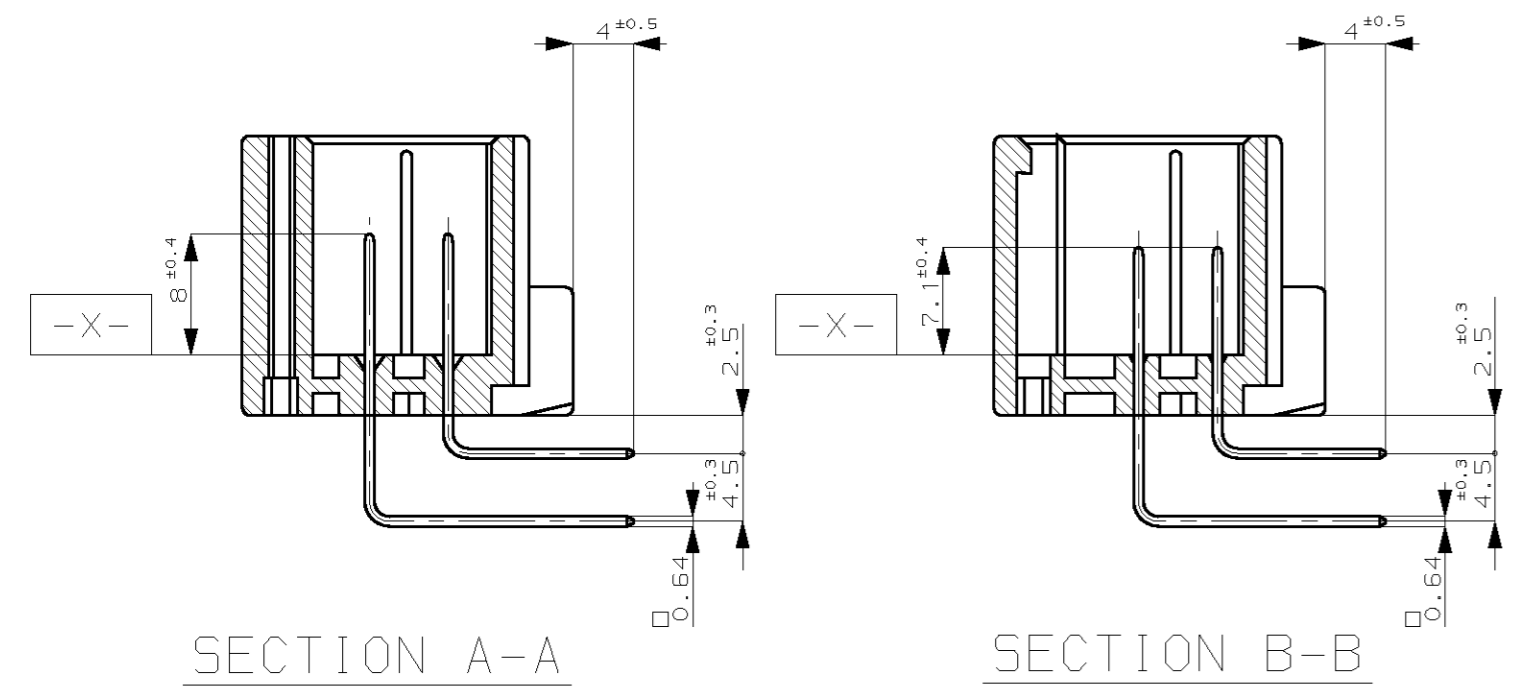


LOC	DIST	REVISIONS					
FX	00	P	LTR	DESCRIPTION	DATE	DWN	APVD
		0		RELEASED PER OK80-0244-01	13FEB02	AG	DR



NOTES

- MUST BE KEPT BETWEEN $\square-X$ AND 2
 - THE MATING PLUG HSG. PART NUMBER; 174515, 174516
 - RECOMMENDED MOUNTING SCREW; 3mm DIA, 6mm LENGTH (MAX.)
 PAN HEAD, CLASS 2 TAPPING SCREW SPECIFIED IN JIS B1115, B1122
 TIGHTENING TORQUE; 39N.cm (4Kgf.cm) MAX.
 - APPLICABLE PRODUCT SPEC NO. 108-5280
 - CIRCUIT NUMBER
 POWER CIRCUIT NO. ① - ⑩
 SIGNAL CIRCUIT NO. ⑪ - ④⑧
- △ INDICATED PREFIX AND MARK OF PRODUCT P/N BY HOT MARK



0	PRE-TINNED	GRAY	1438291-6
△ MARKING	FINISH OF CONTACT	POWER CIRCUIT NO. CIRCUIT NO. OF GOLD PLATED CONTACT	SIGNAL CIRCUIT NO. HOUSING COLOR
THIS DRAWING IS A CONTROLLED DOCUMENT.		DWN AJ GRAFF 13FEB02	AMP Incorporated Harrisburg, PA 17105-3608
DIMENSIONS: mm	TOLENCES UNLESS OTHERWISE SPECIFIED: 0-10 ±0.2 10-30 ±0.25 30-100 ±0.3 ± - ANGLES ±3°	CHK DM REVAK 13FEB02	NAME
		APVD DM REVAK 13FEB02	PRODUCT SPEC
			APPLICATION SPEC
MATERIAL HOUSING: PBT CONTACT: BRASS	FINISH SEE TABLE	WEIGHT -	SIZE A2
		CUSTOMER DRAWING	CAGE CODE 00779
			DRAWING NO 1438291
			RESTRICTED TO
		SCALE 2:1	SHEET 1 OF 1
			REV 0

1438291

Mouser Electronics

Authorized Distributor

Click to View Pricing, Inventory, Delivery & Lifecycle Information:

[TE Connectivity:](#)

[1438291-6](#)