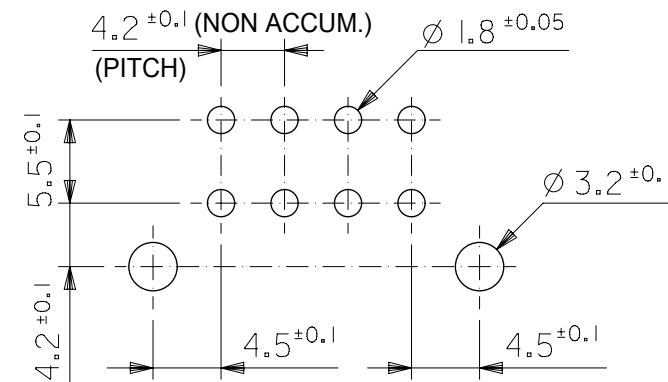
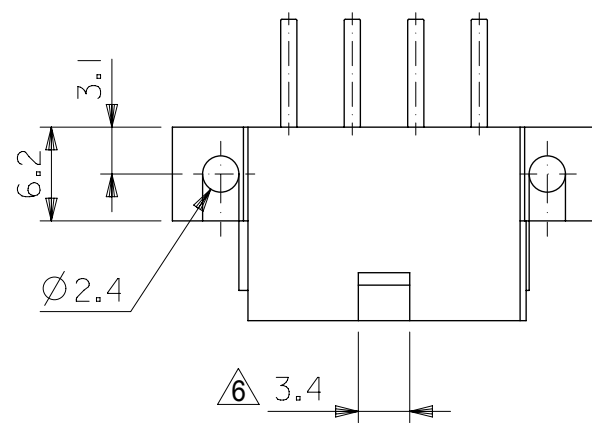


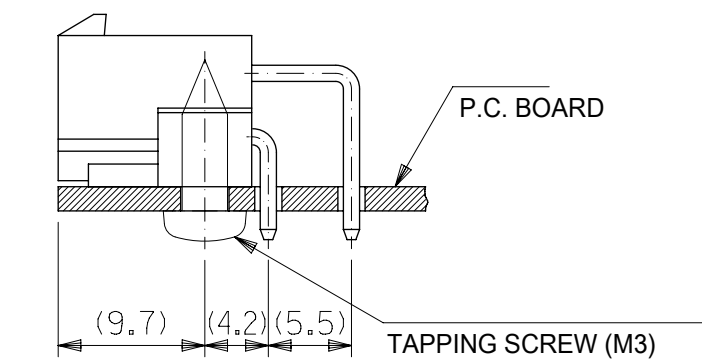
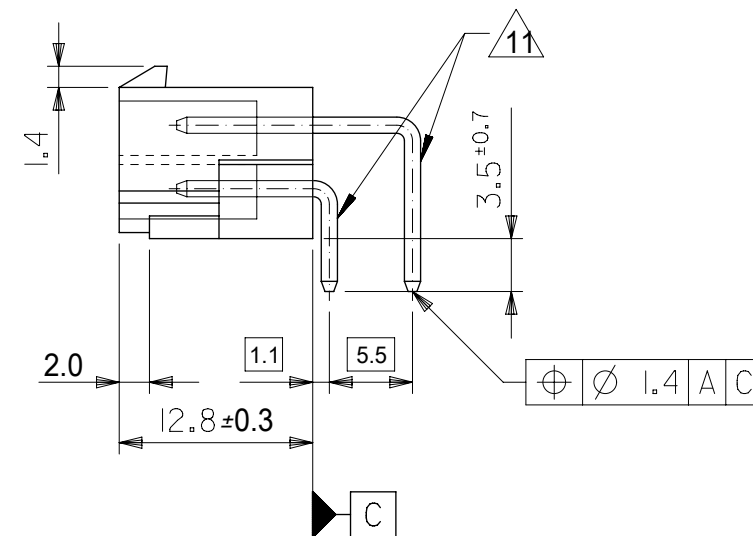
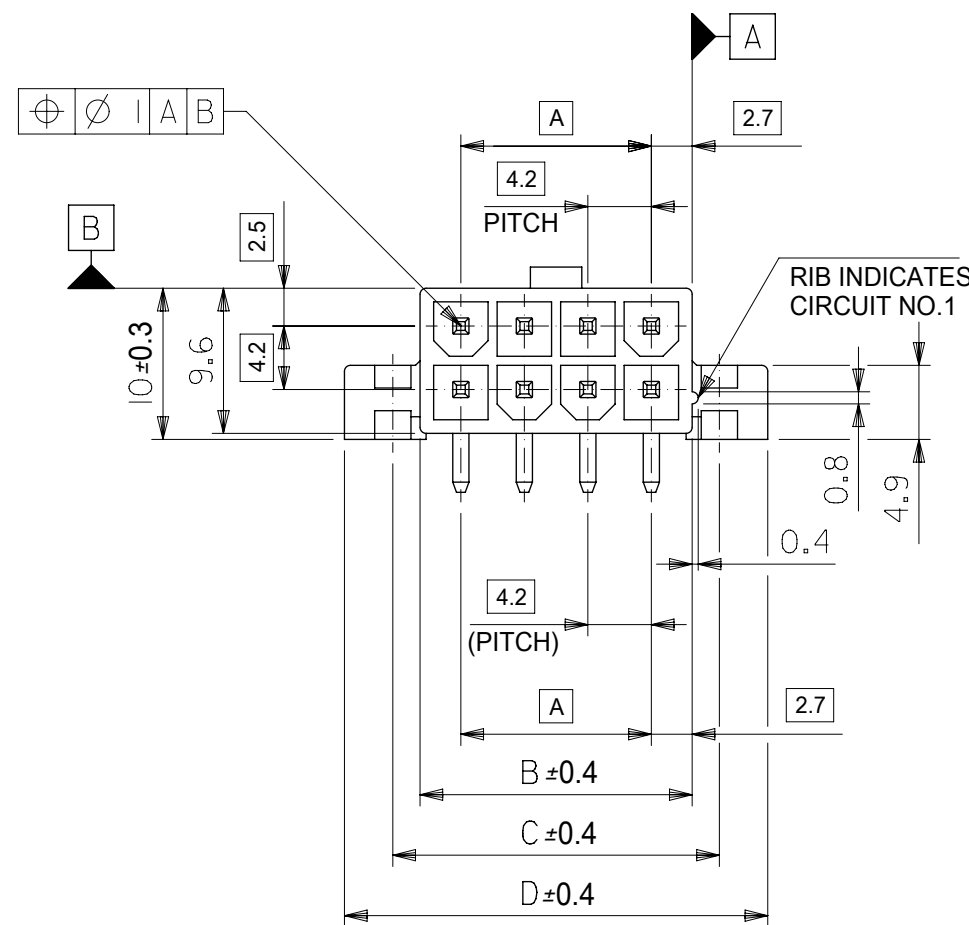
ENG. NO.	HEADER MATERIAL	FINISH OF PIN
5569-NA1-BLM	NYLON 66, UL94V-2, COLOR: BLACK	MATTE TIN 2.54µm MIN. OVER NICKEL 1.27µm MIN.

NOTES:

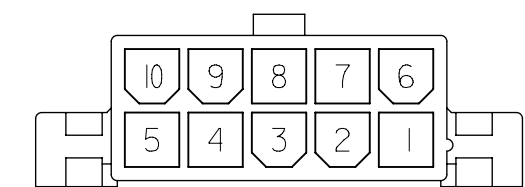
- MATERIAL:
HOUSING MATERIAL: SEE CHART
TERMINAL MATERIAL: BRASS ALLOY
- FINISH: SEE CHART
- PRODUCT SPECIFICATION: PS-5556-001
- PACKAGING SPECIFICATION: TBD
- MATES WITH 5557 SERIES MINIFIT JR RECEPTACLE
- FOR THE 2 CIRCUITS HEADER, THIS DIMENSION IS 4.2 MM
- DISCOLORATION IN THE BANDOLIER CARRIER AREA OF THE PIN IS INHERENT TO THE PLATING PROCESS AND IS DUE TO THE MASKING EFFECT OF THE CARRIER. THIS DISCOLORATION IS IN A NON-FUNCTIONAL AREA OF THE PIN AND WILL NOT AFFECT THE PERFORMANCE OF THE HEADER ASSEMBLY.
- PARTS ARE NOT DESIGNED FOR CURRENT SHARING.
- CONNECTORS ARE NOT TO BE MATED OR UNMATED WHILE CIRCUITS ARE LIVE.
- PART CONFORMS TO CLASS "B" REQUIREMENTS OF COSMETIC SPECIFICATION PS-45499-002.
- FORMING MARKS ON PINS ARE ACCEPTABLE.



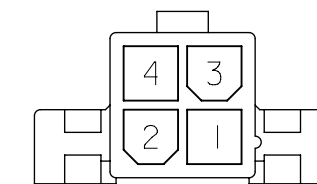
RECOMMENDED PCB HOLE LAYOUT
VIEWED FROM COMPONENT SIDE
1.78 MAX. THICK P.C. BOARD



RECOMMENDED INSTALLATION



10 CKTS.



4 CKTS.

CIRCUIT SIZE LAYOUT
(SCALE 2:1)

SYMBOLS										THIS DRAWING CONTAINS INFORMATION THAT IS PROPRIETARY TO MOLEX ELECTRONIC TECHNOLOGIES, LLC AND SHOULD NOT BE USED WITHOUT WRITTEN PERMISSION									
DIMENSION UNITS		SCALE		CURRENT REV DESC: MIGRATE TO ECTR															
	= 0	MM ONLY		2:1		<p>molex</p> <p>MINI FIT JR RIGHT ANGLE HEADER ASSY WITH FLANGES COLORED</p> <p>PRODUCT CUSTOMER DRAWING</p> <p>EC NO: 172489 DRWN: AZAHIROVIC 2017/11/28 CHK'D: JBELL 2018/02/20 APPR: FSMITH 2018/02/22</p> <p>INITIAL REVISION: DRWN: NNGUYEN 2011/10/25 APPR:</p> <p>DOCUMENT NUMBER: SD-5569-NA1-BLM DOC TYPE: PSD DOC PART: 001 REVISION: C</p> <p>MATERIAL NUMBER: SEE TABLE CUSTOMER: GENERAL MARKET SHEET NUMBER: 1 OF 1</p>													
	= 0	GENERAL TOLERANCES (UNLESS SPECIFIED)																	
	= 0	ANGULAR TOL ± 3.0°																	
	= 0	4 PLACES ±																	
	= 0	3 PLACES ±																	
	= 0	2 PLACES ± 0.2																	
	= 0	1 PLACE ± 0.2																	
	= 0	0 PLACES ±																	
	= 0	DRAFT WHERE APPLICABLE MUST REMAIN WITHIN DIMENSIONS																	
	= 0	THIRD ANGLE PROJECTION																	
DRAWING		SERIES		C-SIZE		5569													

32.2	25.8	22.2	16.8	39-31-0109	5569-10A1-BLM	10
19.6	13.2	9.6	4.2	39-31-0049	5569-04A1-BLM	4
D	C	B	A	EDP NO.	ENG. NO.	NO. OF CKTS.
DOCUMENT STATUS	P1	RELEASE DATE	2018/02/22	21:31:17		

Mouser Electronics

Authorized Distributor

Click to View Pricing, Inventory, Delivery & Lifecycle Information:

[Molex:](#)

[39-31-0049](#) [39-31-0109](#)