

PLEASE CHECK WWW.MOLEX.COM FOR LATEST PART INFORMATION

Part Number: [0940305011](#)
Status: **Active**
Overview: Standard Quick-Disconnect Terminals
Description: Quick Disconnect, Female, Flag, for (1.00-2.50mm²) 14-16 AWG Wire, Accepts 6.35 x 0.81mm Tab

Documents:

Drawing (PDF)	Product Specification PS-94030-002-001 (PDF)
Product Specification PS-94030-001-001 (PDF)	RoHS Certificate of Compliance (PDF)

General

Product Family	Quick Disconnects
Series	94030
Crimp Quality Equipment	Yes
Insulated	No
Overview	Standard Quick-Disconnect Terminals
Product Name	N/A
Type	Quick Disconnect
UPC	800754326889

Physical

Barrel Type	Open
Gender	Female
Glow-Wire Compliant	No
Insulation	None
Lock to Mating Part	None
Material - Metal	Brass
Material - Plating Mating	Tin
Material - Plating Termination	Tin
Net Weight	0.750/g
Orientation	Flag
Packaging Type	Reel
Plating min - Mating	2.540µm
Plating min - Termination	2.540µm
Polarized to Mating Part	Yes
Tab Thickness	0.81mm
Tab Width	6.35mm
Temperature Range - Operating	80°C
Termination Interface: Style	Crimp or Compression
Wire Insulation Diameter	2.70-4.30mm
Wire Size AWG	14, 16
Wire Size mm ²	1.00-2.50

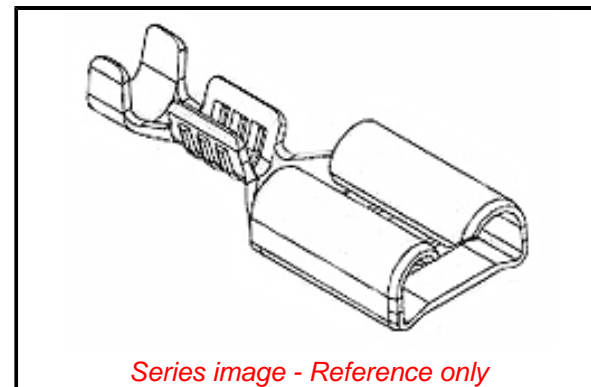
Electrical

Voltage - Maximum	N/A
-------------------	-----

Material Info

Reference - Drawing Numbers

Product Specification	PS-94030-001-001, PS-94030-002-001
Sales Drawing	SD-94030-037



Series image - Reference only

EU ELV

Compliant

EU RoHS

Compliant

REACH SVHC

Not Contained Per -
ED/21/2016 (20 June
2016)

Halogen-Free

Status

Not Relevant

Need more information on product environmental compliance?

Email productcompliance@molex.com
Please visit the [Contact Us](#) section for any non-product compliance questions.

China ROHS	Not Relevant
ELV	Compliant
RoHS Phthalates	Not Contained

Search Parts in this Series

[94030](#) Series

Use With

[94090-4030](#)

Application Tooling | FAQ

Tooling specifications and manuals are found by selecting the products below. Crimp Height Specifications are then contained in the Application Tooling Specification document.

Global

Description	Product #
Hand Tool for Quick Disconnect, Female Flag for 1.00 - 1.50mm ²	0638196600
Hand Tool for Quick Disconnect, Female	0638198500

Flag for 1.50 -
2.50mm²
Mini-Mac™ 0638950800
Applicator for Female
Flag QD Crimp
Terminals

This document was generated on 11/18/2016

PLEASE CHECK WWW.MOLEX.COM FOR LATEST PART INFORMATION

Mouser Electronics

Authorized Distributor

Click to View Pricing, Inventory, Delivery & Lifecycle Information:

[Molex:](#)

[94030-5011](#)