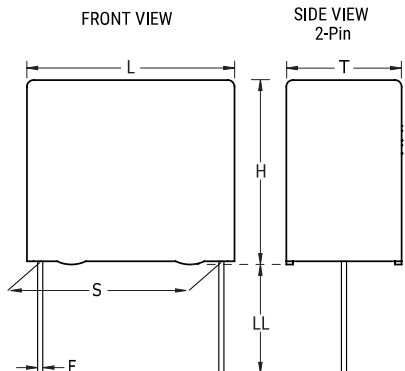


**KEMET Part Number: PHE820EB6100MR17**  
(F720BQ104M300A)

PHE820E/F720, Film, Metallized Polyester, Safety, 0.1 uF, 20%, 300 VAC (X2), 760 VDC, 100°C, Lead Spacing = 15mm



**Dimensions**

<b>L</b>	18mm MAX
<b>H</b>	16mm MAX
<b>T</b>	8.5mm MAX
<b>S</b>	15mm +/-0.4mm
<b>LL</b>	17mm -1mm
<b>F</b>	0.8mm NOM
<b>G</b>	0.5mm NOM

**Packaging Specifications**

<b>Packaging:</b>	Bulk, Bag
<b>Packaging Quantity:</b>	400

**General Information**

<b>Series:</b>	PHE820E/F720
<b>Dielectric:</b>	Metallized Polyester
<b>Style:</b>	Radial
<b>Features:</b>	EMI Safety
<b>RoHS:</b>	Yes
<b>Lead:</b>	Wire Leads
<b>Safety Class:</b>	X2
<b>Qualifications:</b>	ENEC, UL, cUL
<b>AEC-Q200:</b>	No
<b>Miscellaneous:</b>	SRF= 4.5 MHz
<b>Notes:</b>	Not For New Design, Please Check Possible Alternative Parts (AltPart)

**Specifications**

<b>Capacitance:</b>	0.1 uF
<b>Capacitance Tolerance:</b>	20%
<b>Voltage AC:</b>	300 VAC (X2)
<b>Voltage DC:</b>	760 VDC
<b>Temperature Range:</b>	-40/+100°C
<b>Rated Temperature:</b>	100°C
<b>Dissipation Factor:</b>	1.00% 1kHz
<b>Insulation Resistance:</b>	30 GOhms
<b>Max dV/dt:</b>	100 V/us