

# 1400N series

## Momentary pushbutton switches - snap-in mounting - square plunger

*Distinctive features and specifications*

UG1410A



- Butt action contacts, double break
- Solder lug, straight PC and quick-connect terminals

### ELECTRICAL SPECIFICATIONS

- Max. current/voltage rating with resistive load :
  - silver contacts (A) : 6A 12VDC
  - silver plated copper contacts (C) : 3A 12VDC
- Initial contact resistance : 10 mΩ
- Insulation resistance : 1.000 MΩ min. at 500VDC
- Dielectric strength :
  - 1.500 Vrms 50 Hz min. between terminals
  - 2.000 Vrms 50 Hz min. between terminals and metal panel
- Electrical life : 10.000 cycles at full load

### MATERIALS

- Case : polyamide
- Plunger : polyamide
- Contacts :
  - A : silver
  - C : copper, silver plated

### GENERAL SPECIFICATIONS

- Panel thickness : 2 mm (.078) max.
- Operating temperature : -20°C to +55°C

**Dimensions** : first dimensions are in mm while inches are shown as bracketed numbers.



**Packaging unit** : 60 pieces.

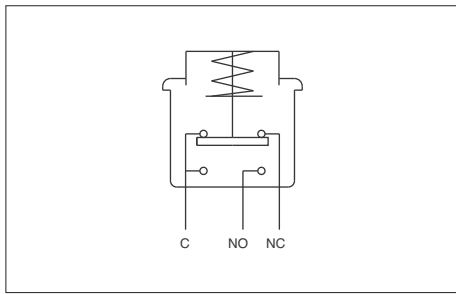
The company reserves the right to change specifications without notice.



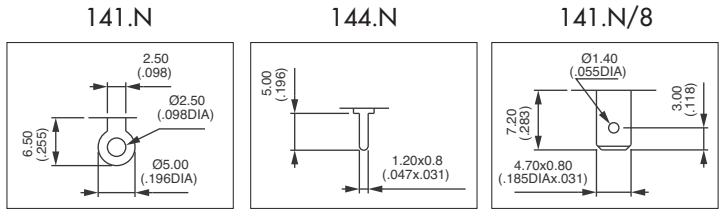
# 1400N series

## Momentary pushbutton switches - snap-in mounting - square plunger

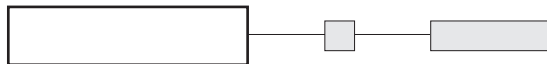
Solder lug, straight PC or quick-connect terminals



• Single pole configurations



MODEL STRUCTURE

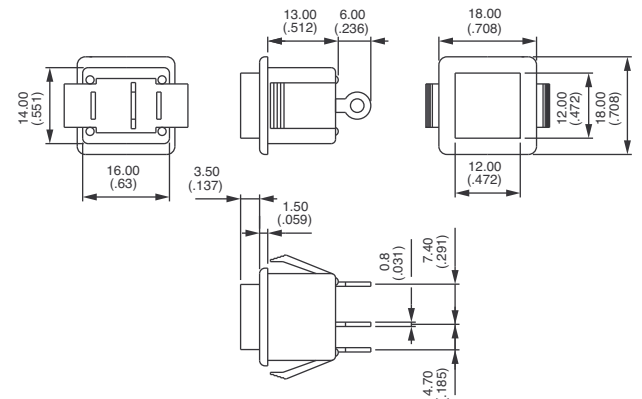


B2

### Solder lug terminals



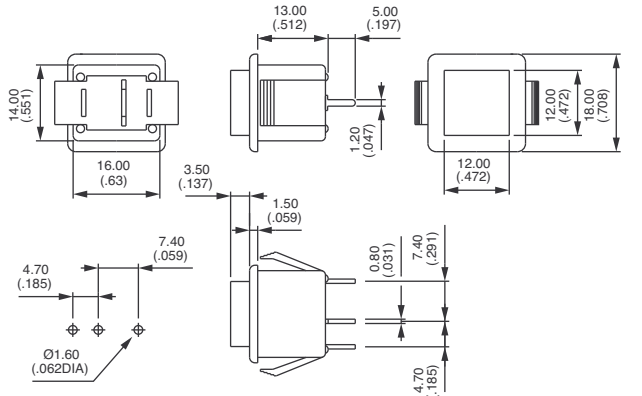
1412N		Normally Closed
1413N		Normally Open
1415N		Changeover



### Straight PC terminals



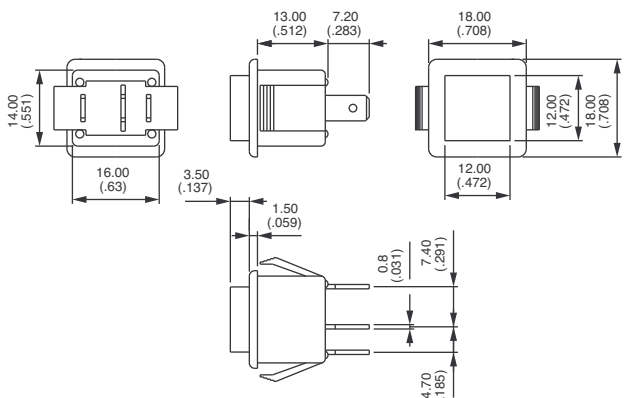
1442N		Normally Closed
1443N		Normally Open
1445N		Changeover



### Quick-connect terminals 4,7 x 0,8 (.185 x .031)



1412N/8		Normally Closed
1413N/8		Normally Open
1415N/8		Changeover

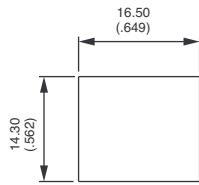


# 1400N series

Momentary pushbutton switches - snap-in mounting - square plunger

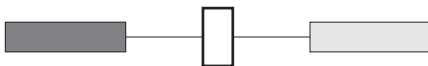
OPTIONS  
● ● ●

## PANEL CUT-OUT



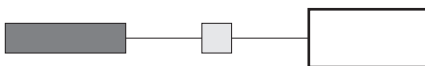
B2

## CONTACT MATERIALS



- A Silver
- C Copper, silver plated

## PLUNGER COLOURS



- 2 Black (standard)
- 3 Green
- 6 Red
- 7 Ivory



Switch frame supplied in black.

# Mouser Electronics

Authorized Distributor

Click to View Pricing, Inventory, Delivery & Lifecycle Information:

[Apem:](#)

[1415N8C6](#) [1413N8C3](#) [1413NC6](#) [1413N8C2](#) [1413N8C6](#) [1413N8C7](#) [1412NC6](#) [1445NC3](#) [1415N8C7](#) [1445NC6](#)  
[1442NC6](#) [1442NC7](#) [1443NC3](#) [1412NC3](#) [1412NC7](#) [1412N8C3](#) [1412N8C6](#) [1415N8C3](#) [1445NC7](#)