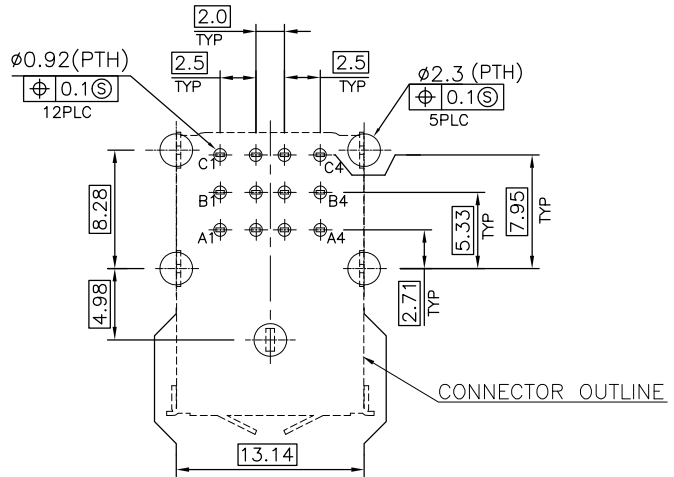
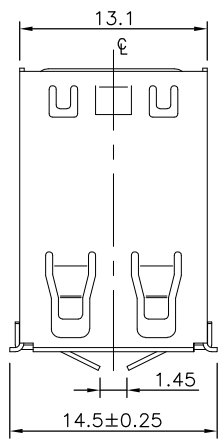


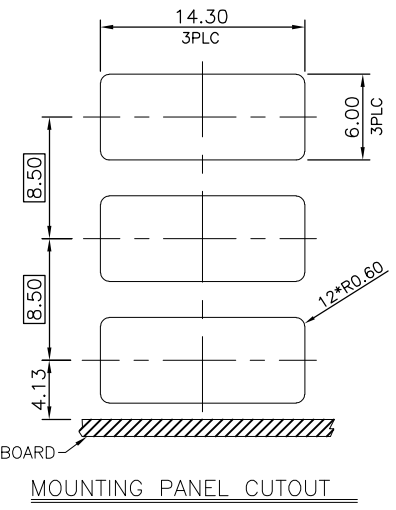
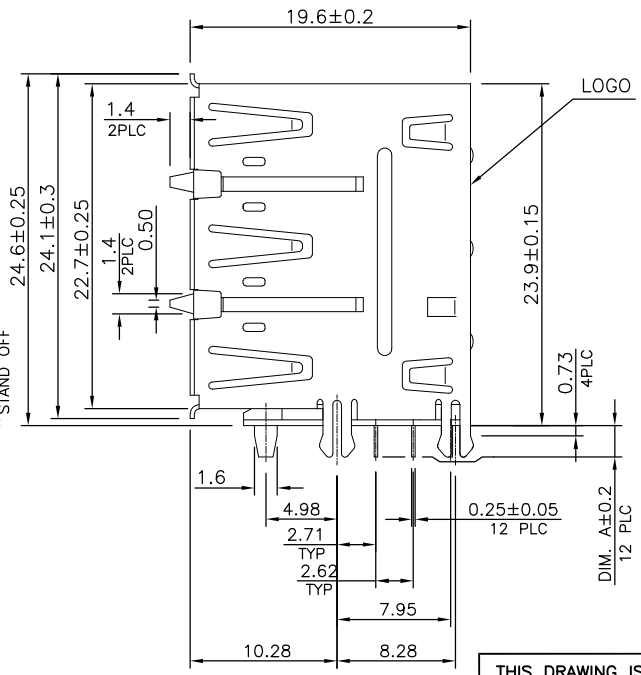
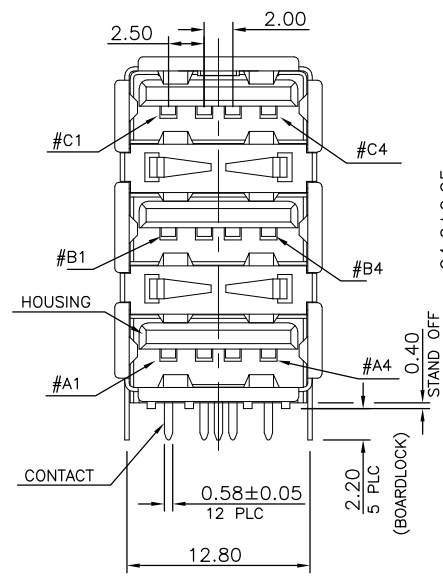
THIS DRAWING IS UNPUBLISHED. RELEASED FOR PUBLICATION
 © COPYRIGHT BY TYCO ELECTRONICS CORPORATION. ALL RIGHTS RESERVED.

LOC	DIST	REVISIONS				
P	LTR	DESCRIPTION	DATE	DWN	APVD	
DW		D3	REVISED (E-16-005542/P-16-013174)	13FEB17	A.X H.W	



RECOMMENDED PCB LAYOUT
 TOLERANCE: ±0.05mm

- NOTES:
- MATERIAL:
 HOUSING: A. PA6T WITH 30% GF, UL 94V-0, COLOR: SEE TABLE.
 B. PA9T WITH 33% GF, UL 94V-0, COLOR: BLACK.
 CONTACTS: PHOSPHOR BRONZE.
 SHELL: PHOSPHOR BRONZE.
 SPRING: STAINLESS.
 REAR SHELL: PHOSPHOR BRONZE.
 - FINISH:
 CONTACTS: GOLD PLATING (SEE TABLE) IN CONTACT AREA,
 2.54µm[100µ"] MIN. MATTE TIN PLATING ON SOLDERTAILS,
 1.27µm[50µ"] MIN. NICKEL UNDERPLATED OVER ALL.
 SHELL: 2.54µm[100µ"] MIN. NICKEL PLATING OVER ALL.
 SPRING: 1.27µm[50µ"] MIN. NICKEL PLATING.
 REAR SHELL: 1.27µm[50µ"] MIN. NICKEL PLATING.
 - RECOMMENDED PCB THICKNESS: 1.6mm.
 - WAVE SOLDER CAPABLE TO 265° PER TE CONNECTIVITY SPEC. 109-202, CONDITION B.
 - RELOW SOLDER CAPABLE TO 260° PER TE CONNECTIVITY SPEC. 109-201, CONDITION B.
 - "●" APPLIED FOR 1-1734309-5 ONLY
- △ OBSOLETE PARTS: OBSOLETE CIS STREAMLINING PER D.RENAUD/D.SINISI



STATUS	QTY	COLOR	FINISH	PART NUMBER
OBSOLETE	3.91	BLACK (426C)	15µ"	4-1734309-7
		BEIGE (726C)	15µ"	2-1734309-8
		BLACK (426C)	15µ"	2-1734309-7
OBSOLETE		BEIGE (726C)	30µ"	2-1734309-6
		BLACK (426C)	30µ"	2-1734309-5
OBSOLETE	2.84	BEIGE (726C)	5µ"	2-1734309-4
OBSOLETE		BLACK (426C)	5µ"	2-1734309-3
OBSOLETE		BEIGE (726C)	C/F	2-1734309-2
OBSOLETE		BLACK (426C)	C/F	2-1734309-1
△ OBSOLETE		BEIGE (726C)	15µ"	1734309-8
△ OBSOLETE		BLACK (426C)	15µ"	1734309-7
△ OBSOLETE		BEIGE (726C)	30µ"	1734309-6
		BLACK (426C)	30µ"	1734309-5
△ OBSOLETE	2.2	BEIGE (726C)	5µ"	1734309-4
		BLACK (426C)	5µ"	1734309-3
OBSOLETE		BEIGE (726C)	C/F	1734309-2
OBSOLETE		BLACK (426C)	C/F	1734309-1

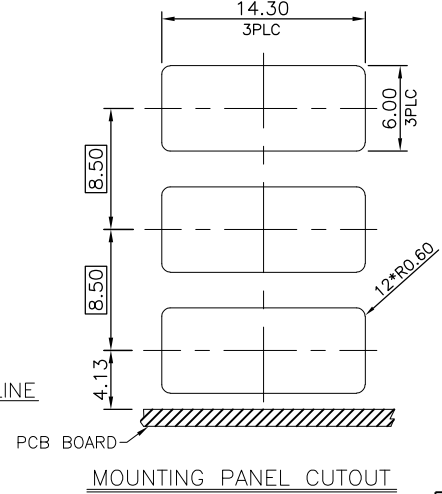
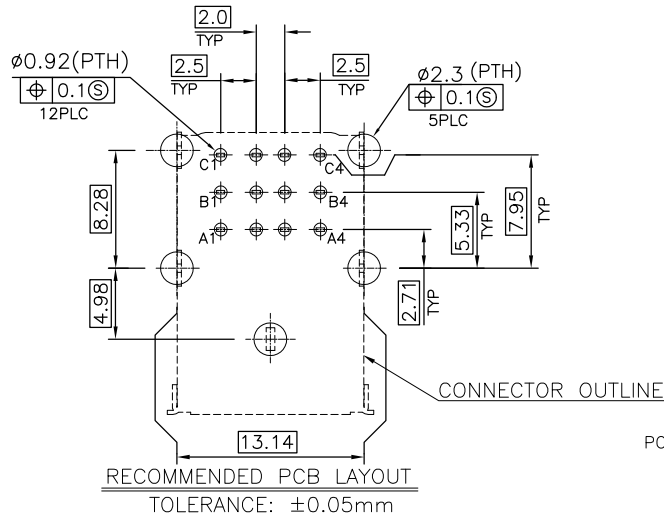
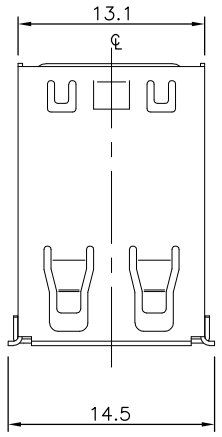
WITH SPRING

THIS DRAWING IS A CONTROLLED DOCUMENT.

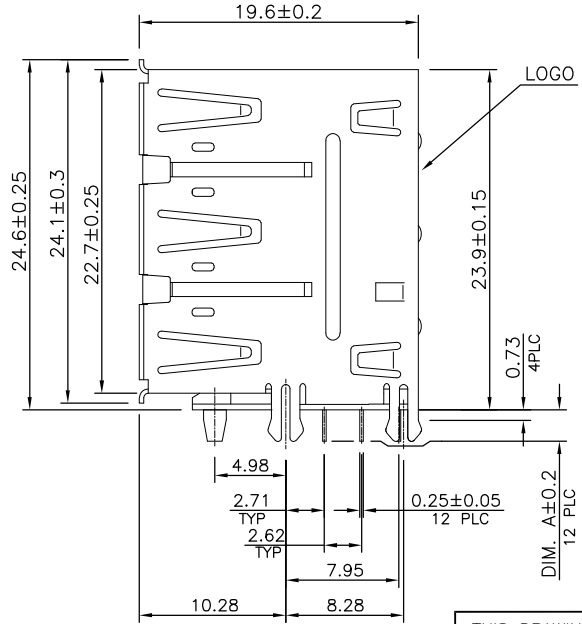
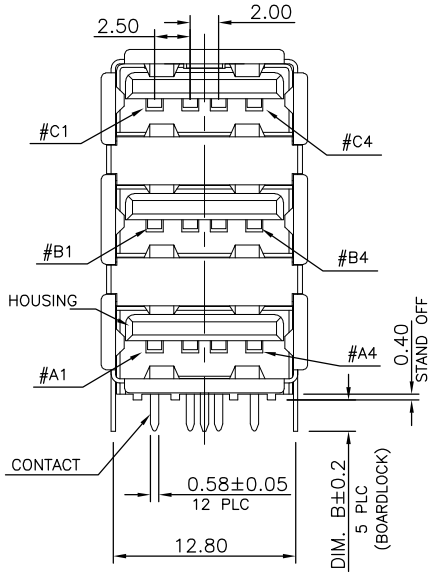
DIMENSIONS: MM	TOLERANCES UNLESS OTHERWISE SPECIFIED:	DWN B. HSING 06FEB2009	TE Connectivity
		CHK S. CHIEN 06FEB2009	
		APVD W. KODAMA 06FEB2009	NAME
		PRODUCT SPEC	TRIPLE STACKED USB, A TYPE, RECEPTACLE, R/A, DIP CONN.
		APPLICATION SPEC	108-57519
MATERIAL SEE NOTE	FINISH SEE NOTE	WEIGHT 9.2 GRAMS	SIZE A3 CAGE CODE 00779 DRAWING NO C=1734309 RESTRICTED TO
		CUSTOMER DRAWING	SCALE - SHEET 1 OF 3 REV D3

THIS DRAWING IS UNPUBLISHED. RELEASED FOR PUBLICATION
 © COPYRIGHT BY TYCO ELECTRONICS CORPORATION. ALL RIGHTS RESERVED.

LOC	DIST	REVISIONS					
DW		P	LTR	DESCRIPTION	DATE	DWN	APVD
				SEE SHEET 1.			



WITHOUT SPRING



	DIM B	DIM A	HOUSING COLOR	MIN. GOLD THICKNESS	PART NUMBER
△ OBSOLETE	2.84	2.84	BLACK (426C)	15µ"	5-1734309-7
△ OBSOLETE			-BEIGE (726C)	15µ"	3-1734309-8
△ OBSOLETE			-BLACK (426C)	15µ"	3-1734309-7
			-BEIGE (726C)	30µ"	3-1734309-6
			BLACK (426C)	30µ"	3-1734309-5
			-BEIGE (726C)	5µ"	3-1734309-4
			-BLACK (426C)	5µ"	3-1734309-3
			-BEIGE (726C)	G/F	3-1734309-2
			-BLACK (426C)	G/F	3-1734309-1
			-BEIGE (726C)	15µ"	1-1734309-8
			BLACK (426C)	15µ"	1-1734309-7
			-BEIGE (726C)	30µ"	1-1734309-6
			BLACK (426C)	30µ"	1-1734309-5
			-BEIGE (726C)	5µ"	1-1734309-4
			-BLACK (426C)	5µ"	1-1734309-3
			-BEIGE (726C)	G/F	1-1734309-2
			BLACK (426C)	G/F	1-1734309-1

THIS DRAWING IS A CONTROLLED DOCUMENT.

DWN
CHK
APVD
PRODUCT SPEC
APPLICATION SPEC
WEIGHT 9.0 GRAMS
CUSTOMER DRAWING

TE Connectivity

NAME
TRIPLE STACKED USB, A TYPE, RECEPTACLE, R/A, DIP CONN.

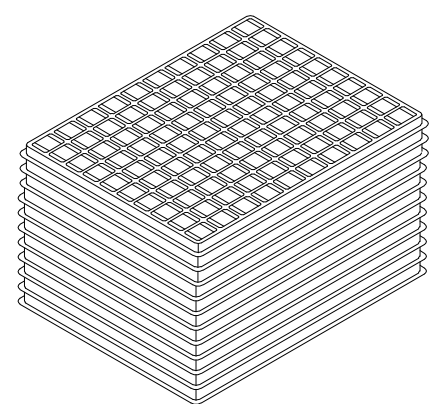
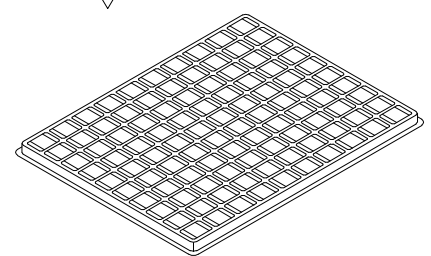
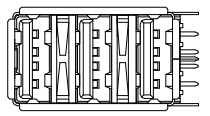
SIZE A3 CAGE CODE 00779 DRAWING NO C=1734309 RESTRICTED TO

SCALE - SHEET 2 OF 3 REV D3

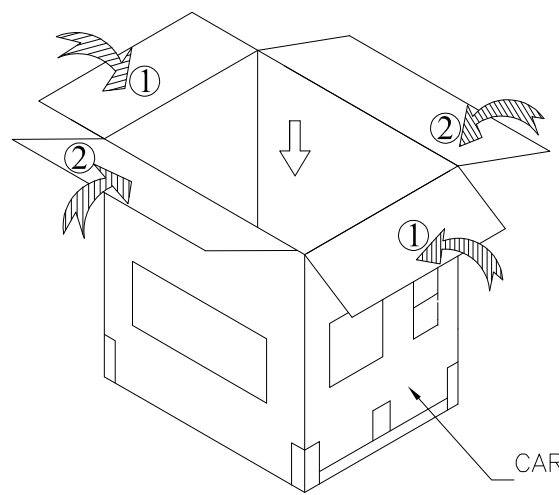
THIS DRAWING IS UNPUBLISHED. RELEASED FOR PUBLICATION
 © COPYRIGHT BY TYCO ELECTRONICS CORPORATION. ALL RIGHTS RESERVED.

LOC	DIST	REVISIONS					
DW		P	LTR	DESCRIPTION	DATE	DWN	APVD
				SEE SHEET 1.			

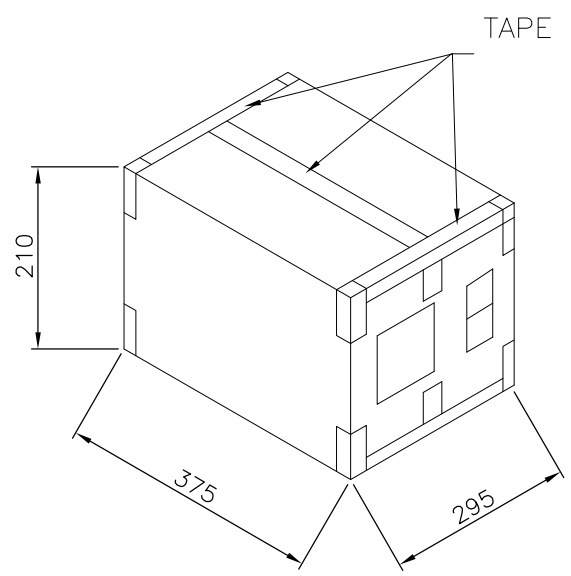
100PCS/TRAY



10 LAYERS



CARTON



13.0	12.0	100	10	1000
G/W (KG)	N/W (KG)	PCS/TRAY	TRAY/CARTON	PCS/CARTON

THIS DRAWING IS A CONTROLLED DOCUMENT.		DWN			
DIMENSIONS: MM		CHK			
		APVD	NAME		
TOLERANCES UNLESS OTHERWISE SPECIFIED:		PRODUCT SPEC	TRIPLE STACKED USB, A TYPE, RECEPTACLE, R/A, DIP CONN.		
0 PLC ± -		APPLICATION SPEC	SIZE	CAGE CODE	DRAWING NO
1 PLC ± -		WEIGHT	A3	00779	C=1734309
2 PLC ± -		RESTRICTED TO			
3 PLC ± -		CUSTOMER DRAWING			
4 PLC ± -		SCALE	SHEET	3 OF 3	REV D3
ANGLES ± -					
FINISH					

Mouser Electronics

Authorized Distributor

Click to View Pricing, Inventory, Delivery & Lifecycle Information:

[TE Connectivity:](#)

[1734309-5](#)