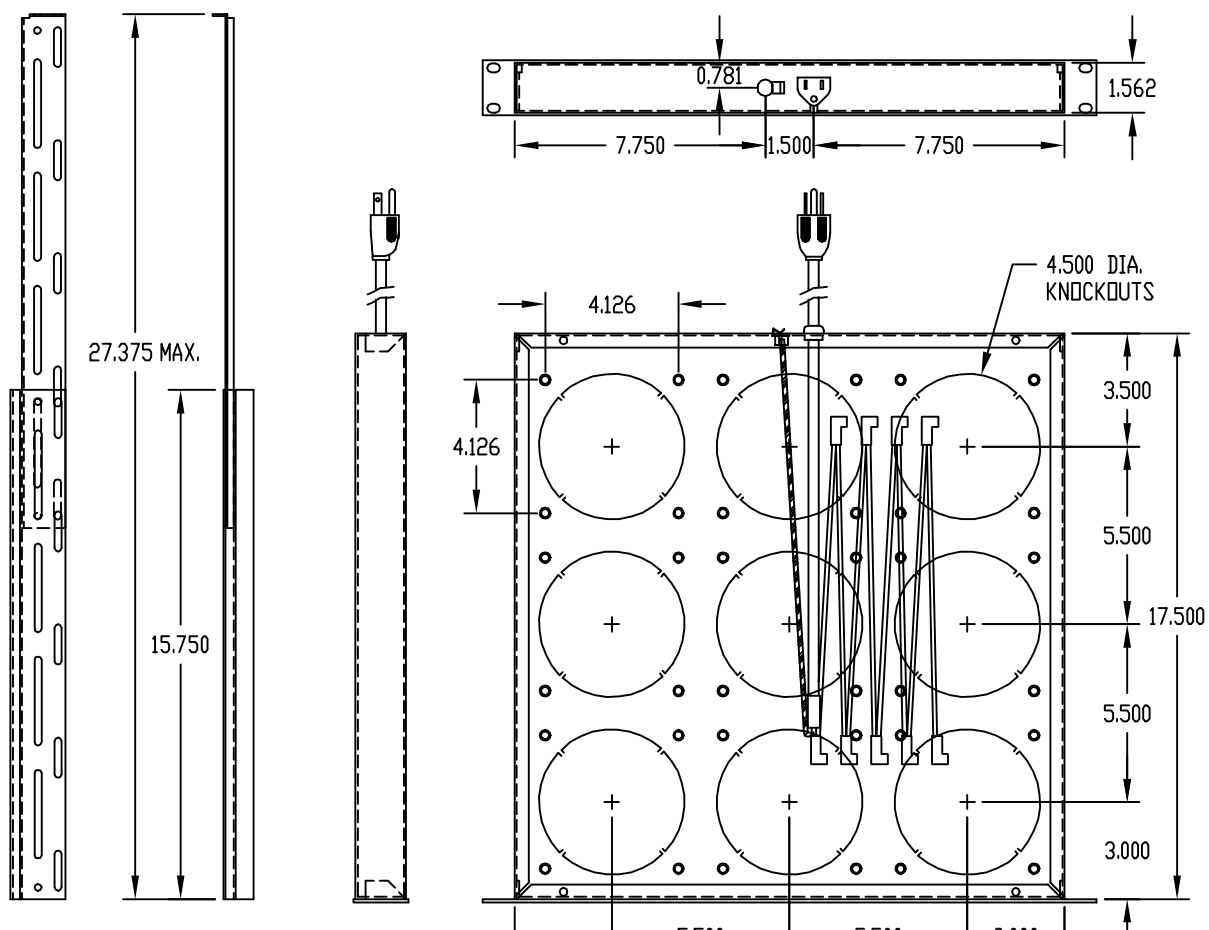


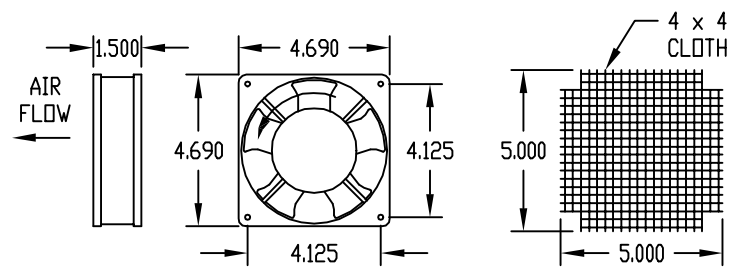
PART NAME FAN TRAY ASSEMBLY	PART No. FT-1170
------------------------------------	-------------------------



MATERIAL:
 FAN TRAY CHASSIS & SUPPORT ANGLES — 16 GA. STEEL
 PANEL — 12 GA. STEEL

FINISH:
 WHITE TEXTURED OR METALLIC GRAY
 0.278 x 0.406 OBLONG

PART NAME FAN	PART No. FN-1280
----------------------	-------------------------



4 x 4 MESH 23 GA. HARDWARE CLOTH FINGER GUARD (SUPPLIED)

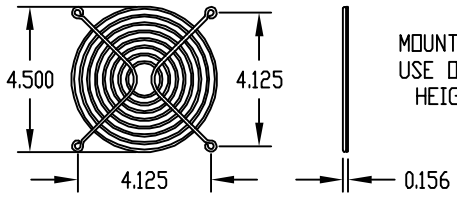
FAN HOUSING: ONE-PIECE ZINC DIE CASTING
 FINISH: PLAIN OR BLACK
 IMPELLER: THERMOPLASTIC (UL-94-V0)
 MOUNTING HARDWARE SUPPLIED

POWER	CFM	WATTS	TEMP. RANGE
115 V.A.C.	105	19/17	-20°C. TO +60°C.

PART NAME WIRE FORM FINGER GUARD	PART No. FG-1281
---	-------------------------

MATERIAL:
 RIBS — 0.091 DIA. STEEL WIRE
 RINGS — 0.071 DIA. STEEL WIRE

FINISH: ZINC PLATED



MOUNTING HARDWARE SUPPLIED.
 USE OR THIS ITEM INCREASES OVERALL HEIGHT OF FAN TRAY TO 1.875

Mouser Electronics

Authorized Distributor

Click to View Pricing, Inventory, Delivery & Lifecycle Information:

[Bud Industries:](#)

[FT-1170-WH](#) [FT-1170-MG](#) [FG-1281](#) [FN-1280](#)