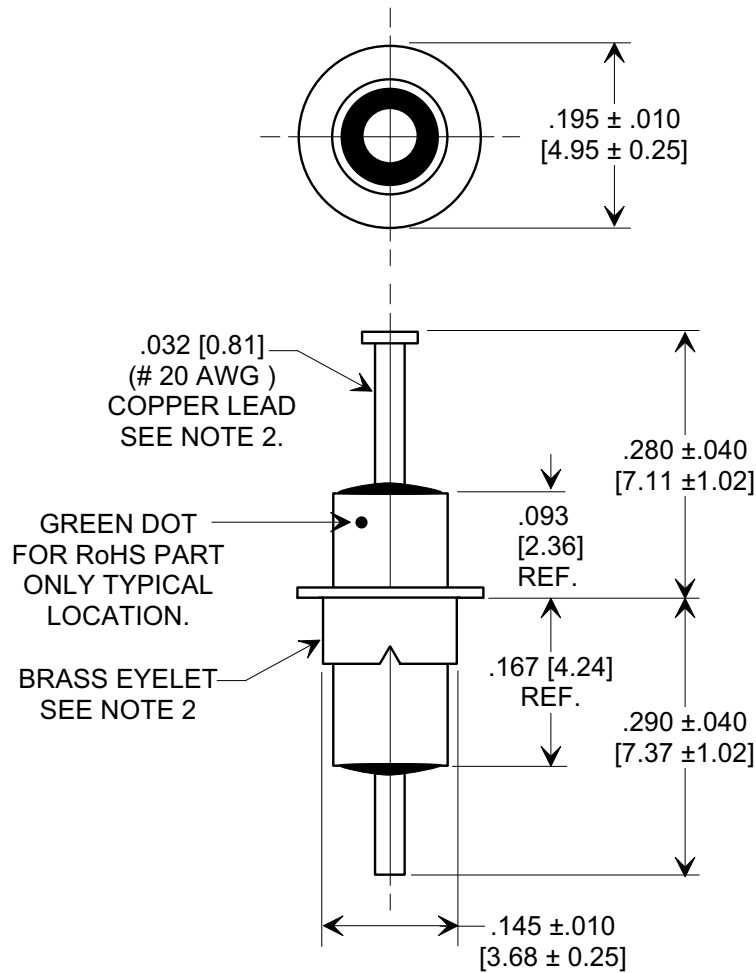
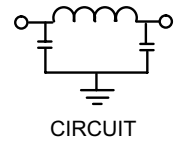
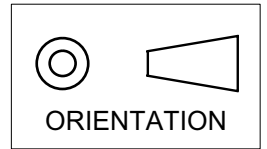


**MARKETING SALES DRAWING**  
**DIMENSIONS IN INCHES - DO NOT SCALE THIS DRAWING**  
**DIMENSIONS IN METRIC - [ ]**

Electrical Testing  
per Tusonix standard  
test plans and Mil-Std-202  
Test Methods.



**Notes:**

- Tusonix Standard part number: 4101-004.  
Tusonix RoHS compliant part number: 4101-004 LF.  
Customer must specify Standard or RoHS part number when ordering.
- Lead finish: Standard Part No.: 60/40 solder plated. RoHS Part No. Silver Plated.  
Eyelet finish Standard Part No.: 60/40 solder plated. RoHS Part No. Silver Plated.
- Part Marking: Standard has no marking. RoHS part: Green Dot.

MIN. CAP. (pF)	WORKING VOLTAGE (WVdc)		CURRENT Idc. (A)	I.R. MIN. @ 100 (VDC.)	DWV 25 SEC. (VDC)	MINIMUM NO LOAD INSERTION LOSS (dB) AT 25°C PER MIL-STD-220			
	85°C	125°C				10 MHz	100 MHz	1 GHz	10 GHz
1750	250	125	10	10 G Ω	500	5	50	60	60

X-2015 Rev-0	<b>REVISION RECORD</b>		<b>TUSONIX</b> TUCSON, ARIZONA	--TOLERANCES-- Unless Otherwise Specified		Title			
	Original Release C.O.	<b>0</b>		DECIMAL ± .031 [0.79]		<b>EYELET STYLE EMI FILTER</b>			
	RDN TO CMP FMT. S.M. 07-19-00	<b>20000914-3-05</b>		ANGLES ±				Drawn	S.M. 07-19-00
	REVIS TO STANDARDIZE DWG. ADDED IR & DWV. S.M. 09-13-05			<b>1</b>	<b>20050829-1-05</b>		Approved	T.C. 07-19-00	
				<b>A</b>		<b>4101-004</b>			

# Mouser Electronics

Authorized Distributor

Click to View Pricing, Inventory, Delivery & Lifecycle Information:

[Tusonix / CTS:](#)

[4101-001LF](#) [4101-505](#) [4101-004LF](#)