

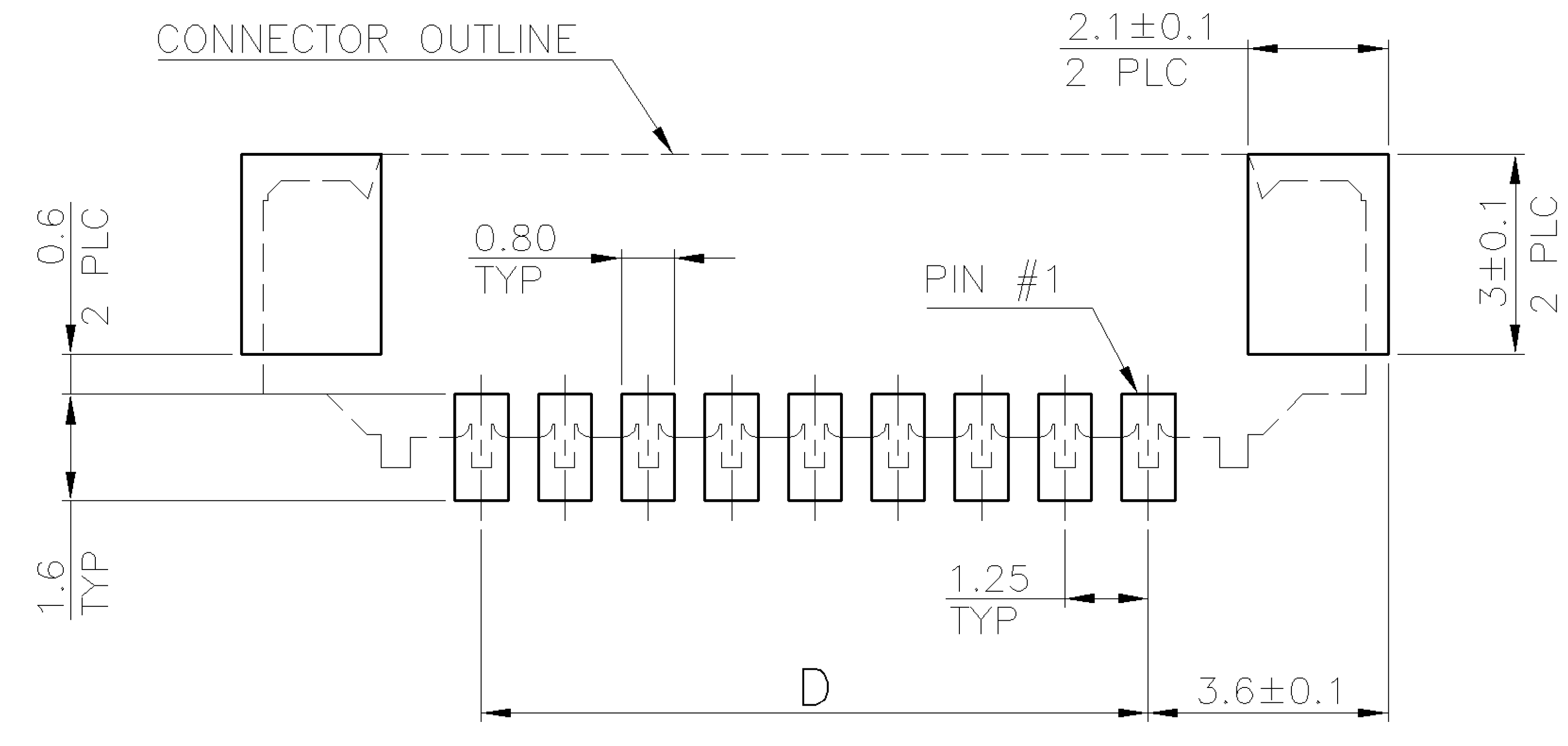
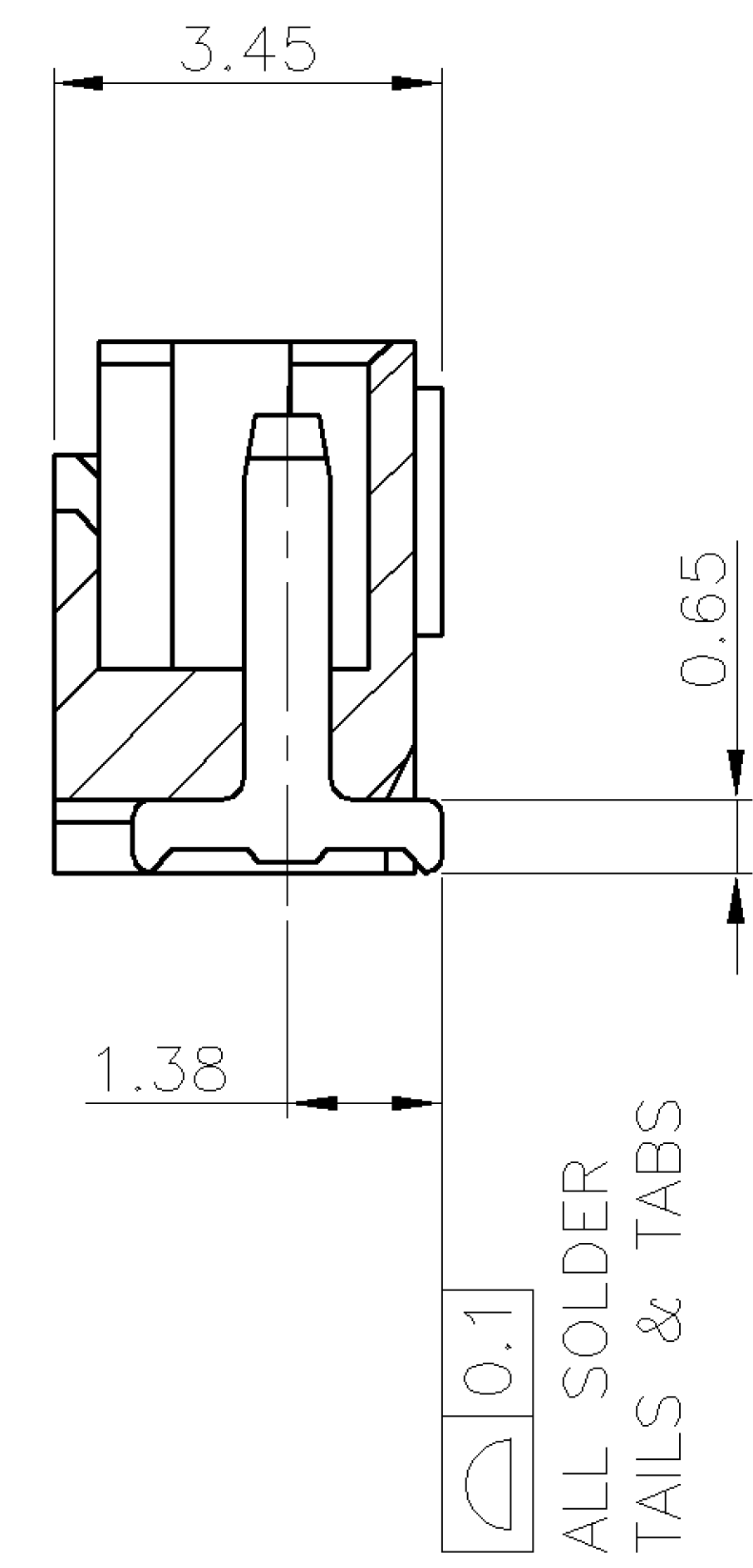
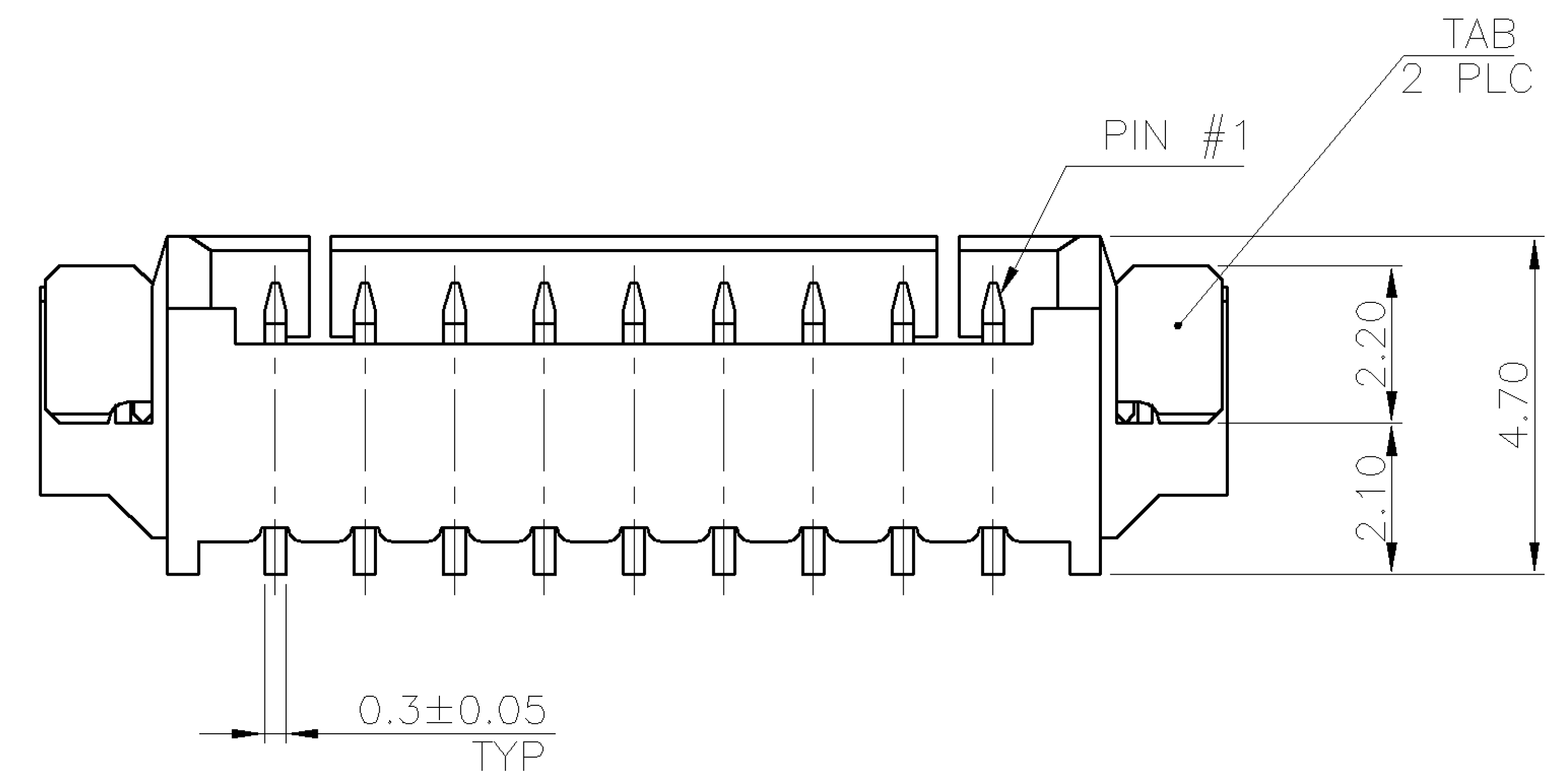
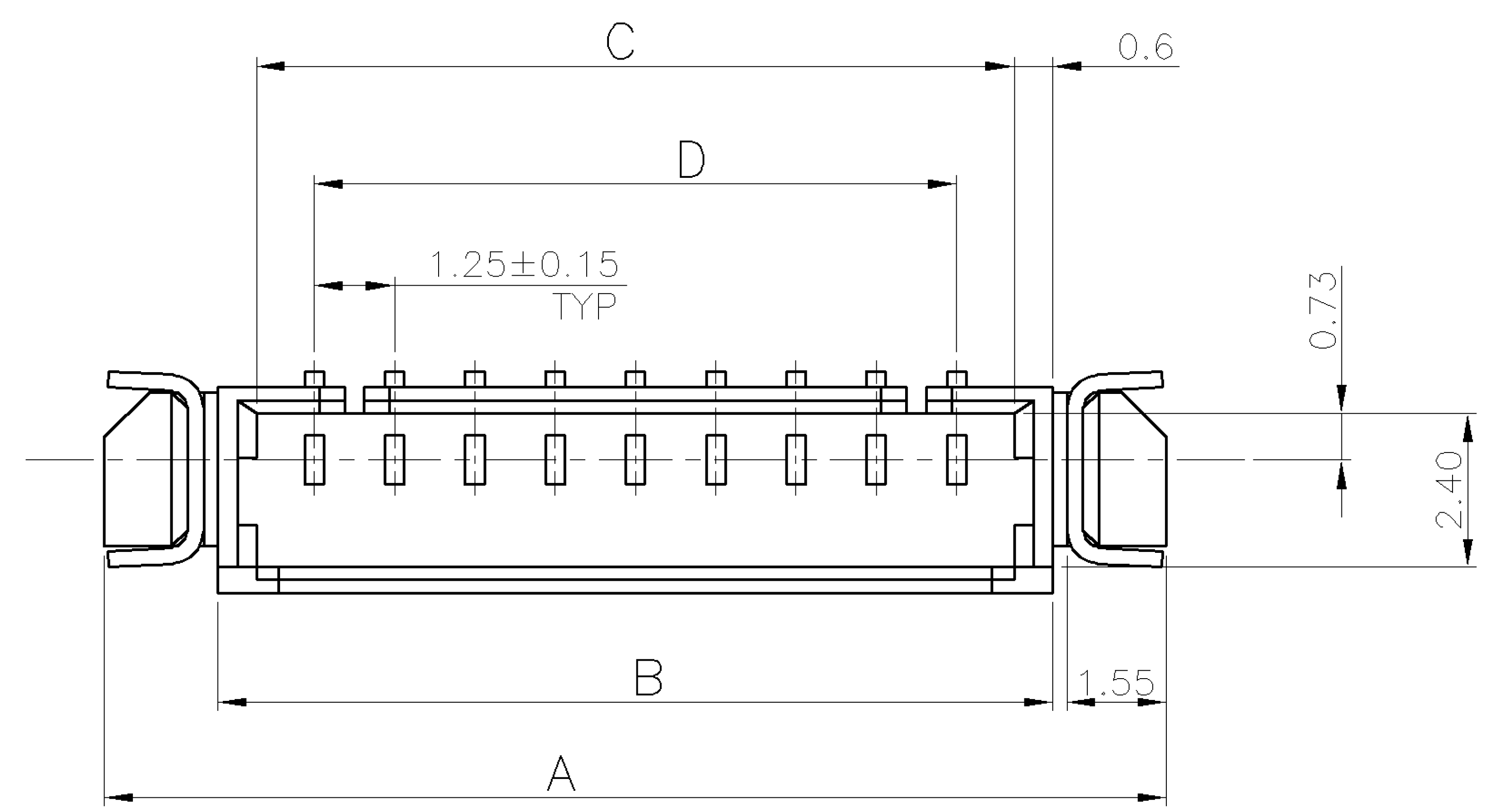
NUMBER
C-1734261

3RD ANGLE PROJECTION

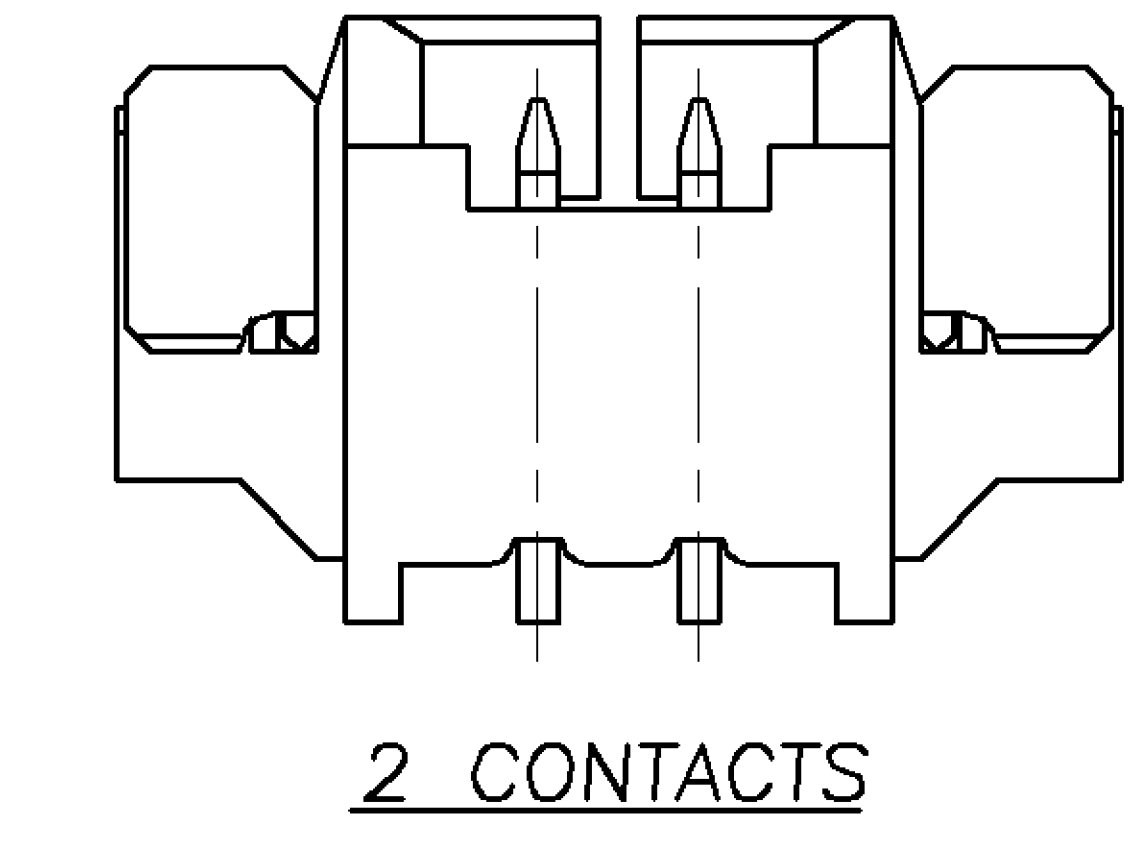
METRIC

DIMENSIONS IN MILLIMETERS. DO NOT SCALE PRINT.

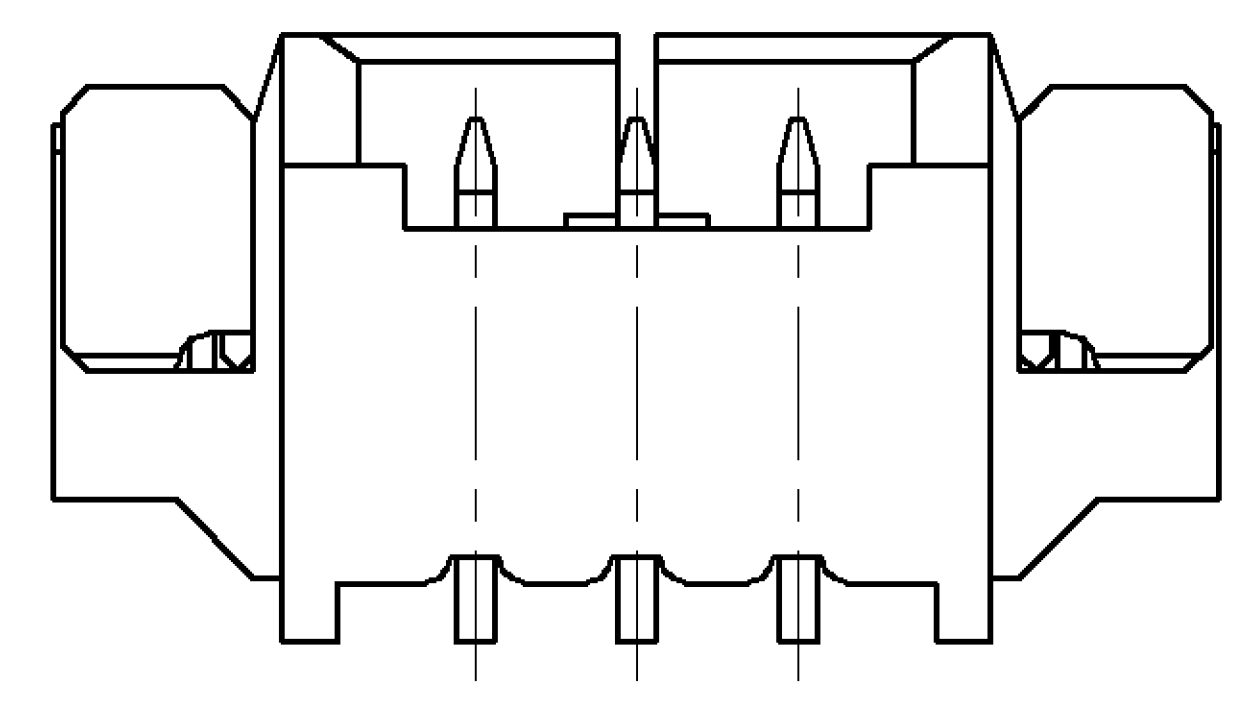
PRINT
DW



RECOMMENDED PC BOARD LAYOUT
(TOLERANCE: ±0.05)



2 CONTACTS



3 CONTACTS

NOTE:

- MATERIAL:
HOUSING: HIGH TEMP. THERMOPLASTIC, UL 94V-0, COLOR: NATURAL.
CONTACTS: PHOSPHOR BRONZE.
TAB: PHOSPHOR BRONZE.
- FINISH:
CONTACTS: (SEE TABLE) OVER 50μ" MIN. NICKEL PLATED.
TAB: 100μ" MIN. MATTE-TIN OVER 50μ" MIN. NICKEL PLATED.
- NO TYCO LOGO AND DATE CODE ON THE PRODUCT.
- LOCKING WINDOW:
ONE PLACE FOR 2 AND 3 CONTACTS,
TWO PLACES FOR MORE THAN 3 CONTACTS.
- RECOMMENDED PART NUMBER OF CABLE ASSEMBLY:
HOUSING: X-440146-X
CONTACT: 440147-X

0.762μm [30μ"] MIN. GOLD	17.50	19.30	20.50	24.04	15	4-1734261-5
	16.25	18.05	19.25	22.79	14	4-1734261-4
	15.00	16.80	18.00	21.54	13	4-1734261-3
	13.75	15.55	16.75	20.29	12	4-1734261-2
	12.50	14.30	15.50	19.04	11	4-1734261-1
	11.25	13.05	14.25	17.79	10	4-1734261-0
	10.00	11.80	13.00	16.54	9	3-1734261-9
	8.75	10.55	11.75	15.29	8	3-1734261-8
	7.50	9.30	10.50	14.04	7	3-1734261-7
	6.25	8.05	9.25	12.79	6	3-1734261-6
	5.00	6.80	8.00	11.54	5	3-1734261-5
	3.75	5.55	6.75	10.29	4	3-1734261-4
	2.50	4.30	5.50	9.04	3	3-1734261-3
	1.25	3.05	4.25	7.79	2	3-1734261-2
	2.54μm [100μ"] MIN. MATTE-TIN	17.50	19.30	20.50	24.04	15
16.25		18.05	19.25	22.79	14	1-1734261-4
15.00		16.80	18.00	21.54	13	1-1734261-3
13.75		15.55	16.75	20.29	12	1-1734261-2
12.50		14.30	15.50	19.04	11	1-1734261-1
11.25		13.05	14.25	17.79	10	1-1734261-0
10.00		11.80	13.00	16.54	9	1734261-9
8.75		10.55	11.75	15.29	8	1734261-8
7.50		9.30	10.50	14.04	7	1734261-7
6.25		8.05	9.25	12.79	6	1734261-6
5.00		6.80	8.00	11.54	5	1734261-5
3.75		5.55	6.75	10.29	4	1734261-4
2.50		4.30	5.50	9.04	3	1734261-3
1.25		3.05	4.25	7.79	2	1734261-2

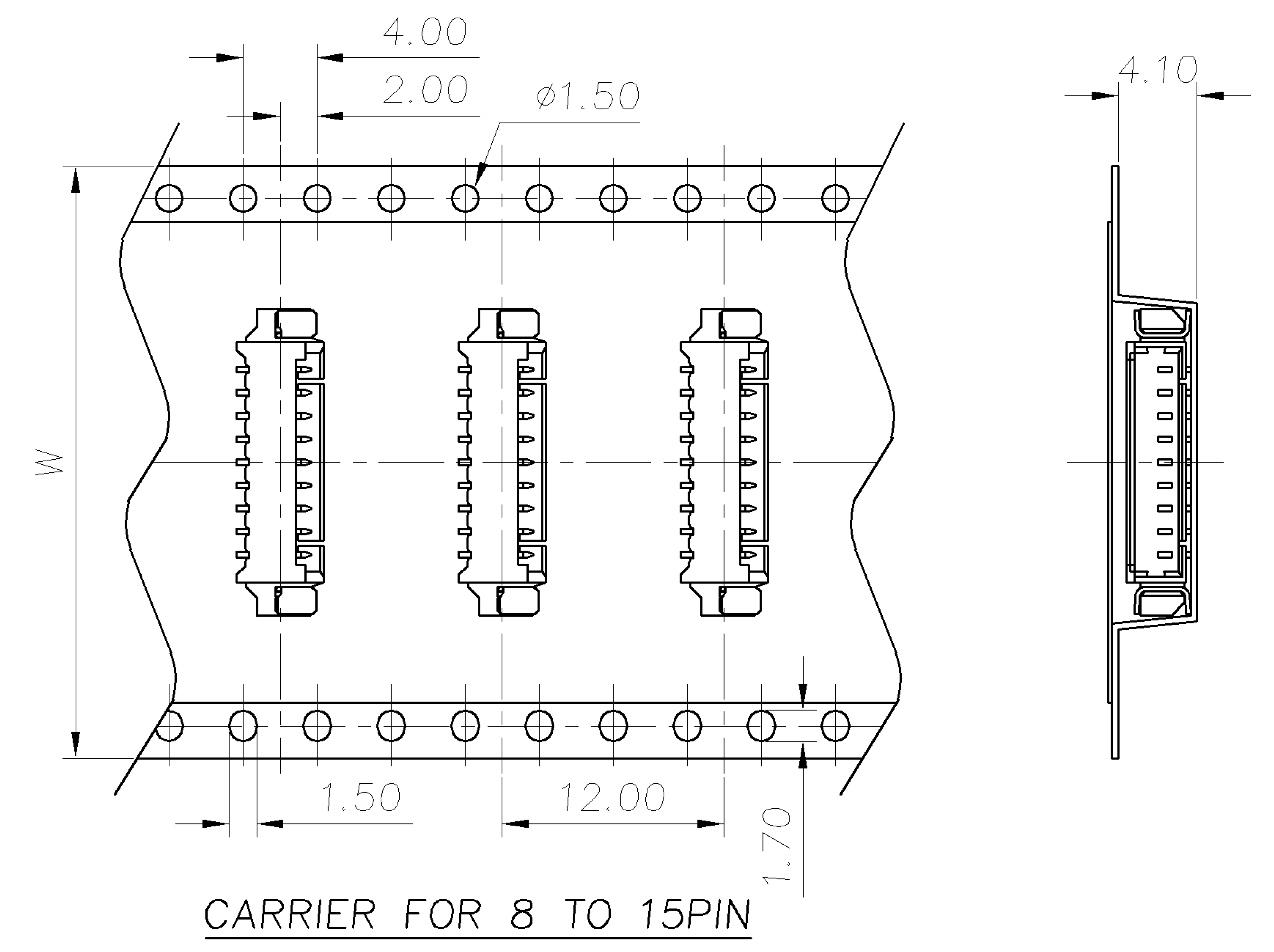
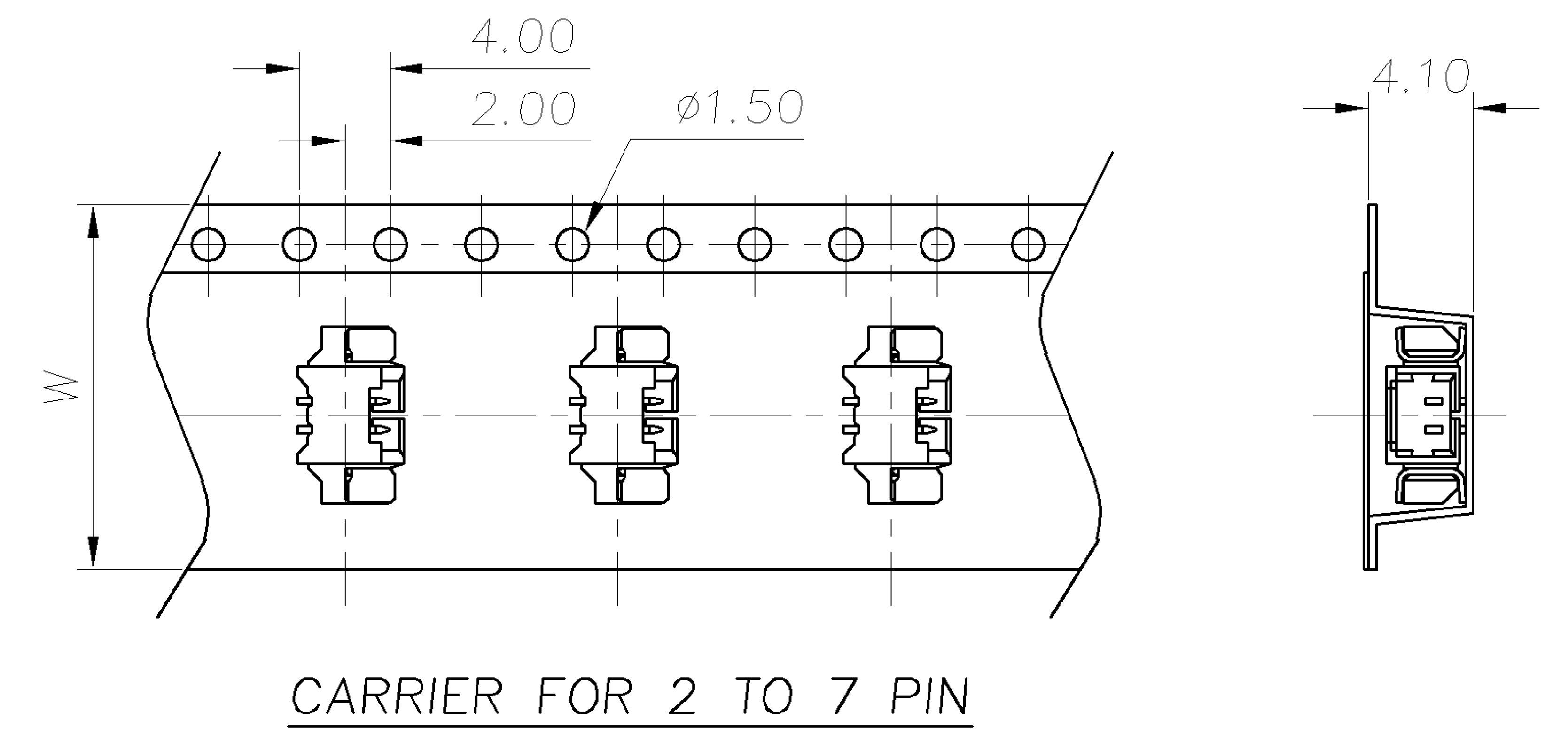
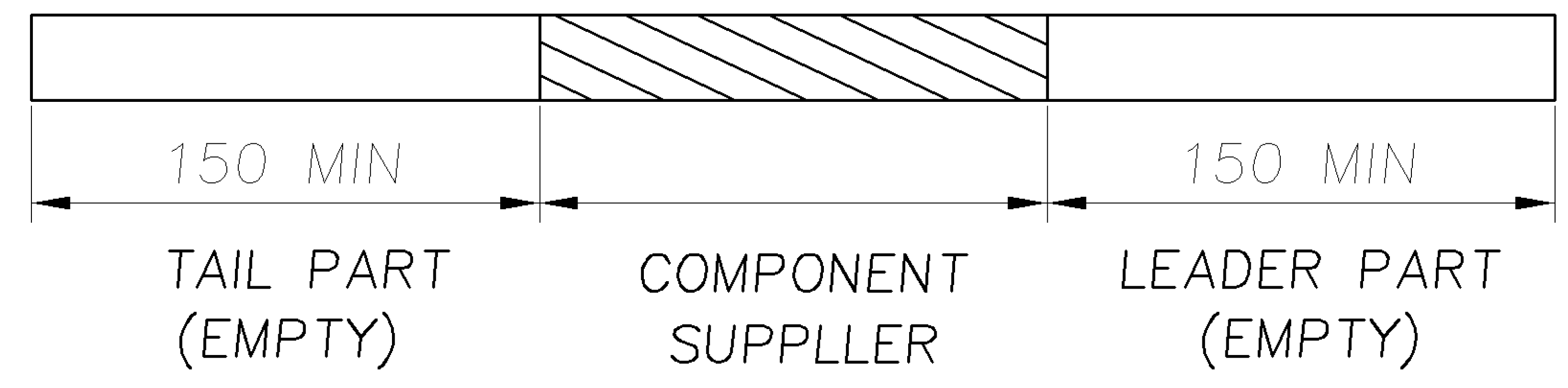
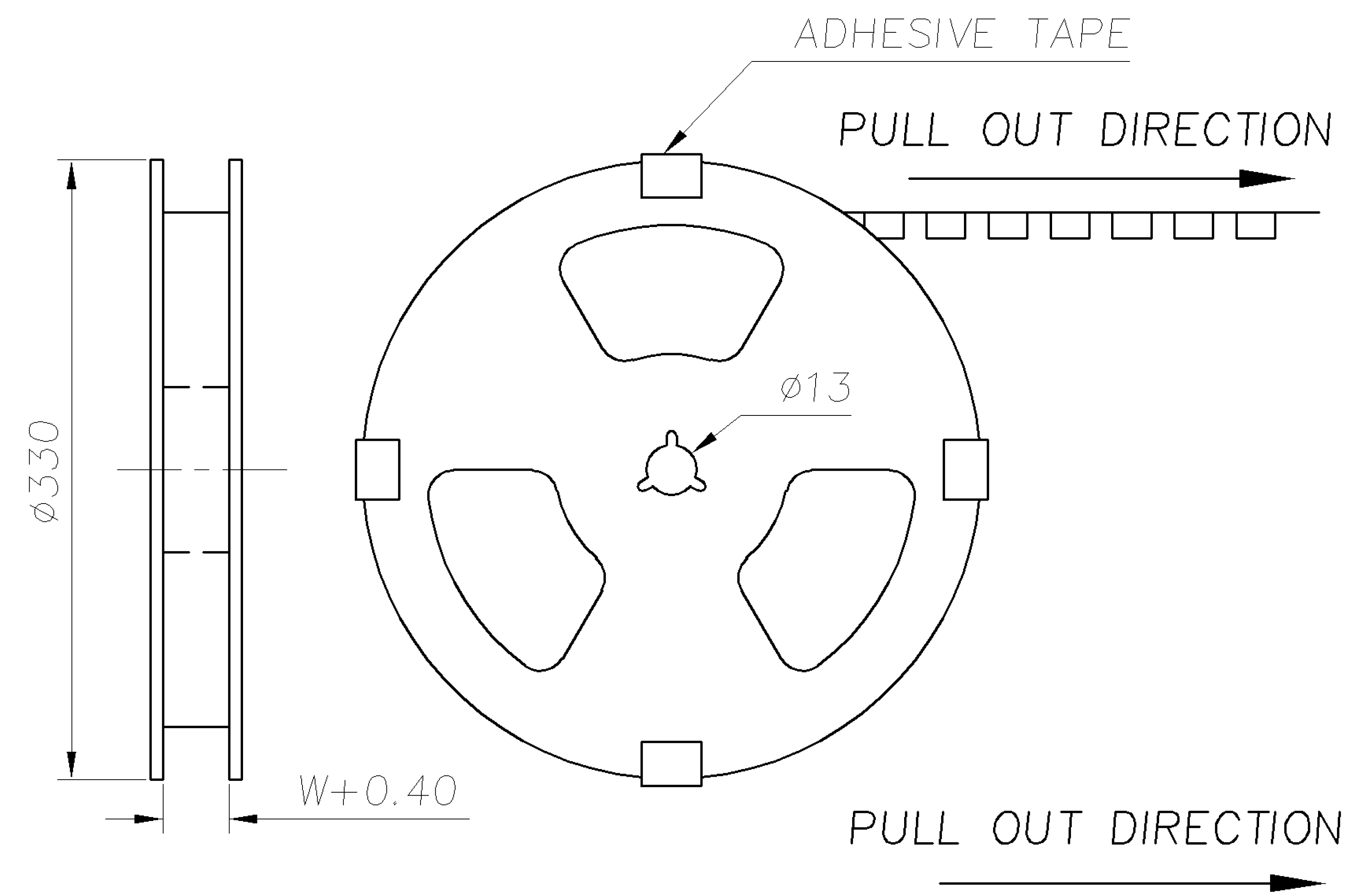
CONTACT PLATING	D	C	B	A	NO. OF CONTACTS	PART NUMBER
	DIMENSION					

TOLERANCES UNLESS OTHERWISE SPECIFIED: 0 PLC ±- 1 PLC ±0.38 2 PLC ±0.25 3 PLC ±- ANGLES ±3'	DWN A. WU 02-DEC-2005
MATERIAL SEE NOTE	CHK S. HOU 02-DEC-2005
FINISH SEE NOTE	APVD W.J. KE 02-DEC-2005
	PRODUCT SPEC 108-57273
	QUALIFICATION TEST REPORT 501-57299
	WEIGHT -

STE TE Connectivity			
NAME WIRE TO BOARD MALE HEADER, 1.25 MM PITCH, SMT, RIGHT ANGLE TYPE			
LOC DW	SIZE A ₃	DRAWING NO C-1734261	REV A ₁
SCALE --		SHEET 1 OF 2	

A1	REVISED PER ECO-11-005301	RK HMR 02APR11	
LTR	REVISION RECORD	ECO	DWN CHK DATE

NUMBER C-1734261
 METRIC
 3RD ANGLE PROJECTION



NOTE:
 1. CARTON DIMENSIONS: 340 X 340 X 250

4000	1000	4	44.0	15
				14
				13
6000	1000	6	32.0	12
				11
				10
				9
				8
7000	1000	7	24.0	7
				6
				5
				4
10000	1000	10	16.0	3
				2
QUANTITY	PCS/REEL	REELS/CARTON	DIM. W	NO. OF CONTACTS

TOLERANCES UNLESS OTHERWISE SPECIFIED: 0 PLC ± 1 PLC ± 2 PLC ± 3 PLC ± ANGLES ±	DWN	A. WU	TE Connectivity NAME WIRE TO BOARD MALE HEADER, 1.25 MM PITCH, SMT, RIGHT ANGLE TYPE
		02-DEC-2005	
MATERIAL -	CHK	S. HOU	LOC SIZE DRAWING NO REV DW A ₃ C-1734261 A1
		02-DEC-2005	
FINISH -	APVD	W.J. KE	SCALE SHEET -- 2 OF 2
		02-DEC-2005	
	PRODUCT SPEC	-	
	APPLICATION SPEC	-	
	WEIGHT	-	

LTR	REVISION RECORD	SEE SHEET 1.	DWN	CHK	DATE
		ECO			

Mouser Electronics

Authorized Distributor

Click to View Pricing, Inventory, Delivery & Lifecycle Information:

[TE Connectivity:](#)

[4-1734261-0](#)