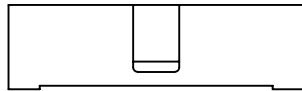
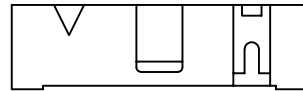




PRODUCT NUMBER  
SEE TABLE



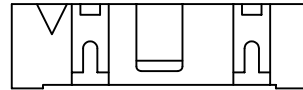
2 X 5  
STYLE A



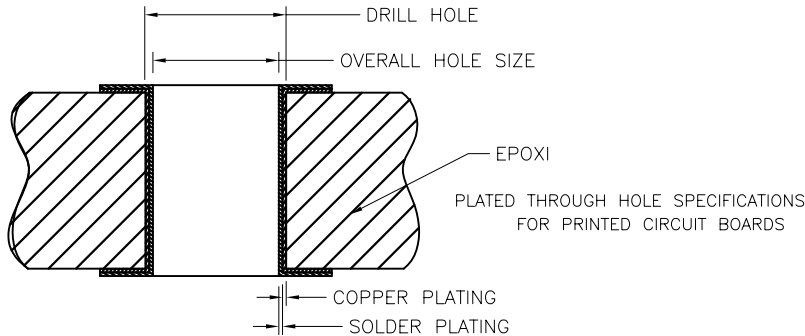
2 X 7  
STYLE C



2 X 5  
STYLE B



2 X 8 & LARGER  
STYLE D



NOTES:

- ① MOLDING MATERIAL: 30% GLASS FILLED POLYESTER FLAME RETARDENT PER UL94V-O. COLOR-BLUE.
- ② TERMINAL MATERIAL: PHOSPHOR BRONZE.
- ③ REFER TO TA 556 FOR APPLICATION, TOOLING AND INSTRUCTIONS.
4. UNLESS OTHERWISE SPECIFIED, 1° MAX DRAFT PERMISSIBLE ON ALL SURFACES.
5. LOGO LOCATION OPTIONAL.
- ⑥ TWO NON-CRITICAL SIDES OF PIN TIP NOT PLATED TYP BOTH ENDS.
7. 3 LBS / .36 KG PIN RETENTION IN BOTH DIRECTIONS.
8. RECOMMENDED PLATED-THRU-HOLE DIMENSIONS ARE:  
DRILLED HOLE: .0453/1.151±.0010/.025 DIA  
COPPER PLATING THICKNESS: .001/.025 TO .003/.076  
SOLDER PLATING THICKNESS: .0003/.076 TO .0007/.0178  
OVERALL HOLE SIZE: .040/1.016±.003/.076 DIA
- ⑨ ON HEADERS 2 X 20 AND LARGER THE .260/6.6 DIM HAS A MINIMUM SIZE OF .240/6.1.
- ⑩ PIN PLATING-DUPLEX- 30u"/.076u Au OVER 50u"/1.27uNi ON CONTACT AREA OF PIN AND 40-80u"/1.02-2.03u Sn. ON PRESS FIT AREA OF PIN.
- ⑪ PART NUMBER WITH "LF" SUFFIX AT THE END ARE LEAD FREE.
12. THIS PRODUCT MEETS EUROPEAN UNION DIRECTIVES AND OTHER COUNTRY REGULATION AS DESCRIBED IN GS-22-008.
- ⑬ PLATING OPTIONS:  
MAY BE EITHER GOLD OR GXT PLATED AT MANUFACTURER'S OPTION.
14. THE PRODUCT IS NOT INTENDED TO BE EXPOSED TO A MANUFACTURING SOLDER PROCESS.

SURFACE FINISH

| Ag                                 | Au                               | HOLE PLATING                | SnPb                           | Sn                               | Copper                     |
|------------------------------------|----------------------------------|-----------------------------|--------------------------------|----------------------------------|----------------------------|
| .037-.043<br>[0.94-1.09]           | .037-.043<br>[0.94-1.09]         | HOLE DIAMETER AFTER PLATING | .037-.043<br>[0.94-1.09]       | .037-.043<br>[0.94-1.09]         | .037-.043<br>[0.94-1.09]   |
| .0443-.0463<br>[1.12-1.17]         | .0443-.0463<br>[1.12-1.17]       | DRILLED HOLE                | .0443-.0463<br>[1.12-1.17]     | .0443-.0463<br>[1.12-1.17]       | .0443-.0463<br>[1.12-1.17] |
| .001-.003<br>[0.025-0.076]         | .001-.003<br>[0.025-0.076]       | COPPER PLATING              | .001-.003<br>[0.025-0.076]     | .001-.003<br>[0.025-0.076]       | .001-.003<br>[0.025-0.076] |
| -                                  | -                                | TIN LEAD PLATING            | .0003-.0005<br>[0.0076-0.0127] | -                                | -                          |
| -                                  | .0002-.0003<br>[0.0051-0.0076]   | NICKEL PLATING              | -                              | -                                | -                          |
| -                                  | .000004-.000008<br>[.0001-.0002] | GOLD PLATING                | -                              | -                                | -                          |
| -                                  | -                                | IMMERSION Sn                | -                              | .000039-.000051<br>[.0009-.0013] | -                          |
| .000016-.000024<br>[0.0004-0.0006] | -                                | IMMERSION Ag                | -                              | -                                | -                          |

|             |                |                     |      |                                       |              |                                      |  |   |  |
|-------------|----------------|---------------------|------|---------------------------------------|--------------|--------------------------------------|--|---|--|
| mat'l. code |                | surface<br>ISO 1302 |      | tolerance<br>ISO 406<br>ISO 1101      |              | projection                           |  | product family                              |  |
| -           |                | -                   |      | -                                     |              | -                                    |  | QUICKIE                                     |  |
| ltr         | ecr no         | dr                  | date | tolerances unless otherwise specified |              |                                      |  |   |  |
| F           |                |                     |      | angles                                | linear       | .XX±.01/XX±0.3<br>.XXX±.005/XXX±0.13 |  | title                                       |  |
|             |                |                     |      | σ±2"                                  |              | .XXXX±.0020/XXX±0.051                |  | EON PRESS FIT HDR. ASSY<br>SLIM LINE 4 WALL |  |
|             |                |                     |      |                                       |              | scale 4:1                            |  | sheet 2 of 5 size                           |  |
|             |                |                     |      | dr                                    | M. HERNANDEZ | 9/28/06                              |  | 10073456 A3                                 |  |
|             |                |                     |      | engr                                  | M.BARRIOS    | 9/28/06                              |  | type Product Customer Drawing               |  |
|             |                |                     |      | chr                                   | M.BARRIOS    | 9/28/06                              |  |   |  |
|             |                |                     |      | appd                                  | M.BARRIOS    | 9/28/06                              |  |   |  |
| sheet index | revision sheet |                     |      |                                       |              |                                      |  |   |  |

| PRODUCT NUMBER | NO OF POS | DIM R      | DIM S      | DIM T      | DIM E      | TERMINAL PLATING<br>NOTE 13      | STYLE |            |
|----------------|-----------|------------|------------|------------|------------|----------------------------------|-------|------------|
| 10073456-001LF | 2 X 5     | .78/19.81  | .72/18.28  | .400/10.16 | .160/4.06  | 30u"/.76u Au OVER 50u"/1.27 Ni   | A     |            |
| -002LF         |           |            |            |            | .160/4.06  | 30u"/.76u GXT OVER 50u"/1.27u Ni |       |            |
| -003LF         |           |            |            |            | .610/15.49 | 30u"/.76u Au OVER 50u"/1.27 Ni   |       | NOT TOOLED |
| -004LF         |           |            |            |            | .610/15.49 | 30u"/.76u GXT OVER 50u"/1.27u Ni |       | NOT TOOLED |
| -005LF         |           |            |            |            | .733/18.62 | 30u"/.76u Au OVER 50u"/1.27 Ni   |       | NOT TOOLED |
| -006LF         | 2 X 5     | .78/19.81  | .72/18.28  | .400/10.16 | .733/18.62 | 30u"/.76u GXT OVER 50u"/1.27u Ni | A     | NOT TOOLED |
| -007LF         | 2 X 7     | .98/24.89  | .92/23.37  | .600/15.24 | .160/4.06  | 30u"/.76u Au OVER 50u"/1.27 Ni   | C     |            |
| -008LF         |           |            |            |            | .160/4.06  | 30u"/.76u GXT OVER 50u"/1.27u Ni |       |            |
| -009LF         |           |            |            |            | .610/15.49 | 30u"/.76u Au OVER 50u"/1.27 Ni   |       | NOT TOOLED |
| -010LF         |           |            |            |            | .610/15.49 | 30u"/.76u GXT OVER 50u"/1.27u Ni |       | NOT TOOLED |
| -011LF         |           |            |            |            | .733/18.62 | 30u"/.76u Au OVER 50u"/1.27 Ni   |       | NOT TOOLED |
| -012LF         | 2 X 7     | .98/24.89  | .92/23.37  | .600/15.24 | .733/18.62 | 30u"/.76u GXT OVER 50u"/1.27u Ni | C     | NOT TOOLED |
| -013LF         | 2 X 8     | 1.08/27.43 | 1.02/25.91 | .700/17.78 | .160/4.06  | 30u"/.76u Au OVER 50u"/1.27 Ni   | D     |            |
| -014LF         |           |            |            |            | .160/4.06  | 30u"/.76u GXT OVER 50u"/1.27u Ni |       |            |
| -015LF         |           |            |            |            | .610/15.49 | 30u"/.76u Au OVER 50u"/1.27 Ni   |       | NOT TOOLED |
| -016LF         |           |            |            |            | .610/15.49 | 30u"/.76u GXT OVER 50u"/1.27u Ni |       | NOT TOOLED |
| -017LF         |           |            |            |            | .733/18.62 | 30u"/.76u Au OVER 50u"/1.27 Ni   |       | NOT TOOLED |
| -018LF         | 2 X 8     | 1.08/27.43 | 1.02/25.91 | .700/17.78 | .733/18.62 | 30u"/.76u GXT OVER 50u"/1.27u Ni | D     | NOT TOOLED |
| -019LF         | 2 X 10    | 1.28/32.51 | 1.22/30.99 | .900/22.86 | .160/4.06  | 30u"/.76u Au OVER 50u"/1.27 Ni   | D     |            |
| -020LF         |           |            |            |            | .160/4.06  | 30u"/.76u GXT OVER 50u"/1.27u Ni |       |            |
| -021LF         |           |            |            |            | .610/15.49 | 30u"/.76u Au OVER 50u"/1.27 Ni   |       | NOT TOOLED |
| -022LF         |           |            |            |            | .610/15.49 | 30u"/.76u GXT OVER 50u"/1.27u Ni |       | NOT TOOLED |
| -023LF         |           |            |            |            | .733/18.62 | 30u"/.76u Au OVER 50u"/1.27 Ni   |       | NOT TOOLED |
| 10073456-024LF | 2 X 10    | 1.28/32.51 | 1.22/30.99 | .900/22.86 | .733/18.62 | 30u"/.76u GXT OVER 50u"/1.27u Ni | D     | NOT TOOLED |



Copyright FCI

|             |                |          |              |                                       |        |                                      |  |                |  |
|-------------|----------------|----------|--------------|---------------------------------------|--------|--------------------------------------|--|----------------|--|
| mat'l. code |                | surface  |              | tolerance                             |        | projection                           |  | product family |  |
| -           |                | ISO 1302 |              | ISO 406<br>ISO 1101                   |        |                                      |  | QUICKIE        |  |
| ltr         | ecn no         | dr       | date         | tolerances unless otherwise specified |        |                                      |  |                |  |
| F           |                |          |              | angles                                | linear | .XX±.01/XX±0.3<br>.XXX±.005/XXX±0.13 |  | INCH/MM        |  |
|             |                |          |              | σ±2"                                  |        | .XXX±.0020/XXX±0.051                 |  | scale 4:1      |  |
|             |                | dr       | M. HERNANDEZ | 9/28/06                               |        |                                      |  |                |  |
|             |                | engr     | M.BARRIOS    | 9/28/06                               |        |                                      |  |                |  |
|             |                | chr      | M.BARRIOS    | 9/28/06                               |        |                                      |  |                |  |
|             |                | appd     | M.BARRIOS    | 9/28/06                               |        |                                      |  |                |  |
| sheet index | revision sheet |          |              |                                       |        |                                      |  |                |  |

FCI  
10073456  
sheet 3 of 5 size A3  
type Product Customer Drawing

| PRODUCT NUMBER | NO OF POS | DIM R      | DIM S      | DIM T       | DIM E      | TERMINAL PLATING NOTE 13         | STYLE |            |
|----------------|-----------|------------|------------|-------------|------------|----------------------------------|-------|------------|
| 10073456-025LF | 2 X 12    | 1.48/37.59 | 1.42/36.07 | 1.100/27.94 | .160/4.06  | 30u"/.76u Au OVER 50u"/1.27 Ni   | D     |            |
| -026LF         |           |            |            |             | .160/4.06  | 30u"/.76u GXT OVER 50u"/1.27u Ni |       |            |
| -027LF         |           |            |            |             | .610/15.49 | 30u"/.76u Au OVER 50u"/1.27 Ni   |       | NOT TOOLED |
| -028LF         |           |            |            |             | .610/15.49 | 30u"/.76u GXT OVER 50u"/1.27u Ni |       | NOT TOOLED |
| -029LF         |           |            |            |             | .733/18.62 | 30u"/.76u Au OVER 50u"/1.27 Ni   |       | NOT TOOLED |
| -030LF         | 2 X 12    | 1.48/37.59 | 1.42/36.07 | 1.100/27.94 | .733/18.62 | 30u"/.76u GXT OVER 50u"/1.27u Ni | D     | NOT TOOLED |
| -031LF         | 2 X 13    | 1.58/40.13 | 1.52/38.61 | 1.200/30.48 | .160/4.06  | 30u"/.76u Au OVER 50u"/1.27 Ni   | D     |            |
| -032LF         |           |            |            |             | .160/4.06  | 30u"/.76u GXT OVER 50u"/1.27u Ni |       |            |
| -033LF         |           |            |            |             | .610/15.49 | 30u"/.76u Au OVER 50u"/1.27 Ni   |       | NOT TOOLED |
| -034LF         |           |            |            |             | .610/15.49 | 30u"/.76u GXT OVER 50u"/1.27u Ni |       | NOT TOOLED |
| -035LF         |           |            |            |             | .733/18.62 | 30u"/.76u Au OVER 50u"/1.27 Ni   |       | NOT TOOLED |
| -036LF         | 2 X 13    | 1.58/40.13 | 1.52/38.61 | 1.200/30.48 | .733/18.62 | 30u"/.76u GXT OVER 50u"/1.27u Ni | D     | NOT TOOLED |
| -037LF         | 2 X 15    | 1.78/45.21 | 1.72/43.69 | 1.400/35.56 | .160/4.06  | 30u"/.76u Au OVER 50u"/1.27 Ni   | D     |            |
| -038LF         |           |            |            |             | .160/4.06  | 30u"/.76u GXT OVER 50u"/1.27u Ni |       |            |
| -039LF         |           |            |            |             | .610/15.49 | 30u"/.76u Au OVER 50u"/1.27 Ni   |       | NOT TOOLED |
| -040LF         |           |            |            |             | .610/15.49 | 30u"/.76u GXT OVER 50u"/1.27u Ni |       | NOT TOOLED |
| -041LF         |           |            |            |             | .733/18.62 | 30u"/.76u Au OVER 50u"/1.27 Ni   |       | NOT TOOLED |
| -042LF         | 2 X 15    | 1.78/45.21 | 1.72/43.69 | 1.400/35.56 | .733/18.62 | 30u"/.76u GXT OVER 50u"/1.27u Ni | D     | NOT TOOLED |
| -043LF         | 2 X 17    | 1.98/50.29 | 1.92/48.77 | 1.600/40.64 | .160/4.06  | 30u"/.76u Au OVER 50u"/1.27 Ni   | D     |            |
| -044LF         |           |            |            |             | .160/4.06  | 30u"/.76u GXT OVER 50u"/1.27u Ni |       |            |
| -045LF         |           |            |            |             | .610/15.49 | 30u"/.76u Au OVER 50u"/1.27 Ni   |       | NOT TOOLED |
| -046LF         |           |            |            |             | .610/15.49 | 30u"/.76u GXT OVER 50u"/1.27u Ni |       | NOT TOOLED |
| -047LF         |           |            |            |             | .733/18.62 | 30u"/.76u Au OVER 50u"/1.27 Ni   |       | NOT TOOLED |
| 10073456-048LF | 2 X 17    | 1.98/50.29 | 1.92/48.77 | 1.600/40.64 | .733/18.62 | 30u"/.76u GXT OVER 50u"/1.27u Ni | D     | NOT TOOLED |



Copyright FCI

|             |  |                |  |           |  |            |  |                          |  |
|-------------|--|----------------|--|-----------|--|------------|--|--------------------------|--|
| mat'l. code |  | surface        |  | tolerance |  | projection |  | product family           |  |
| -           |  | ISO 1302       |  | ISO 406   |  | INCH/MM    |  | QUICKIE                  |  |
| ltr         |  | ecn no         |  | dr        |  | date       |  | title                    |  |
| F           |  |                |  |           |  |            |  | EON PRESS FIT HDR. ASSY  |  |
|             |  |                |  |           |  |            |  | SLIM LINE 4 WALL         |  |
|             |  |                |  |           |  |            |  | dwg no                   |  |
|             |  |                |  |           |  |            |  | 10073456                 |  |
|             |  |                |  |           |  |            |  | sheet 4 of 5 size        |  |
|             |  |                |  |           |  |            |  | A3                       |  |
|             |  |                |  |           |  |            |  | type                     |  |
|             |  |                |  |           |  |            |  | Product Customer Drawing |  |
| sheet index |  | revision sheet |  |           |  |            |  |                          |  |

| PRODUCT NUMBER | NO OF POS | DIM R      | DIM S      | DIM T       | DIM E      | TERMINAL PLATING<br>NOTE 13      | STYLE      |
|----------------|-----------|------------|------------|-------------|------------|----------------------------------|------------|
| 10073456-049LF | 2 X 20    | 2.28/57.91 | 2.22/56.39 | 1.900/48.26 | .160/4.06  | 30u"/.76u Au OVER 50u"/1.27 Ni   | D          |
| -050LF         |           |            |            |             | .160/4.06  | 30u"/.76u GXT OVER 50u"/1.27u Ni |            |
| -051LF         |           |            |            |             | .610/15.49 | 30u"/.76u Au OVER 50u"/1.27 Ni   | NOT TOOLED |
| -052LF         |           |            |            |             | .610/15.49 | 30u"/.76u GXT OVER 50u"/1.27u Ni | NOT TOOLED |
| -053LF         |           |            |            |             | .733/18.62 | 30u"/.76u Au OVER 50u"/1.27 Ni   | NOT TOOLED |
| -054LF         | 2 X 20    | 2.28/57.91 | 2.22/56.39 | 1.900/48.26 | .733/18.62 | 30u"/.76u GXT OVER 50u"/1.27u Ni | D          |
| -055LF         | 2 X 22    | 2.48/62.99 | 2.42/61.47 | 2.100/53.34 | .160/4.06  | 30u"/.76u Au OVER 50u"/1.27 Ni   | D          |
| -056LF         |           |            |            |             | .160/4.06  | 30u"/.76u GXT OVER 50u"/1.27u Ni |            |
| -057LF         |           |            |            |             | .610/15.49 | 30u"/.76u Au OVER 50u"/1.27 Ni   | NOT TOOLED |
| -058LF         |           |            |            |             | .610/15.49 | 30u"/.76u GXT OVER 50u"/1.27u Ni | NOT TOOLED |
| -059LF         |           |            |            |             | .733/18.62 | 30u"/.76u Au OVER 50u"/1.27 Ni   | NOT TOOLED |
| -060LF         | 2 X 22    | 2.48/62.99 | 2.42/61.47 | 2.100/53.34 | .733/18.62 | 30u"/.76u GXT OVER 50u"/1.27u Ni | D          |
| -061LF         | 2 X 25    | 2.78/70.61 | 2.72/69.09 | 2.400/60.96 | .160/4.06  | 30u"/.76u Au OVER 50u"/1.27 Ni   | D          |
| -062LF         |           |            |            |             | .160/4.06  | 30u"/.76u GXT OVER 50u"/1.27u Ni |            |
| -063LF         |           |            |            |             | .610/15.49 | 30u"/.76u Au OVER 50u"/1.27 Ni   | NOT TOOLED |
| -064LF         |           |            |            |             | .610/15.49 | 30u"/.76u GXT OVER 50u"/1.27u Ni | NOT TOOLED |
| -065LF         |           |            |            |             | .733/18.62 | 30u"/.76u Au OVER 50u"/1.27 Ni   | NOT TOOLED |
| -066LF         | 2 X 25    | 2.78/70.61 | 2.72/69.09 | 2.400/60.96 | .733/18.62 | 30u"/.76u GXT OVER 50u"/1.27u Ni | D          |
| -067LF         | 2 X 30    | 3.28/83.31 | 3.22/81.79 | 2.900/73.66 | .160/4.06  | 30u"/.76u Au OVER 50u"/1.27 Ni   | D          |
| -068LF         |           |            |            |             | .160/4.06  | 30u"/.76u GXT OVER 50u"/1.27u Ni |            |
| -069LF         |           |            |            |             | .610/15.49 | 30u"/.76u Au OVER 50u"/1.27 Ni   | NOT TOOLED |
| -070LF         |           |            |            |             | .610/15.49 | 30u"/.76u GXT OVER 50u"/1.27u Ni | NOT TOOLED |
| -071LF         |           |            |            |             | .733/18.62 | 30u"/.76u Au OVER 50u"/1.27 Ni   | NOT TOOLED |
| -072LF         | 2 X 30    | 3.28/83.31 | 3.22/81.79 | 2.900/73.66 | .733/18.62 | 30u"/.76u GXT OVER 50u"/1.27u Ni | D          |
| -073LF         | 2 X 17    | 1.98/50.29 | 1.92/48.77 | 1.600/40.64 | .160/4.06  | 50u"/1.27u Au OVER 50u"/1.27u Ni | D          |
| -074LF         | 2 X 5     | .78/19.81  | .72/18.29  | .400/10.16  | .110/2.79  | 30u"/.76u GXT OVER 50u"/1.27u Ni | A          |
| -075LF         | 2 X 10    | 1.28/32.51 | 1.22/30.99 | .900/22.86  | .110/2.79  | 30u"/.76u GXT OVER 50u"/1.27u Ni | D          |
| -076LF         | 2 X 12    | 1.48/37.59 | 1.42/36.07 | 1.100/27.94 | .110/2.79  | 30u"/.76u GXT OVER 50u"/1.27u Ni | D          |
| -201LF         | 2 X 5     | .78/19.81  | .72/18.29  | .400/10.16  | .160/4.06  | SEE NOTE 10                      | A          |
| 10073456-219LF | 2 X 10    | 1.28/32.51 | 1.22/30.99 | .900/22.86  | .160/4.06  | SEE NOTE 10                      | D          |



Copyright FCI

|             |                |                     |      |                                       |              |                |  |  |  |
|-------------|----------------|---------------------|------|---------------------------------------|--------------|----------------|--|--|--|
| mat'l. code |                | surface<br>ISO 1302 |      | tolerance<br>ISO 406<br>ISO 1101      |              | projection<br> |  | product family<br>QUICKIE                            |  |
| ltr         | ecn no         | dr                  | date | tolerances unless otherwise specified |              | INCH/MM        |  | title<br>EON PRESS FIT HDR. ASSY<br>SLIM LINE 4 WALL |  |
| F           |                |                     |      | angles                                | linear       | scale 4:1      |  | dwg no<br>10073456                                   |  |
|             |                |                     |      | σ±2"                                  |              |                |  | sheet 5 of 5 size<br>A3                              |  |
|             |                |                     |      | dr                                    | M. HERNANDEZ | 9/28/06        |  | type<br>Product Customer Drawing                     |  |
|             |                |                     |      | engr                                  | M.BARRIOS    | 9/28/06        |  |  |  |
|             |                |                     |      | chr                                   | M.BARRIOS    | 9/28/06        |  |  |  |
|             |                |                     |      | appd                                  | M.BARRIOS    | 9/28/06        |  |  |  |
| sheet index | revision sheet |                     |      |                                       |              |                |  |  |  |

form A3

# Mouser Electronics

Authorized Distributor

Click to View Pricing, Inventory, Delivery & Lifecycle Information:

## FCI / Amphenol:

[10073456-001LF](#) [10073456-019LF](#) [10073456-025LF](#) [10073456-049LF](#) [10073456-061LF](#) [10073456-010LF](#)  
[10073456-076LF](#) [10073456-029LF](#) [10073456-033LF](#) [10073456-031LF](#) [10073456-018LF](#) [10073456-007LF](#)  
[10073456-054LF](#) [10073456-027LF](#) [10073456-065LF](#) [10073456-042LF](#) [10073456-005LF](#) [10073456-012LF](#)  
[10073456-050LF](#) [10073456-063LF](#) [10073456-035LF](#) [10073456-068LF](#) [10073456-059LF](#) [10073456-067LF](#)  
[10073456-016LF](#) [10073456-044LF](#) [10073456-020LF](#) [10073456-070LF](#) [10073456-039LF](#) [10073456-024LF](#)  
[10073456-021LF](#) [10073456-048LF](#) [10073456-030LF](#) [10073456-034LF](#) [10073456-053LF](#) [10073456-015LF](#)  
[10073456-013LF](#) [10073456-017LF](#) [10073456-002LF](#) [10073456-058LF](#) [10073456-057LF](#) [10073456-066LF](#)  
[10073456-028LF](#) [10073456-004LF](#) [10073456-009LF](#) [10073456-011LF](#) [10073456-043LF](#) [10073456-047LF](#)  
[10073456-075LF](#) [10073456-006LF](#) [10073456-064LF](#) [10073456-023LF](#) [10073456-037LF](#) [10073456-069LF](#)  
[10073456-045LF](#) [10073456-072LF](#) [10073456-041LF](#) [10073456-056LF](#) [10073456-014LF](#) [10073456-055LF](#)  
[10073456-074LF](#) [10073456-073LF](#) [10073456-026LF](#) [10073456-022LF](#) [10073456-051LF](#) [10073456-060LF](#)  
[10073456-036LF](#) [10073456-003LF](#) [10073456-032LF](#) [10073456-071LF](#) [10073456-008LF](#) [10073456-038LF](#)  
[10073456-062LF](#)