

# Housing - HC-D 7-AML-26/GW - 1773022

Please be informed that the data shown in this PDF Document is generated from our Online Catalog. Please find the complete data in the user's documentation. Our General Terms of Use for Downloads are valid (<http://phoenixcontact.com/download>)



HEAVYCON D7 panel mounting base, with single locking latch, height: 25.5 mm, angled, zinc die-cast



## Key Commercial Data

Packing unit	10 pc
GTIN	
GTIN	4017918134426

## Technical data

### Dimensions

Height	25.5 mm
Width	40.5 mm
Length	24 mm
Length of the assembly cutout	21 mm
Width of the assembly cutout	21 mm

### Ambient conditions

Degree of protection of housing (IP)	IP54
	IP65 (with sealing screw)
Ambient temperature (operation)	-40 °C ... 125 °C

### General

Note	for contact inserts HC-A03, A04, D07, D08, Q02, Q03, Q04, Q05, Q07, Q12
Size	D7
Housing type	Panel mounting base
Locking type	with single locking latch
Screw connection	none
Housing material	Zinc die-cast

# Housing - HC-D 7-AML-26/GW - 1773022

## Technical data

### General

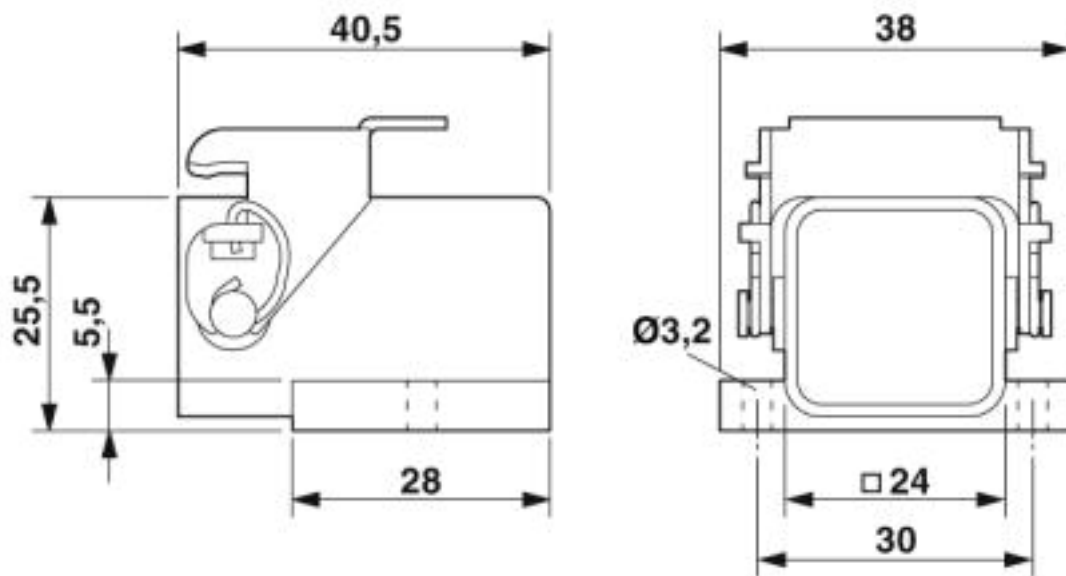
Housing surface material	Powder-coated, gray
Seal material	NBR
Material lock	Steel, galvanized and passivated

### Environmental Product Compliance

China RoHS	Environmentally friendly use period: unlimited = EFUP-e
	No hazardous substances above threshold values

## Drawings

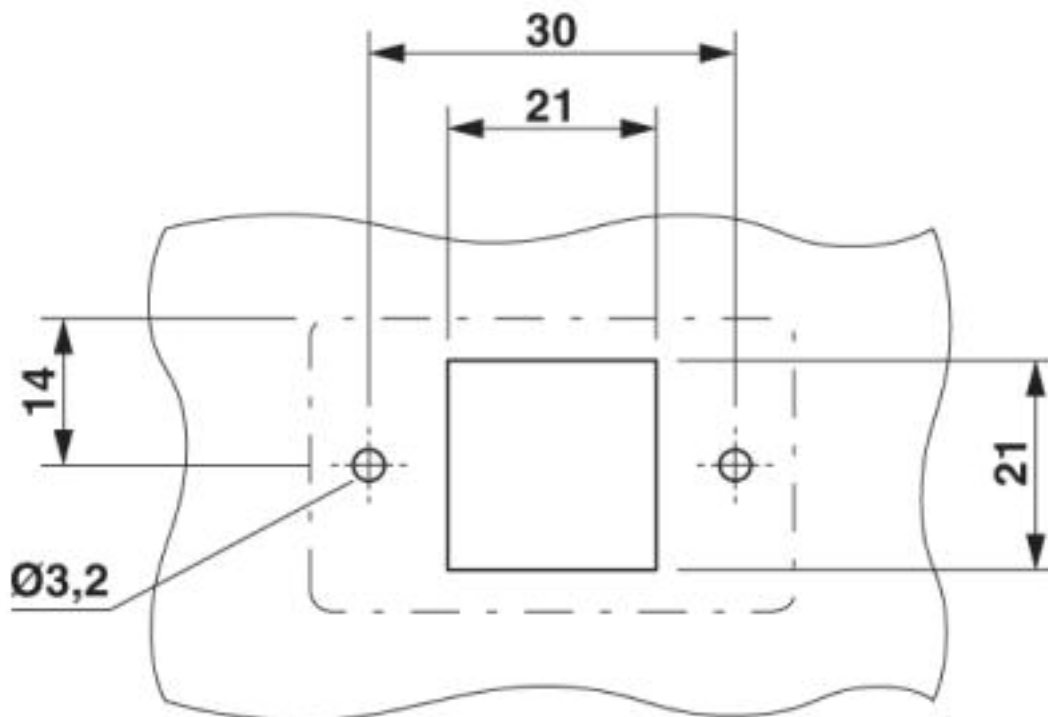
Dimensional drawing



Dimensional drawing

# Housing - HC-D 7-AML-26/GW - 1773022

Dimensional drawing



Mounting cutout

## Classifications

eCl@ss

eCl@ss 4.0	27140816
eCl@ss 4.1	27140816
eCl@ss 5.0	27143424
eCl@ss 5.1	27261200
eCl@ss 6.0	27261200
eCl@ss 7.0	27440202
eCl@ss 8.0	27440202
eCl@ss 9.0	27440202

ETIM

ETIM 2.0	EC000437
ETIM 3.0	EC000437
ETIM 4.0	EC000437
ETIM 5.0	EC000437
ETIM 6.0	EC000437

UNSPSC

UNSPSC 6.01	31261502
-------------	----------

# Housing - HC-D 7-AML-26/GW - 1773022

## Classifications

### UNSPSC

UNSPSC 7.0901	31261502
UNSPSC 11	31261502
UNSPSC 12.01	31261502
UNSPSC 13.2	31261501
UNSPSC 19.0	31261501

## Accessories

### Accessories

#### Mounting material

Sealing screw - HC-D 7-DS-IP65 - 1686229



Sealing screw, size: Countersunk head, IP67, replacement part for D7 size HEAVYCON housing

---

### Seal

Flat gasket - HC-D 7-FL-DI - 1645503



Replacement flange seal, for HEAVYCON panel mounting base type D7, self-adhesive, color: Black

---

Phoenix Contact 2020 © - all rights reserved  
<http://www.phoenixcontact.com>

PHOENIX CONTACT GmbH & Co. KG  
Flachsmarktstr. 8  
32825 Blomberg  
Germany  
Tel. +49 5235 300  
Fax +49 5235 3 41200  
<http://www.phoenixcontact.com>