

Switchcraft®

Sealed D-Sub



Panel Mount (DCPDB09MSC1)



Backshell (DCCDB09F)



Connector Cap (DBSCAP)

Sealed D-Sub (IP-67)

Features & Benefits:

- Waterproof D-Sub panel connectors and backshell kits meet IP67 rating.
- Rear mounting panel connectors fit into standard D-Sub holes.
- Connectors are available in solder cup, male and female versions.
- Gold plated contacts are standard.
- Backshell kits available for cable diameters 0.138 - 0.276 in (3.51- 7.01 mm).
- D-Sub solder cup contacts accepts wire ranges from 22-26 AWG.
- Panel mount connector comes with 2 mounting screws.
- RoHS compliant.

Applications:

- Remote or temporary data control centers
- Manufacturing control equipment
- Marine
- Instrumentation for field data collection
- Medical field data collection

D-Sub Panel Mount Series	D-Sub	Gender	Termination Style	Panel
DCP	DB09 = 9 Pin, Standard HD15 = 15 Pin, High Density	M = Male F = Female	SC = Solder Cup	1 = 0.048 - 0.078 in [1.22 - 1.98 mm]

D-Sub Backshell Kit Series	D-Sub	Gender
DCC	DB09 = 9 Pin, Standard HD15 = 15 Pin, High Density	M = Male F = Female

D-Sub Connector Cap Series	Size	Style
DB	S = DB09 or HD15	CAP

Switchcraft®
Harsh Environment
Connectivity Solutions



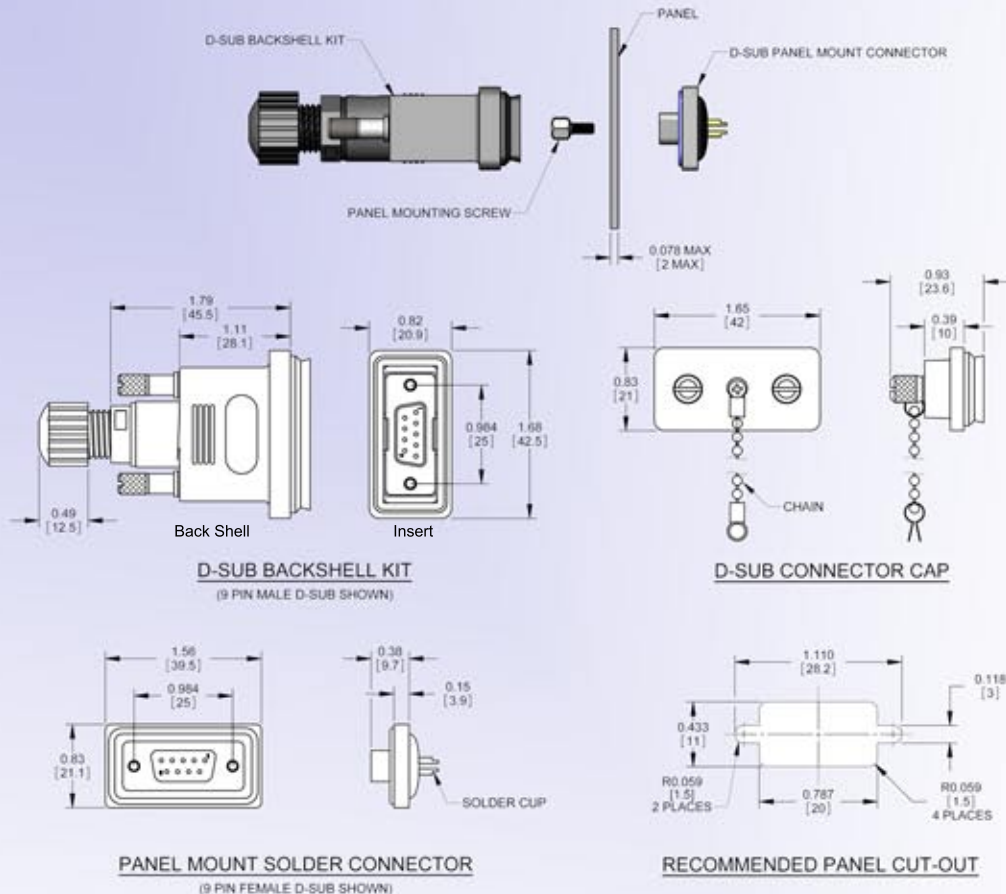
Switchcraft.com

5555 N. Elston Avenue, Chicago, IL 60630
Phone: 773-792-2700 - Fax: 773-792-2129

Please check our website www.switchcraft.com for the most up-to-date product specifications

Switchcraft®

Sealed D-Sub



Electrical Specifications

Current Rating:

Standard D-Sub (9 contact) – 5A

High Density D-Sub (15 contact) 2A

Dielectric Withstanding Voltage: 1000V AC for 1 minute

Contact Resistance: < 25mΩ

Insulation Resistance: > 500MΩ @ 500V DC

Mechanical Specifications

Life: ≥ 500 Cycles

Environmental Specifications

Operating Temperature: -55°C to 185°C

Thermal Shock: Meets MIL-STD 202G, Method 107G
Condition A

Ratings

IP Rating: IP67

Material Specifications

D-Sub Backshell Kit

Housing, Clamp, & Nut: Thermoplastic, Black

Insulator: Thermoplastic (UL9 IV-0)

Gasket & Seal: Silicone, Black

Shell: Steel, Tin Plated

Screw: Copper Alloy, Nickel Plated

Contact Pins: Copper Alloy, Gold Plated

D-Sub Panel Mount Connector

Flange & Insulator: Thermoplastic (UL94V-0)

Shell: Steel, Tin Plated

Epoxy: Epoxy, Black

O-Ring: Silicone, Light Blue

Screw: Copper Alloy, Nickel Plated

Contact Pin: Copper Alloy, Gold Plated

D-Sub Connector Cap

Body: Thermoplastic, Black

Gasket & O-ring: Silicone, Black

Screw: Copper Alloy, Nickel Plated

Chain: Stainless Steel

Switchcraft®
Harsh Environment
Connectivity Solutions



Switchcraft.com

5555 N. Elston Avenue, Chicago, IL 60630
Phone: 773-792-2700 - Fax: 773-792-2129

Please check our website www.switchcraft.com for the most up-to-date product specifications

Mouser Electronics

Authorized Distributor

Click to View Pricing, Inventory, Delivery & Lifecycle Information:

Switchcraft:

[DBSCAP](#) [DCCDB09F](#) [DCCDB09M](#) [DCCHD15F](#) [DCCHD15M](#) [DCPDB09FSC1](#) [DCPDB09MSC1](#) [DCPHD15FSC1](#)
[DCPHD15MSC1](#)