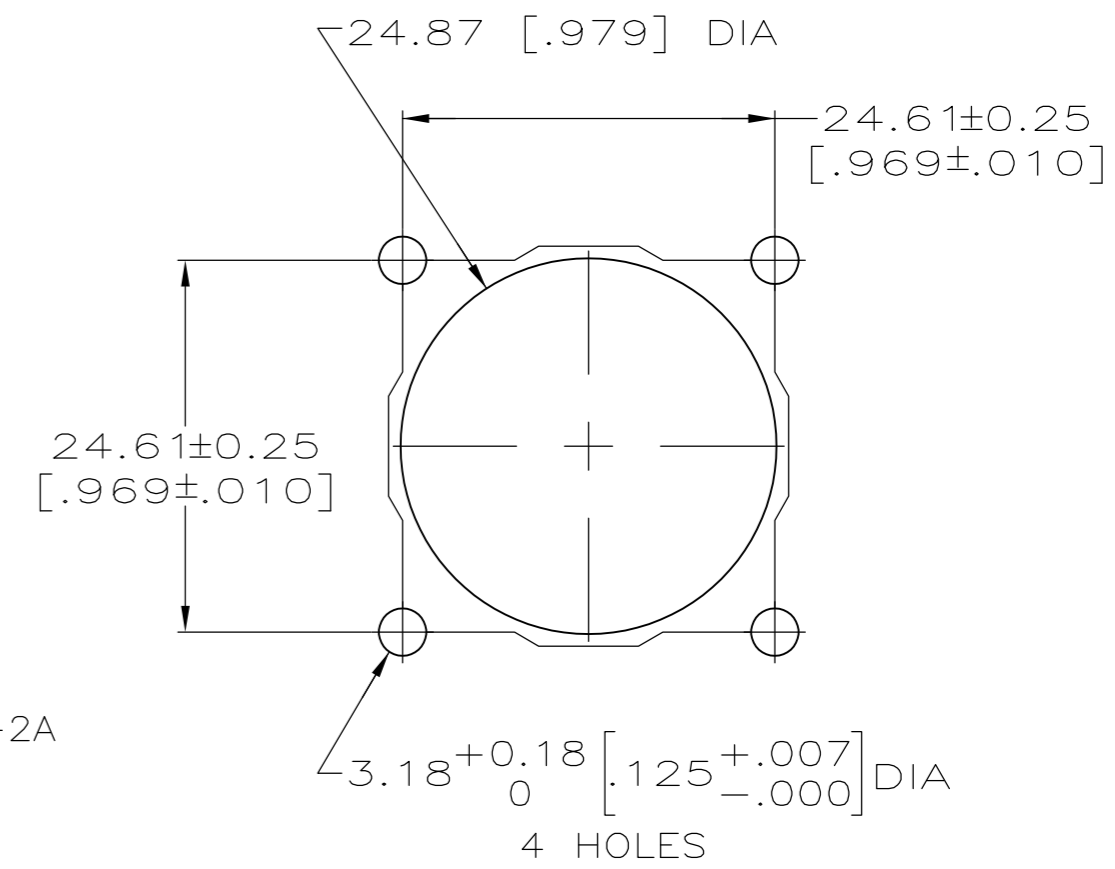
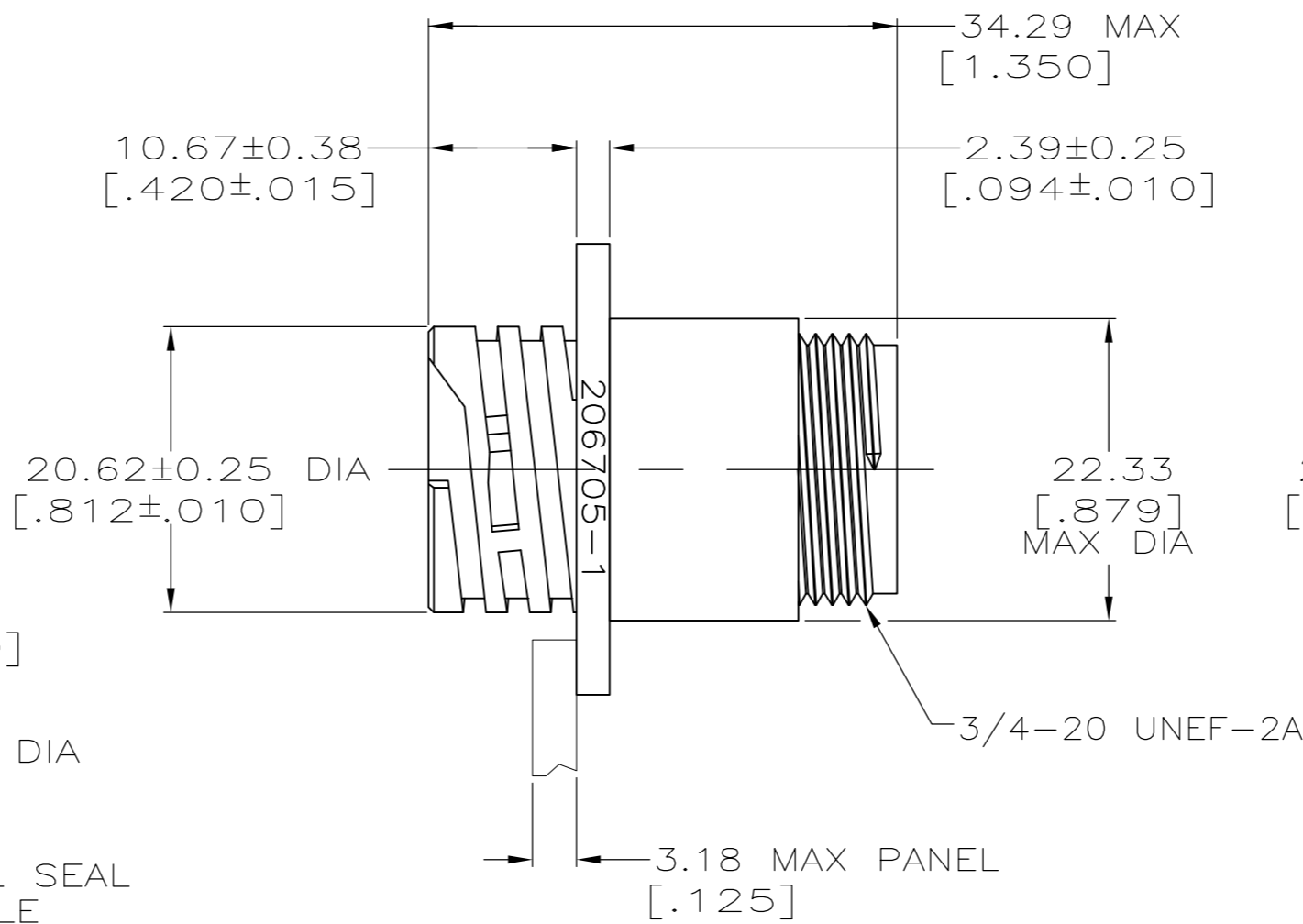
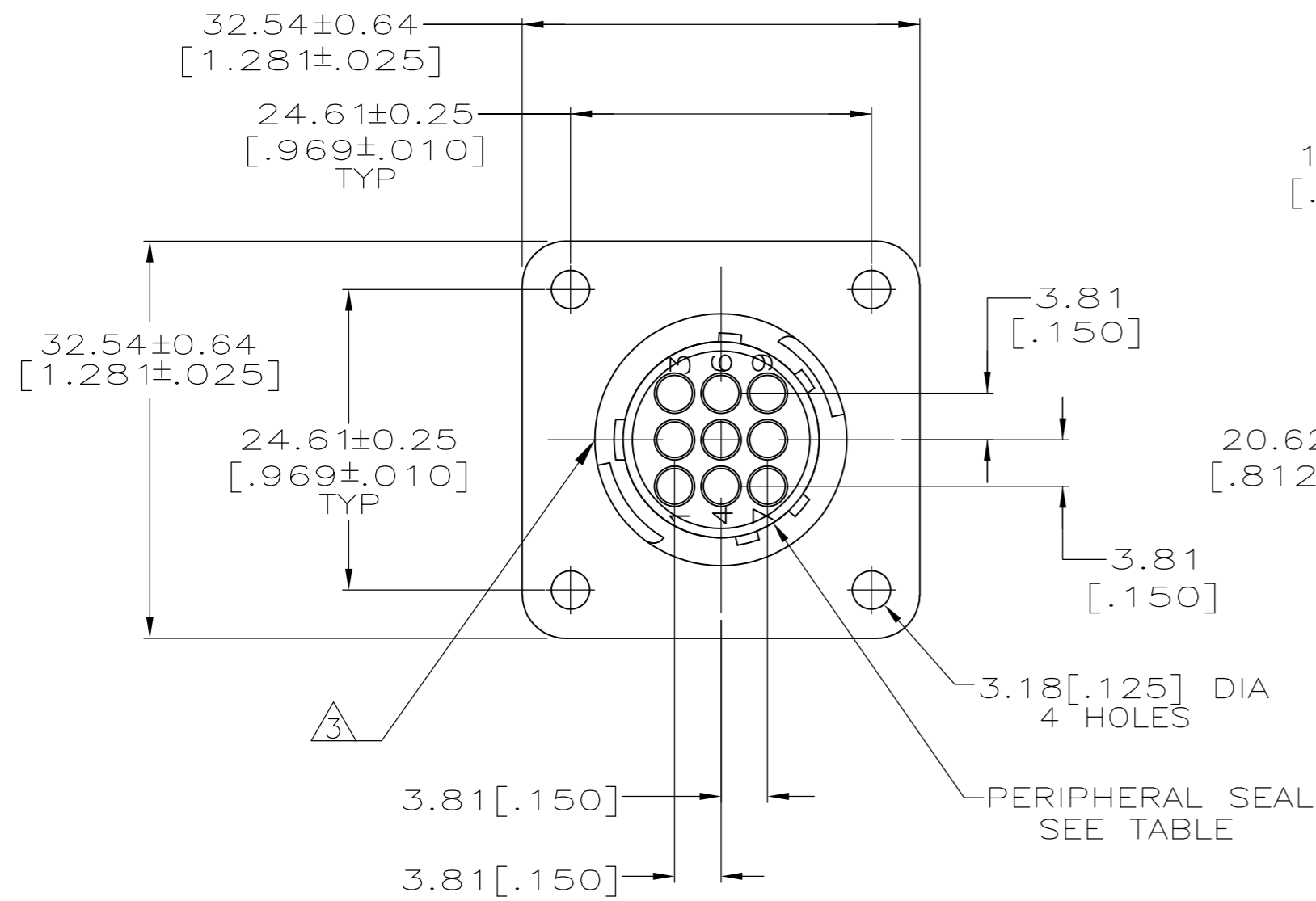


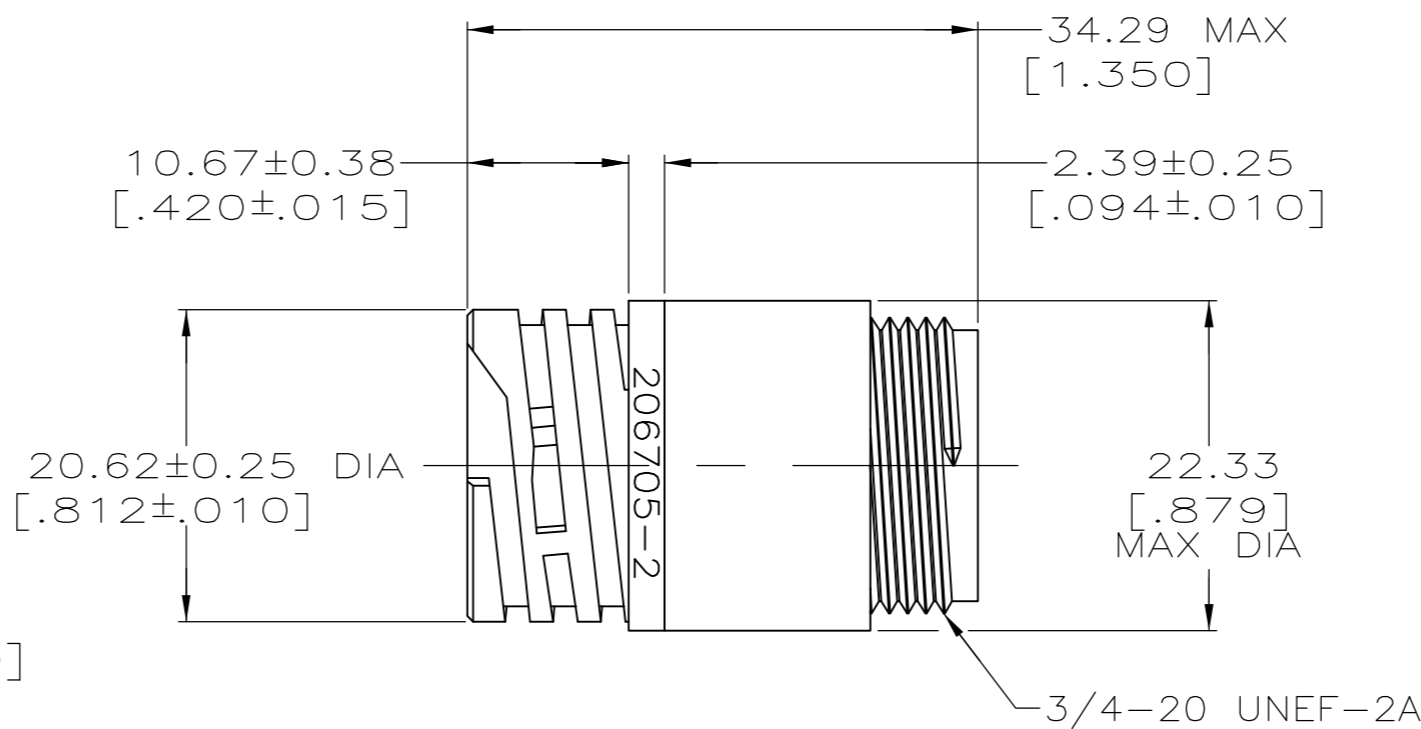
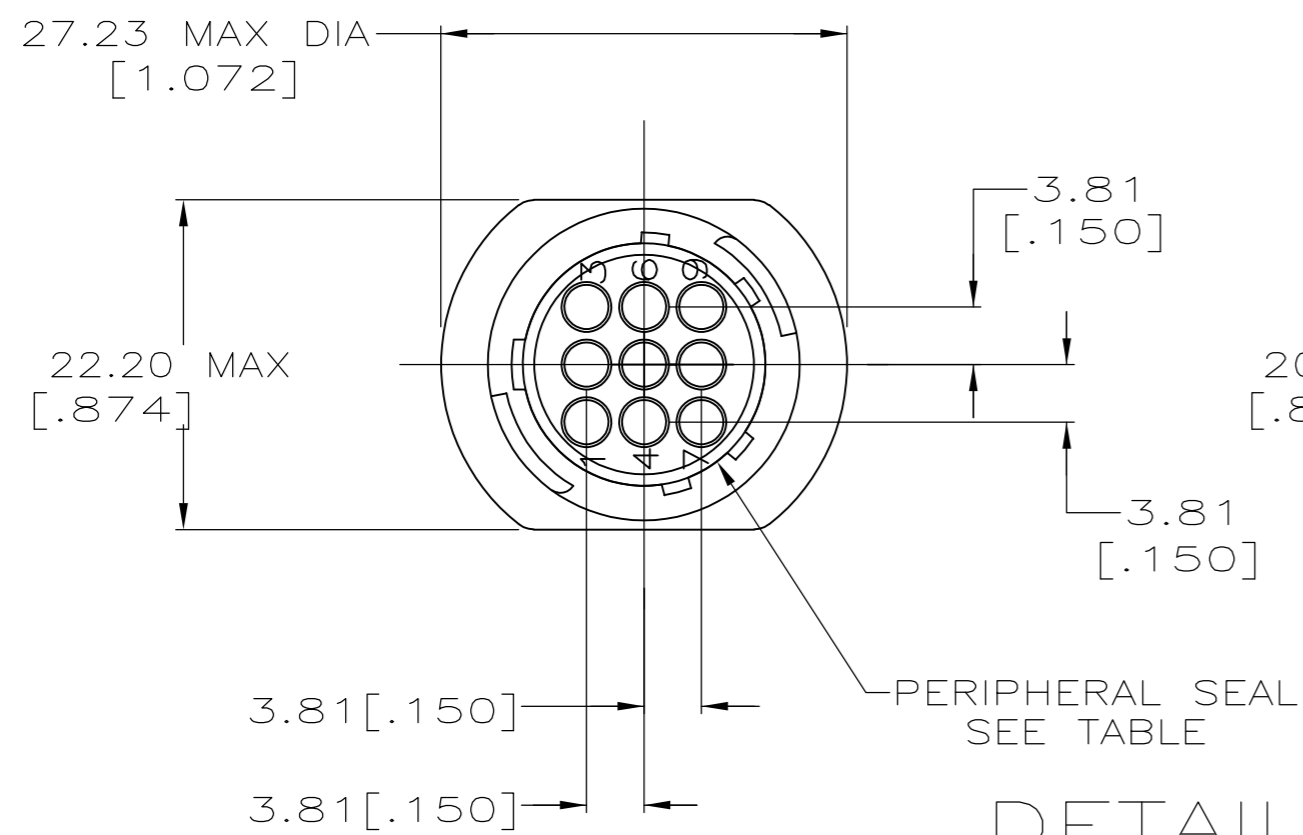
THIS DRAWING IS UNPUBLISHED. RELEASED FOR PUBLICATION  
 © COPYRIGHT - By - ALL RIGHTS RESERVED.

| REVISIONS |     |                           |           |       |
|-----------|-----|---------------------------|-----------|-------|
| P         | LTR | DESCRIPTION               | DATE      | APVD  |
| M         |     | REVISED PER ECO-12-015521 | 28SEP12   | KH MZ |
| N         |     | REVISED PER ECO-17-000037 | 10MAR2017 | RS MZ |



DETAIL A

RECOMMENDED PANEL CUTOUT



DETAIL B

|       |                 |            |             |          |
|-------|-----------------|------------|-------------|----------|
| 4     | 3               | NO         | A           | 206705-5 |
|       |                 | YES        | B           | 206705-4 |
|       |                 | YES        | A           | 206705-3 |
|       |                 | NO         | B           | 206705-2 |
|       |                 | NO         | A           | 206705-1 |
| NOTES | PERIPHERAL SEAL | SEE DETAIL | PART NUMBER |          |

- 1 CAVITY IDENTIFICATION ON FRONT AND REAR FACE.
- 2 RECEPTACLE WILL ACCEPT NINE (9) MULTIMATE PIN CONTACTS.
- 3 WHITE DOT OVER MAJOR KEY, APPROX WHERE SHOWN.
- 4 OBSOLETE PART NUMBER.

THIS DRAWING IS A CONTROLLED DOCUMENT.

|                  |              |           |
|------------------|--------------|-----------|
| DWN              | D.HARDY      | 05/19/94  |
| CHK              | R.STONE      | 05/20/94  |
| APVD             | -            | -         |
| PRODUCT SPEC     | 108-10024    |           |
| APPLICATION SPEC | -            |           |
| MATERIAL         | NYLON, BLACK | FINISH    |
| WEIGHT           | -            | SCALE     |
| CUSTOMER DRAWING |              | SCALE 2:1 |

TE Connectivity

RECEPTACLE HOUSING, STANDARD  
SEX, SHELL SIZE 13, CPC

|       |    |           |       |            |          |               |   |
|-------|----|-----------|-------|------------|----------|---------------|---|
| SIZE  | A2 | CAGE CODE | 00779 | DRAWING NO | C=206705 | RESTRICTED TO | - |
| SHEET | 1  | OF 1      | REV   | N          |          |               |   |

# Mouser Electronics

Authorized Distributor

Click to View Pricing, Inventory, Delivery & Lifecycle Information:

[TE Connectivity:](#)

[206705-4](#)