

4

3

2

1

THIS DRAWING IS UNPUBLISHED.

RELEASED FOR PUBLICATION

2008

© COPYRIGHT 2008 BY -

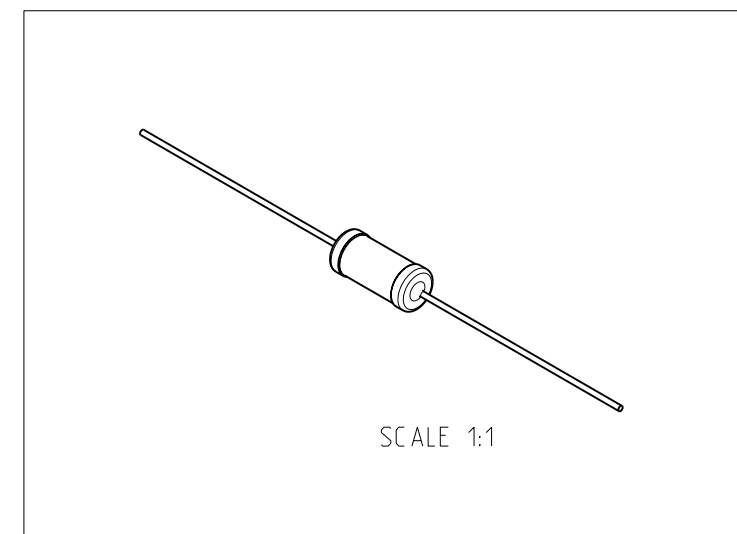
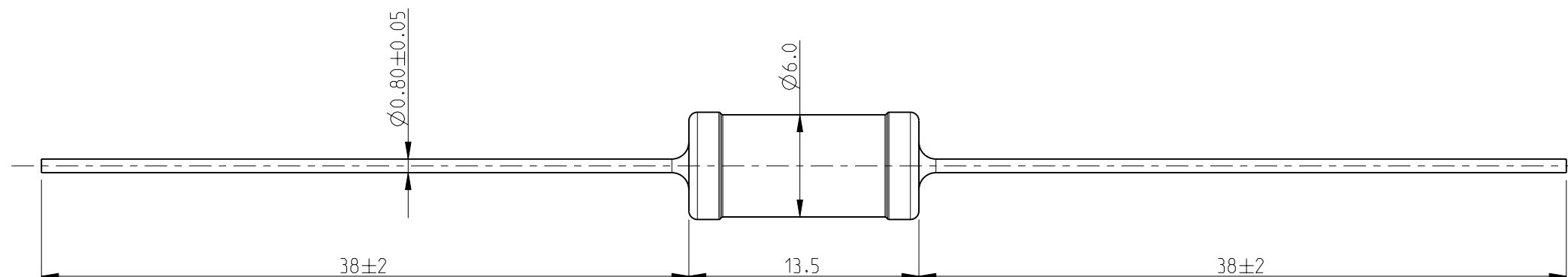
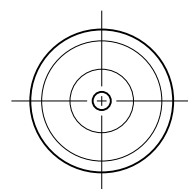
ALL RIGHTS RESERVED.

LOC E DIST B

REVISIONS

| P | LTR | DESCRIPTION               | DATE      | DWN | APVD |
|---|-----|---------------------------|-----------|-----|------|
|   | BA1 | REVISED PER ECO-11-005150 | 29MAR2011 | RK  | HMR  |

- 1. PACKAGING: AMMO PACKED
- 2. FOR FURTHER INFORMATION SEE DATA SHEET FOR SERIES ER/ERV- HIGH POWER RESISTORS



THIS DRAWING IS A CONTROLLED DOCUMENT.

DWN SUBHASH.M 28-JUL-09  
 CHK ALLAN.P 28-JUL-09  
 APVD STEPHEN.P 28-JUL-09



HIGH POWER RESISTORS  
 SERIES ER74

| DIMENSIONS: | TOLERANCES UNLESS OTHERWISE SPECIFIED: |
|-------------|--|
| mm          |  |
|             | 0 PLC ± 0.2                            |
|             | 1 PLC ± 0.1                            |
|             | 2 PLC ± -                              |
|             | 3 PLC ± -                              |
|             | 4 PLC ± -                              |
|             | ANGLES ± - ± 5°                        |
| MATERIAL -  | FINISH -                               |

|                  |   |
|------------------|---|
| PRODUCT SPEC     | - |
| APPLICATION SPEC | - |
| WEIGHT           | - |
| CUSTOMER DRAWING |   |

|       |           |            |     |               |   |
|-------|-----------|------------|-----|---------------|---|
| NAME  | -         |            |     | RESTRICTED TO | - |
| SIZE  | CAGE CODE | DRAWING NO |     |               |   |
| A3    | 00779     | 1623746    |     |               |   |
| SCALE | SHEET     | OF         | REV |               |   |
| 3:1   | 1         | 1          | BA1 |               |   |

# Mouser Electronics

Authorized Distributor

Click to View Pricing, Inventory, Delivery & Lifecycle Information:

[TE Connectivity:](#)

[ER741R5JT](#)