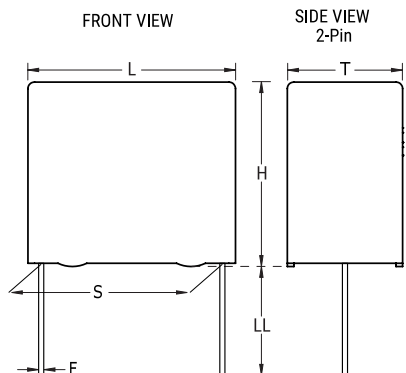


KEMET Part Number: PHE820MB6100MR17
(F720BQ104M275A)

PHE820M/F720, Film, Metallized Polyester, Safety, 0.1 uF, 20%, 275 VAC (X2), 760 VDC, 100°C, Lead Spacing = 15mm



Dimensions	
L	18mm MAX
H	16mm MAX
T	8.5mm MAX
S	15mm +/-0.4mm
LL	17mm -1mm
F	0.8mm NOM
G	0.5mm NOM

Packaging Specifications	
Packaging:	Bulk, Bag
Packaging Quantity:	400

General Information	
Series:	PHE820M/F720
Dielectric:	Metallized Polyester
Style:	Radial
Features:	EMI Safety
RoHS:	Yes
Lead:	Wire Leads
Safety Class:	X2
Qualifications:	ENEC, UL, cUL
AEC-Q200:	No
Miscellaneous:	SRF= 4.5 MHz
Notes:	Not For New Design, Please Check Possible Alternative Parts (AltPart)

Specifications	
Capacitance:	0.1 uF
Capacitance Tolerance:	20%
Voltage AC:	275 VAC (X2)
Voltage DC:	760 VDC
Temperature Range:	-40/+100°C
Rated Temperature:	100°C
Dissipation Factor:	1.00% 1kHz
Insulation Resistance:	30 GOhms
Max dV/dt:	100 V/us