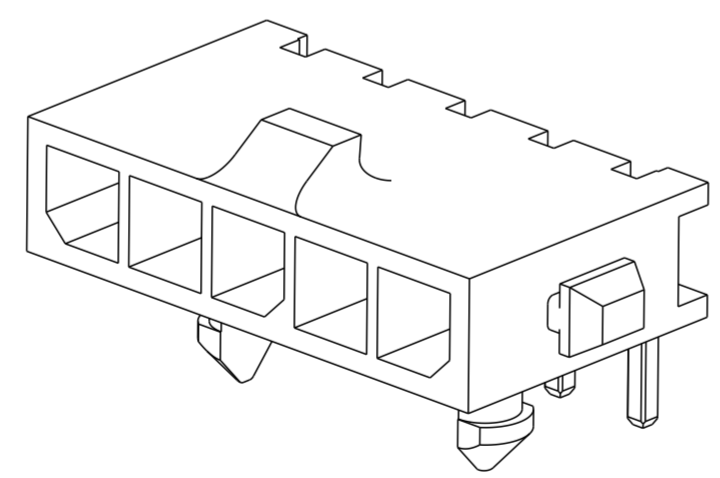
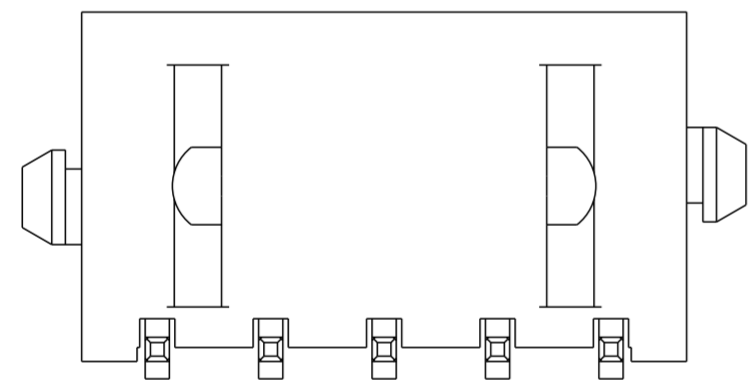
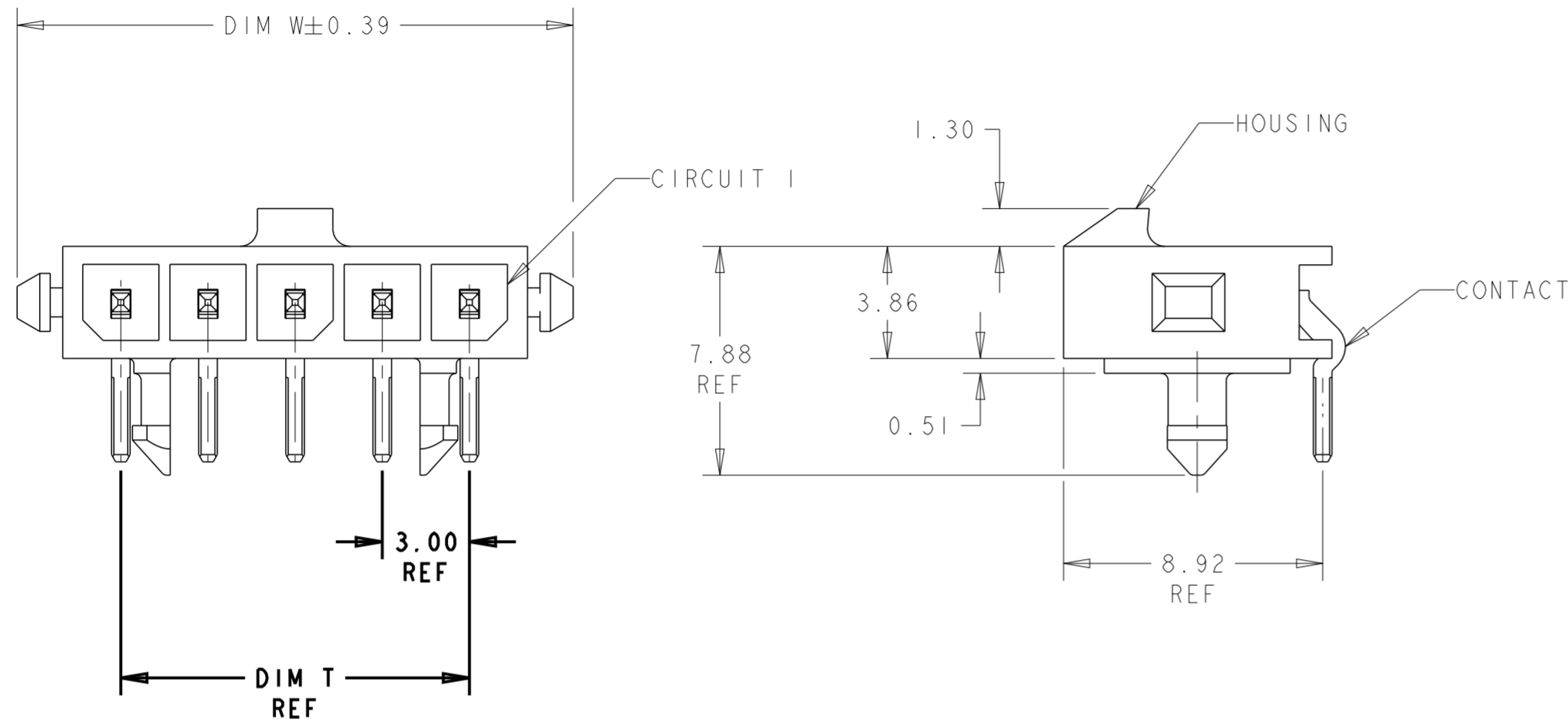


THIS DRAWING IS UNPUBLISHED. RELEASED FOR PUBLICATION 20  
 © COPYRIGHT 20 BY - ALL RIGHTS RESERVED.

REVISIONS					
P	LTR	DESCRIPTION	DATE	DWN	APVD
	B1	REVISED PER ECR-16-011494	20JUN2017	NK	CX



- 1 MATERIAL: CONTACTS - BRASS  
HOUSING - UL 94V-0 RATED HIGH TEMP NYLON, COLOR BLACK.
- 2 PLATING: CONTACTS - 2.54µm MINIMUM TIN-LEAD OVER 1.27µm MINIMUM NICKEL.
- 4 RECOMMENDED PC BOARD THICKNESS OF 1.57.
- 5 PLATING: CONTACTS - 2.54µm MINIMUM MATTE TIN OVER 1.27µm MINIMUM NICKEL.

5	33.00	28.70	33.00	40.14	12	3-1445055-2	
5	30.00	25.70	30.00	37.14	11	3-1445055-1	
5	27.00	22.70	27.00	34.14	10	3-1445055-0	
5	24.00	19.70	24.00	31.14	9	2-1445055-9	
5	21.00	16.70	21.00	28.14	8	2-1445055-8	
5	18.00	13.70	18.00	25.14	7	2-1445055-7	
5	15.00	10.70	15.00	22.14	6	2-1445055-6	
5	12.00	7.70	12.00	19.14	5	2-1445055-5	
5	9.00	4.70	9.00	16.14	4	2-1445055-4	
5	-	-	6.00	13.14	3	2-1445055-3	
5	-	-	3.00	10.14	2	2-1445055-2	
SUPERSEDED BY 3-1445055-2	2	33.00	28.70	33.00	40.14	12	+1445055-2-
SUPERSEDED BY 3-1445055-1	2	30.00	25.70	30.00	37.14	11	+1445055-1-
SUPERSEDED BY 3-1445055-0	2	27.00	22.70	27.00	34.14	10	+1445055-0-
SUPERSEDED BY 2-1445055-9	2	24.00	19.70	24.00	31.14	9	+445055-9-
SUPERSEDED BY 2-1445055-8	2	21.00	16.70	21.00	28.14	8	+445055-8-
SUPERSEDED BY 2-1445055-7	2	18.00	13.70	18.00	25.14	7	+445055-7-
SUPERSEDED BY 2-1445055-6	2	15.00	10.70	15.00	22.14	6	+445055-6-
SUPERSEDED BY 2-1445055-5	2	12.00	7.70	12.00	19.14	5	+445055-5-
SUPERSEDED BY 2-1445055-4	2	9.00	4.70	9.00	16.14	4	+445055-4-
SUPERSEDED BY 2-1445055-3	2	-	-	6.00	13.14	3	+445055-3-
SUPERSEDED BY 2-1445055-2	2	-	-	3.00	10.14	2	+445055-2-
FINISH	DIM Z	DIM V	DIM T	DIM W	NO. OF POSN	PART NUMBER	

THIS DRAWING IS A CONTROLLED DOCUMENT. DWN J.ROOT 06OCT2000  
 CHK K.WHITAKER 13-MAR-2001  
 APVD K.WHITAKER 13-MAR-2001

**STE** TE Connectivity

NAME: RIGHT ANGLE THRU HOLEHEADER ASSY, TIN CONTACTS W/PLASTIC HOLDDOWNS, SINGLE ROW, MICRO MATE-N-LOK™

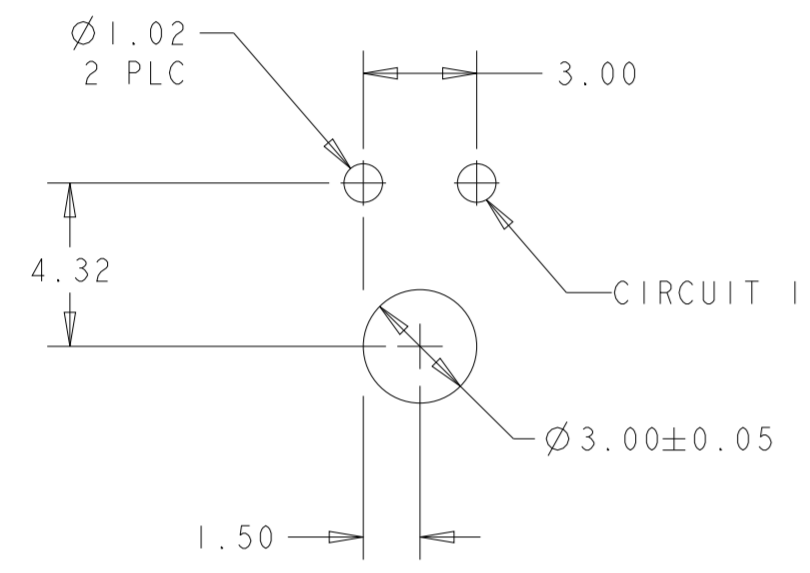
SIZE: A2 CAGE CODE: 00779 DRAWING NO: C-1445055 RESTRICTED TO: -

MATERIAL: SEE TABLE FINISH: SEE TABLE WEIGHT: -

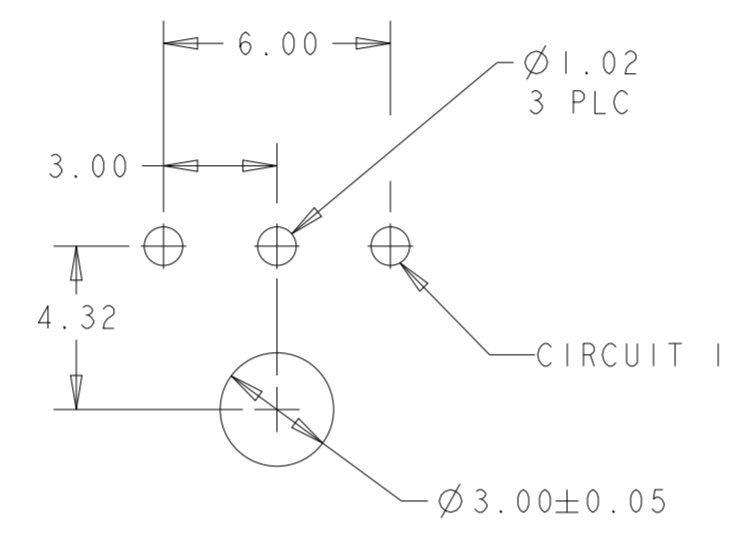
CUSTOMER DRAWING SCALE: 5:1 SHEET: 1 OF 2 REV: B1

THIS DRAWING IS UNPUBLISHED. RELEASED FOR PUBLICATION 20  
 © COPYRIGHT 20 BY - ALL RIGHTS RESERVED.

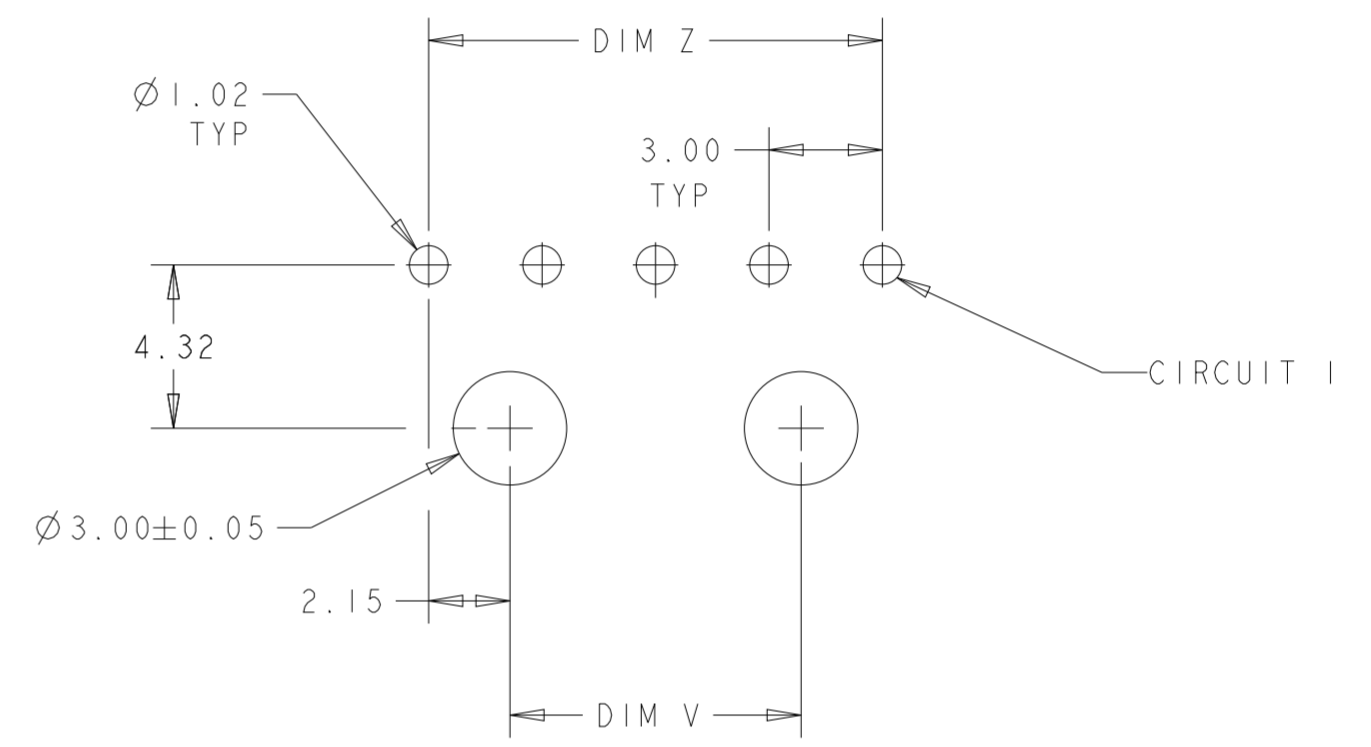
REVISIONS				
P	LTR	DESCRIPTION	DATE	APVD
-	-	SEE SHEET 1	-	-



PCB LAYOUT FOR 2 POSITION  $\triangle$   
 COMPONENT SIDE



PCB LAYOUT FOR 3 POSITION  $\triangle$   
 COMPONENT SIDE



PCB LAYOUT FOR 4-12 POSITION  $\triangle$   
 COMPONENT SIDE

THIS DRAWING IS A CONTROLLED DOCUMENT.		DWN J. ROOT 06OCT2000	TE Connectivity															
DIMENSIONS: mm		CHK K. WHITAKER 13-MAR-2001																
TOLERANCES UNLESS OTHERWISE SPECIFIED:		APVD K. WHITAKER 13-MAR-2001	NAME RIGHT ANGLE THRU HOLEHEADER ASSY, TIN CONTACTS W/PLASTIC HOLDDOWNS, SINGLE ROW, MICRO MATE-N-LOK™															
<table border="0"> <tr><td>0 PLC</td><td>±</td></tr> <tr><td>1 PLC</td><td>±</td></tr> <tr><td>2 PLC</td><td>±0.13</td></tr> <tr><td>3 PLC</td><td>±</td></tr> <tr><td>4 PLC</td><td>±</td></tr> <tr><td>ANGLES</td><td>±</td></tr> <tr><td>FINISH</td><td>±</td></tr> </table>		0 PLC	±	1 PLC	±	2 PLC	±0.13	3 PLC	±	4 PLC	±	ANGLES	±	FINISH	±	PRODUCT SPEC -	SIZE A200779	
0 PLC	±																	
1 PLC	±																	
2 PLC	±0.13																	
3 PLC	±																	
4 PLC	±																	
ANGLES	±																	
FINISH	±																	
MATERIAL $\triangle$		APPLICATION SPEC -	CAGE CODE C-1445055															
SEE TABLE		WEIGHT -	DRAWING NO -															
CUSTOMER DRAWING		SCALE 5:1		SHEET 2 OF 2														
		REV B1																

# Mouser Electronics

Authorized Distributor

Click to View Pricing, Inventory, Delivery & Lifecycle Information:

[TE Connectivity:](#)

[2-1445055-8](#)