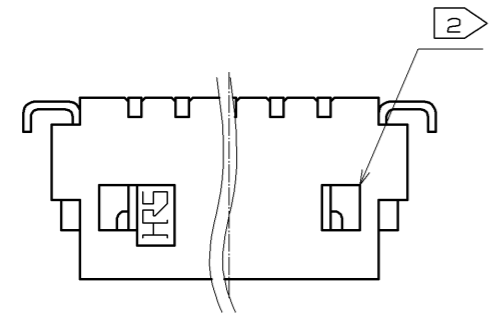
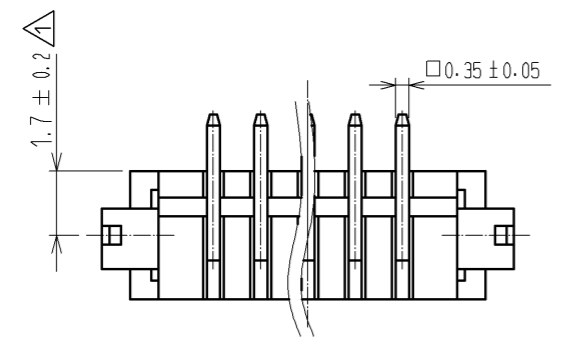
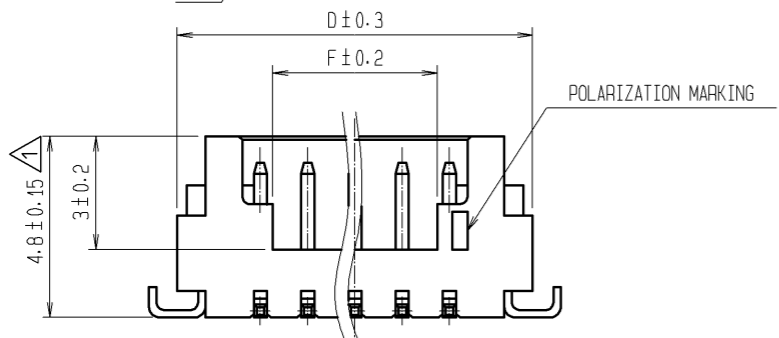
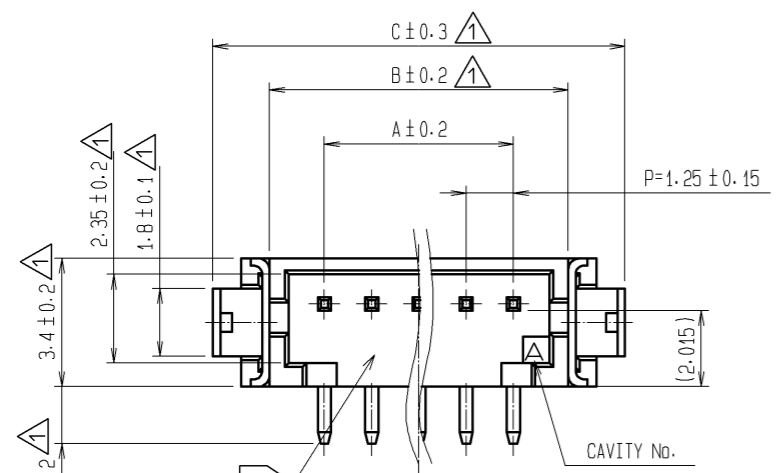
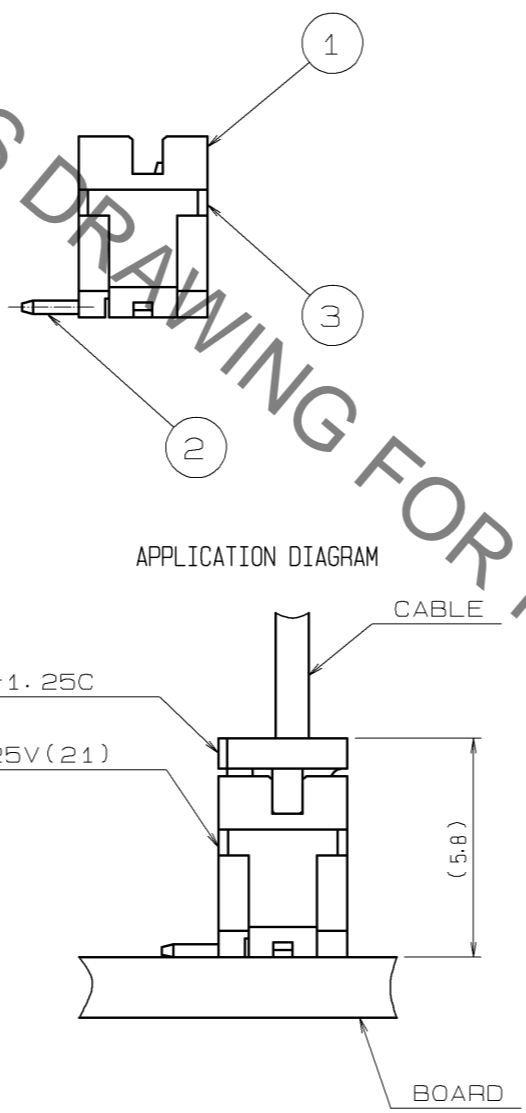


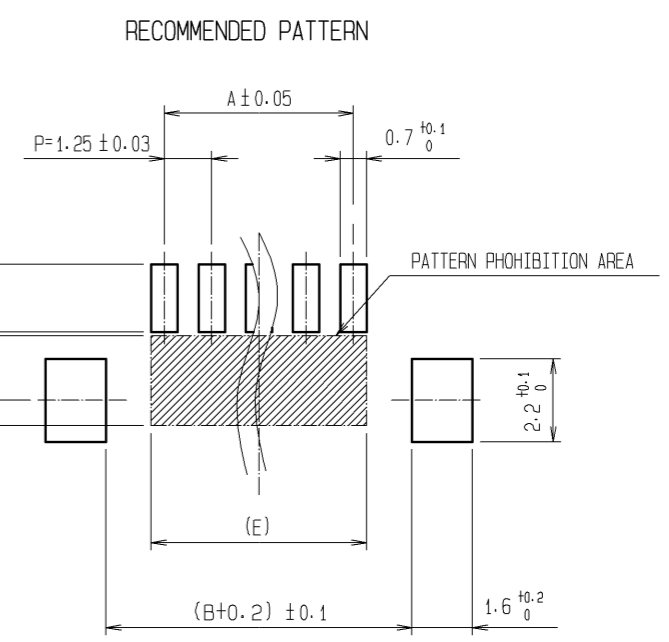
Sep.1.2020 Copyright 2020 HIROSE ELECTRIC CO., LTD. All Rights Reserved.  
In case of consideration for using Automotive equipment / device which demand high reliability, kindly contact our sales window correspondents.



HRS DRAWING FOR REFERENCE



| CODE No.        | CONTACT | A     | B     | C     | D     | E     | F     |
|-----------------|---------|-------|-------|-------|-------|-------|-------|
| CL536-0401-2-21 | 2       | 1.25  | 4.15  | 7.15  | 5.65  | 1.95  | 2.2   |
| CL536-0402-5-21 | 3       | 2.5   | 5.4   | 8.4   | 6.9   | 3.2   | 3.45  |
| CL536-0403-8-21 | 4       | 3.75  | 6.65  | 9.65  | 8.15  | 4.45  | 3.1   |
| CL536-0404-0-21 | 5       | 5.0   | 7.9   | 10.9  | 9.4   | 5.7   | 4.35  |
| CL536-0405-3-21 | 6       | 6.25  | 9.15  | 12.15 | 10.65 | 6.95  | 5.6   |
| CL536-0406-6-21 | 7       | 7.5   | 10.4  | 13.4  | 11.9  | 8.2   | 6.85  |
| CL536-0407-9-21 | 8       | 8.75  | 11.65 | 14.65 | 13.15 | 9.45  | 8.1   |
| CL536-0408-1-21 | 9       | 10.0  | 12.9  | 15.9  | 14.4  | 10.7  | 9.35  |
| CL536-0409-4-21 | 10      | 11.25 | 14.15 | 17.15 | 15.65 | 11.95 | 10.6  |
| CL536-0410-3-21 | 11      | 12.5  | 15.4  | 18.4  | 16.9  | 13.2  | 11.85 |
| CL536-0411-6-21 | 12      | 13.75 | 16.65 | 19.65 | 18.15 | 14.45 | 13.1  |
| CL536-0413-1-21 | 14      | 16.25 | 19.15 | 22.15 | 20.65 | 16.95 | 15.6  |
| CL536-0414-4-21 | 15      | 17.5  | 20.4  | 23.4  | 21.9  | 18.2  | 16.85 |



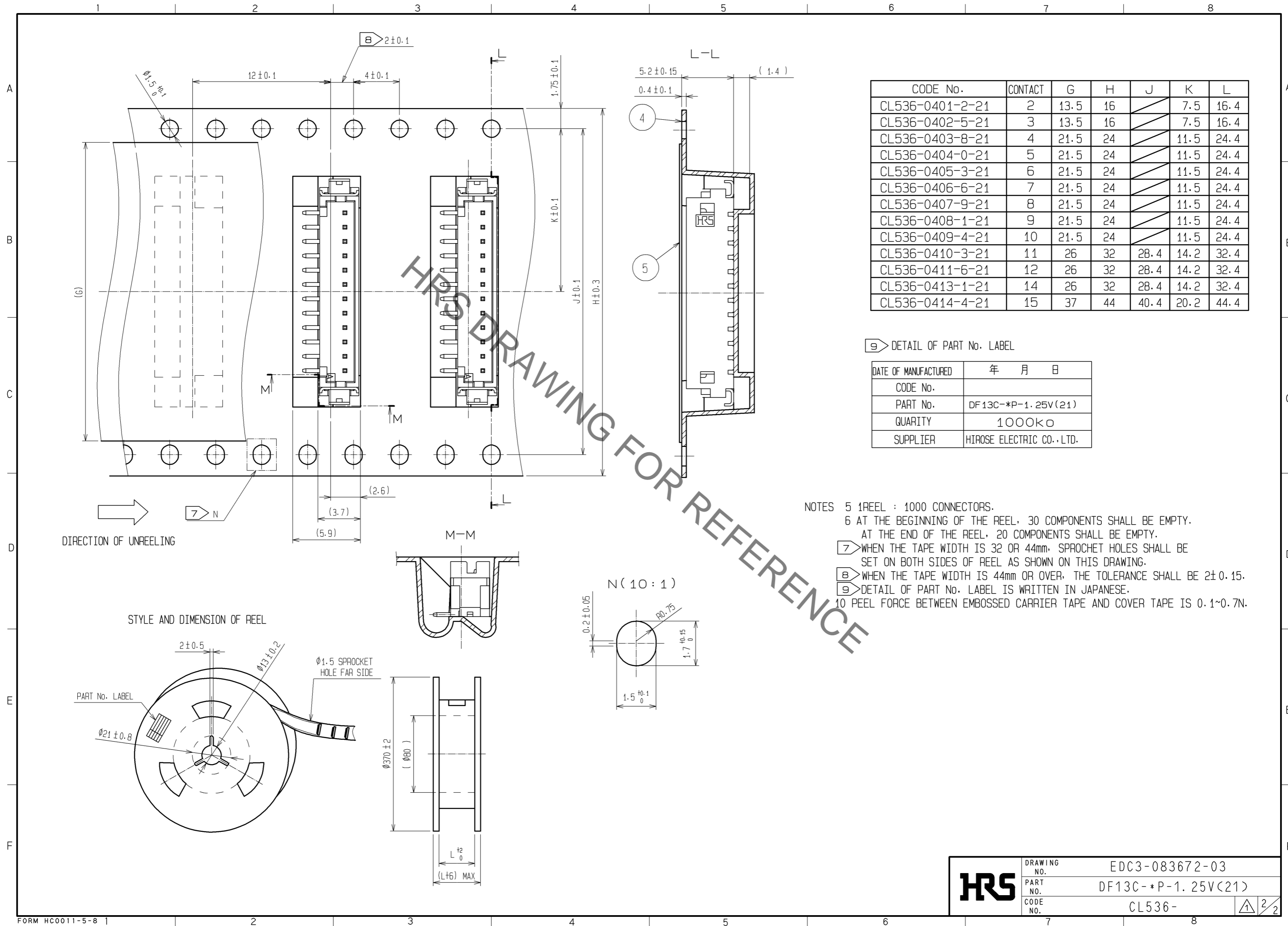
- NOTES
- 1 WHEN THIS CONNECTOR MATES WITH DF13-\*S-1.25C, THE MATING LENGTH IS 5.8mm.
  - 2 WHEN THIS CONNECTOR HAS TWO OR THREE CONTACTS, THE LOCK SHALL BE SET AT THE CENTER OF HOUSING. IF MORE THAN FOUR, THE TWO LOCKS SHALL BE SET AS SHOWN ON THIS DRAWING.
  - 3 LEAD CO-PLANARITY INCLUDING REINFORCED METAL FITTINGS SHALL BE WITHIN 0.1mm.
  - 4 AREA TO PICK AND PLACE.

| NO. | MATERIAL        | FINISH | REMARKS                      | NO. | MATERIAL  | FINISH | REMARKS                      |
|-----|-----------------|--------|------------------------------|-----|-----------|--------|------------------------------|
| 3   | PHOSPHOR BRONZE |        | SURFACE: TIN PLATED 1μm min. | 5   | POLYESTER |        | COVER TAPE: CLEAR            |
| 2   | BRASS           |        | SURFACE: TIN PLATED 1μm min. | 4   | PS        |        | EMBOSSED CARRIER TAPE: CLEAR |
| 1   | POLYAMIDE       |        | UL94V-0, (BEIGE)             |     |           |        |                              |

|          |    |              |       |          |   |                          |              |                    |          |
|----------|----|--------------|-------|----------|---|--------------------------|--------------|--------------------|----------|
| UNITS    | mm | SCALE        | 5 : 1 | COUNT    | 8 | DESCRIPTION OF REVISIONS | DESIGNED     | CHECKED            | DATE     |
|          |    |              |       |          |   | DIS-H-005399             | TS. KUMAZAWA | HK. UMEHARA        | 10.12.14 |
| APPROVED |    | TY. OMA      |       | 05.10.31 |   | DRAWING NO.              |              | EDC3-083672-03     |          |
| CHECKED  |    | HK. UMEHARA  |       | 05.10.31 |   | PART NO.                 |              | DF13C-*P-1.25V(21) |          |
| DESIGNED |    | TS. KUMAZAWA |       | 05.10.31 |   | CODE NO.                 |              | CL536-             |          |
| DRAWN    |    | AK. MIURA    |       | 05.10.27 |   |                          |              |                    |          |

Sep.1.2020 Copyright 2020 HIROSE ELECTRIC CO., LTD. All Rights Reserved.  
 In case of consideration for using Automotive equipment / device which demand high reliability, kindly contact our sales window correspondents.



| CODE No.        | CONTACT | G    | H  | J    | K    | L    |
|-----------------|---------|------|----|------|------|------|
| CL536-0401-2-21 | 2       | 13.5 | 16 | /    | 7.5  | 16.4 |
| CL536-0402-5-21 | 3       | 13.5 | 16 | /    | 7.5  | 16.4 |
| CL536-0403-8-21 | 4       | 21.5 | 24 | /    | 11.5 | 24.4 |
| CL536-0404-0-21 | 5       | 21.5 | 24 | /    | 11.5 | 24.4 |
| CL536-0405-3-21 | 6       | 21.5 | 24 | /    | 11.5 | 24.4 |
| CL536-0406-6-21 | 7       | 21.5 | 24 | /    | 11.5 | 24.4 |
| CL536-0407-9-21 | 8       | 21.5 | 24 | /    | 11.5 | 24.4 |
| CL536-0408-1-21 | 9       | 21.5 | 24 | /    | 11.5 | 24.4 |
| CL536-0409-4-21 | 10      | 21.5 | 24 | /    | 11.5 | 24.4 |
| CL536-0410-3-21 | 11      | 26   | 32 | 28.4 | 14.2 | 32.4 |
| CL536-0411-6-21 | 12      | 26   | 32 | 28.4 | 14.2 | 32.4 |
| CL536-0413-1-21 | 14      | 26   | 32 | 28.4 | 14.2 | 32.4 |
| CL536-0414-4-21 | 15      | 37   | 44 | 40.4 | 20.2 | 44.4 |

DETAIL OF PART No. LABEL

|                      |                          |
|----------------------|--------------------------|
| DATE OF MANUFACTURED | 年 月 日                    |
| CODE No.             |                          |
| PART No.             | DF13C-*P-1.25V(21)       |
| QUANTITY             | 1000K $\phi$             |
| SUPPLIER             | HIROSE ELECTRIC CO.,LTD. |

- NOTES
- 5 1REEL : 1000 CONNECTORS.
  - 6 AT THE BEGINNING OF THE REEL, 30 COMPONENTS SHALL BE EMPTY.  
AT THE END OF THE REEL, 20 COMPONENTS SHALL BE EMPTY.
  - 7 WHEN THE TAPE WIDTH IS 32 OR 44mm, SPROCKET HOLES SHALL BE SET ON BOTH SIDES OF REEL AS SHOWN ON THIS DRAWING.
  - 8 WHEN THE TAPE WIDTH IS 44mm OR OVER, THE TOLERANCE SHALL BE 2±0.15.
  - 9 DETAIL OF PART No. LABEL IS WRITTEN IN JAPANESE.
  - 10 PEEL FORCE BETWEEN EMBOSSED CARRIER TAPE AND COVER TAPE IS 0.1~0.7N.

|            |             |                    |
|------------|-------------|--------------------|
| <b>HRS</b> | DRAWING NO. | EDC3-083672-03     |
|            | PART NO.    | DF13C-*P-1.25V(21) |
|            | CODE NO.    | CL536-             |