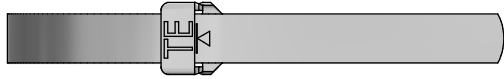


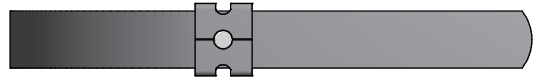
ONE STEP BAND STRAP - STRAIGHT



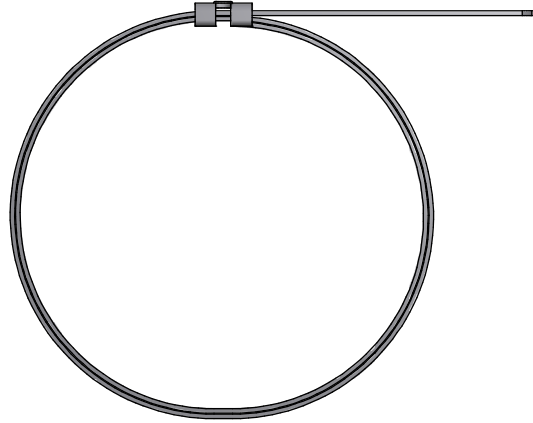
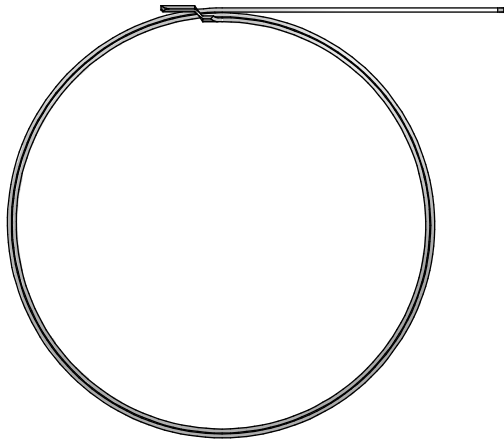
TWO STEP BAND STRAP - STRAIGHT



ONE STEP BAND STRAP - PRE-COILED



TWO STEP BAND STRAP - PRE-COILED

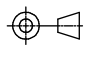




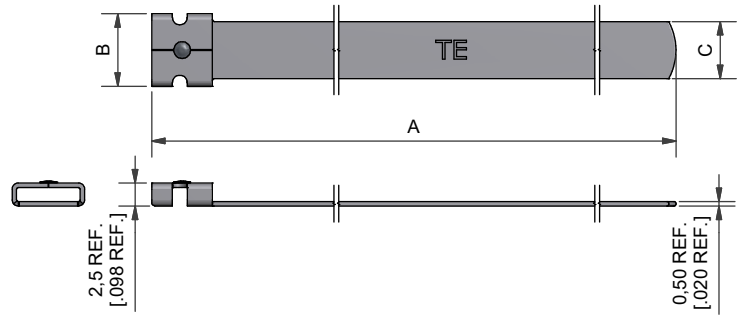
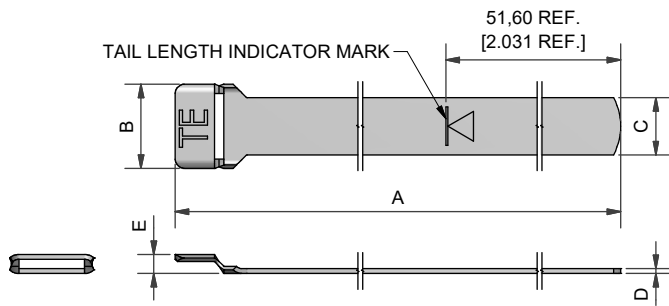
**BND-0812X**

- SCREEN TERMINATION BAND
- BAND LENGTH IN INCHES
- BAND WIDTH IN INCHES
- BAND CONFIGURATION
- S - STRAIGHT (FLAT)
- P - PRE-COILED

**NOTES:**

1. THE BAND STRAPS ARE CONSTRUCTED FROM 300 SERIES PASSIVATED CORROSION RESISTING STEEL.
2. THE PRODUCT SHALL BE IDENTIFIED ON THE PACKAGE LABEL.
3. PART MARKING:  
ONE STEP BAND STRAP WILL BE PERMANENTLY MARKED WITH TE LOGO.  
TWO STEP BAND STRAP WILL BE PERMANENTLY MARKED WITH TE LOGO.
4. RECOMMENDED INSTALLATION TOOLS:  
BND-0812X: M81306/1-02 OR EQUIVALENT.  
BND-1412X: TF1700 OR EQUIVALENT.  
BND-1425X : M81306/1-01 OR EQUIVALENT.  
BND-1225X : M81306/2-01 OR EQUIVALENT.
5. THE INSTALLATION TOOL FOR ONE STEP BAND AND TWO STEP BAND ARE NOT INTERCHANGEABLE.

<b>DRAWN</b>	K.WINCZURA	<b>DATE</b>	02/06/2016	 3RD ANGLE PROJECTION NOT TO SCALE	<b>TITLE:</b>	<p>BND-*****</p>	 Polanco	
<b>CHECKED</b>		02/06/2016						
<b>APPROVED</b>	K.SHEPPARD	30/10/2015	UNLESS OTHERWISE SPECIFIED ALL DIMENSIONS IN MILLIMETRES <b>GENERAL TOL</b> LINEAR +/-0.25MM ANGULAR +/- 1°					
<b>APPROVED</b>	D.JONES	26/07/2016						
<b>REVISIONS</b>					<b>ASSY USED ON:</b>  <p>SCREEN TERMINATION BAND</p>	 TE connectivity		
<b>LTR</b>	<b>DESCRIPTION</b>	<b>DATE</b>	<b>APPROVED</b>					
E	REVISED PER ECO-16-000290	08/01/2016	H.SMITH					
F	REVISED PER ECO-16-011070	26/07/2016	D.JONES					
TE CAGE CODE: 06090 PASSIVATE POLAMCO/TE CAGE CODE: U5792					TE CONNECTIVITY - POLAMCO LTD RESERVES THE RIGHT TO AMEND THIS DRAWING AND THE INFORMATION SET FORTH HEREON AT ANY TIME. USERS SHOULD INDEPENDENTLY EVALUATE THE SUITABILITY OF THE PRODUCT FOR THEIR APPLICATION.	<b>DRAWING NO:</b> BND-XXXXX	<b>DRAWING REV:</b> F	<b>SHT</b> 1

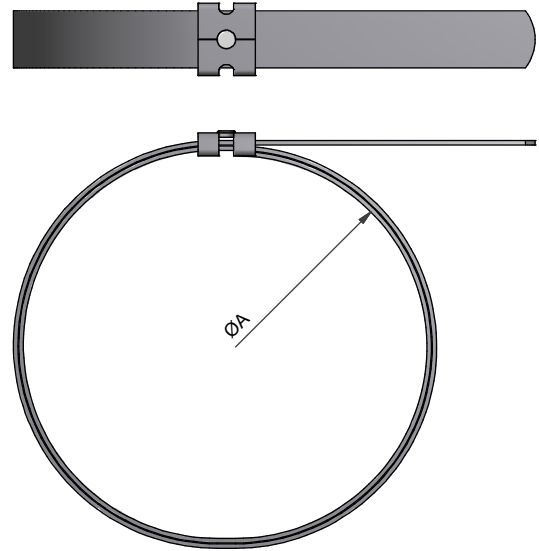
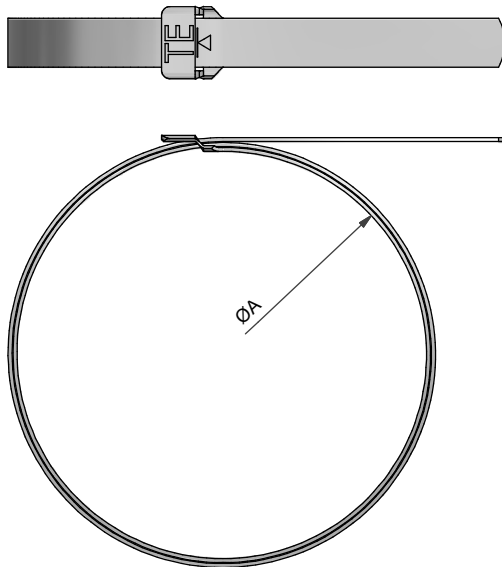


ONE STEP BAND STRAP - STRAIGHT

PART NUMBER	ENTRY SIZE	A ±1,8 [±.071]	B ±1,0 [±.040]	C ±0,2 [±.010]	D REF.	E REF.
BND-0812S	03 TO 12	206,3 [8.120]	5,0 [.197]	2,9 [.114]	0,4 [.016]	1,8 [.071]
BND-1412S	03 TO 24	362,0 [14.252]	5,0 [.197]	3,0 [.118]	0,4 [.016]	1,8 [.071]
BND-1425S	03 TO 24	362,1 [14.260]	8,9 [.350]	6,2 [.244]	0,5 [.020]	1,9 [.075]

TWO STEP BAND STRAP - STRAIGHT

PART NUMBER	ENTRY SIZE	A ±1,8 [±.071]	B ±1,0 [±.040]	C ±0,2 [±.010]
BND-1225S	03 TO 24	358,8 [14.126]	8,3 [.327]	6,2 [.244]



ONE STEP BAND STRAP - PRE-COILED

PART NUMBER	ENTRY SIZE	ØA REF
BND-0812P	03 TO 12	21,8 [.858]
BND-1412P	03 TO 24	44,5 [1.752]
BND-1425P	03 TO 24	44,5 [1.752]

TWO STEP BAND STRAP - PRE-COILED

PART NUMBER	ENTRY SIZE	ØA REF
BND-1225P	03 TO 24	44,5 [1.752]

DRAWN	K.WINCZURA	DATE	02/06/2016
CHECKED		DATE	02/06/2016
APPROVED	K.SHEPPARD	DATE	30/10/2015
APPROVED	D.JONES	DATE	26/07/2016

3RD ANGLE PROJECTION  
NOT TO SCALE

UNLESS OTHERWISE SPECIFIED  
ALL DIMENSIONS IN MILLIMETRES  
**GENERAL TOL**  
LINEAR +/-0.25MM  
ANGULAR +/- 1°

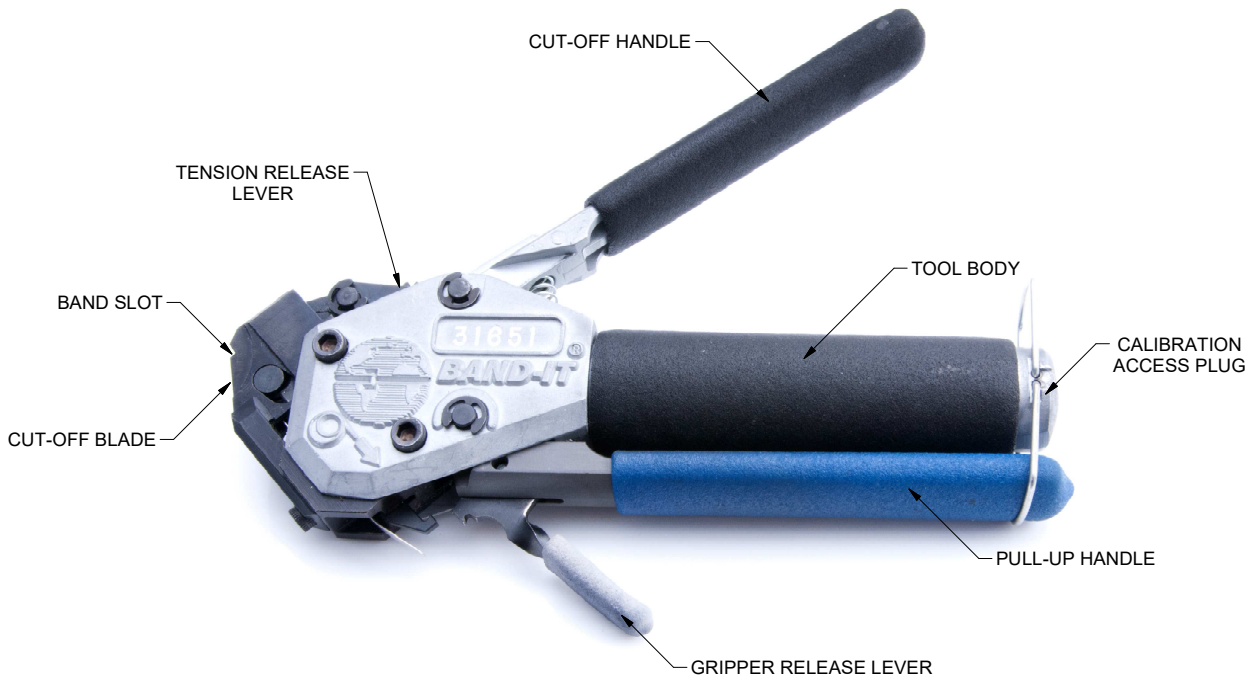
**TITLE:** BND-\*\*\*\*

**ASSY USED ON:** SCREEN TERMINATION BAND



REVISIONS			
LTR	DESCRIPTION	DATE	APPROVED
E	REVISED PER ECO-16-000290	08/01/2016	H.SMITH
F	REVISED PER ECO-16-011070	26/07/2016	D.JONES

TE CAGE CODE: 06090  
POLAMCO/TE CAGE CODE: U5792



PART NUMBER	DESCRIPTION	BAND SLOT WIDTH (MM)	VISUALISATION
M81306/1-02	PRE-CALIBRATED HAND TOOL FOR ONE STEP MICRO BAND BND-0812S BND-0812P BND-1412S BND-1412P	3,18	
M81306/1-01	PRE-CALIBRATED HAND TOOL FOR ONE STEP STANDARD BANDS BND-1425S BND-1425P	6,35	
TF1700 INCLUDES: - TIGHTENING TOOL - M81306/2-01A - FOLDING TOOL - TF1696 (SLIP JOINT PLIERS)	PRE-CALIBRATED HAND TOOL FOR TWO STEP BAND BND-1225S BND-1225P	6,65	<p>TIGHTENING TOOL M81306/2-01A BAND SLOT AND CUT-OFF MECHANISM CUT-OFF HANDLE PULL-UP HANDLE FOLDING TOOL TF1696</p>

DRAWN	K.WINCZURA	DATE	02/06/2016	<p>3RD ANGLE PROJECTION NOT TO SCALE</p> <p>UNLESS OTHERWISE SPECIFIED ALL DIMENSIONS IN MILLIMETRES</p> <p><b>GENERAL TOL</b> LINEAR +/-0.25MM ANGULAR +/- 1°</p>
CHECKED		DATE	02/06/2016	
APPROVED	K.SHEPPARD	DATE	30/10/2015	
APPROVED	D.JONES	DATE	26/07/2016	

REVISIONS			
LTR	DESCRIPTION	DATE	APPROVED
E	REVISED PER ECO-16-000290	08/01/2016	H.SMITH
F	REVISED PER ECO-16-011070	26/07/2016	D.JONES

<b>TITLE:</b>	<b>RECOMMENDED TOOLING</b>		
<b>ASSY USED ON:</b>	<b>SCREEN TERMINATION BAND</b>		



TE CAGE CODE: 06090  
POLAMCO/TE CAGE CODE: U5792

TE CONNECTIVITY - POLAMCO LTD RESERVES THE RIGHT TO AMEND THIS DRAWING AND THE INFORMATION SET FORTH HEREON AT ANY TIME. USERS SHOULD INDEPENDENTLY EVALUATE THE SUITABILITY OF THE PRODUCT FOR THEIR APPLICATION.

DRAWING NO:  
**BND-XXXXX**

DRAWING REV:  
**F**

SHT  
**3**

# Mouser Electronics

Authorized Distributor

Click to View Pricing, Inventory, Delivery & Lifecycle Information:

[TE Connectivity:](#)

[BND-1225-S](#)