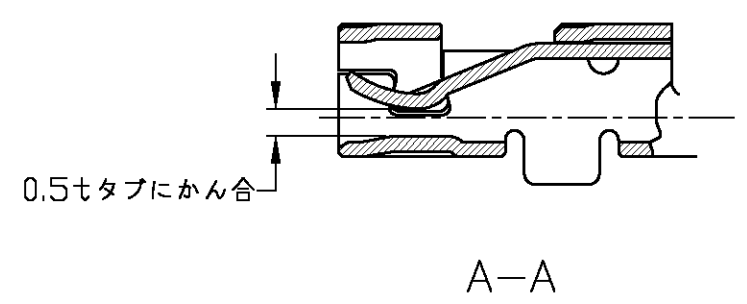
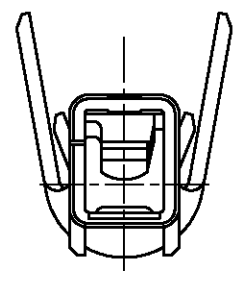
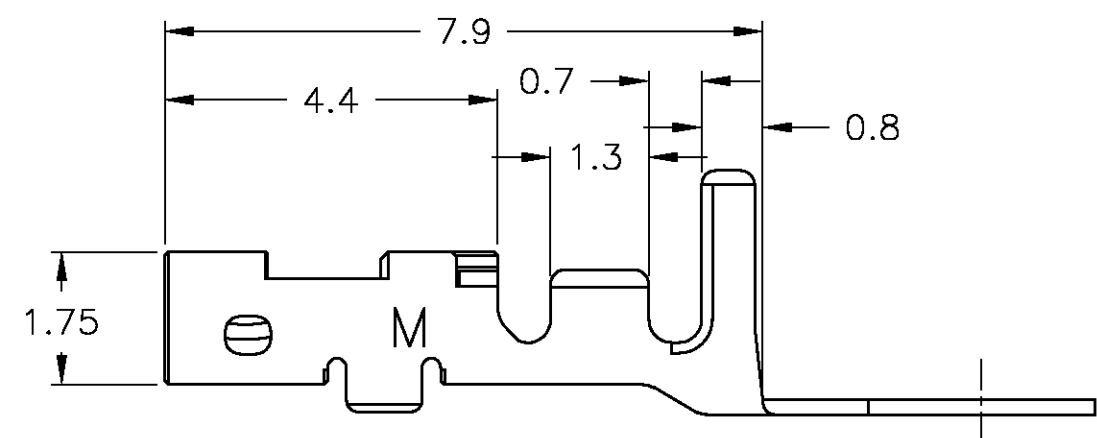
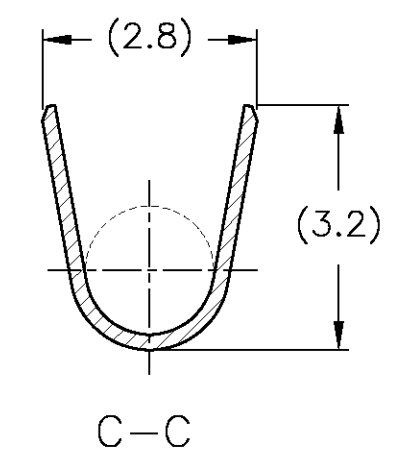
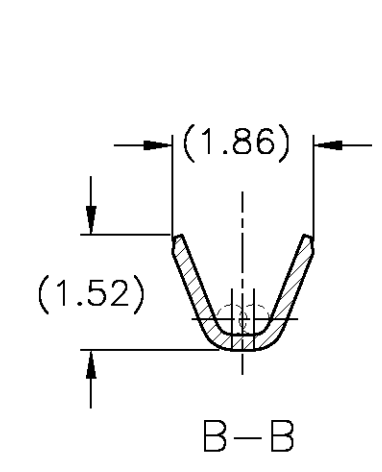
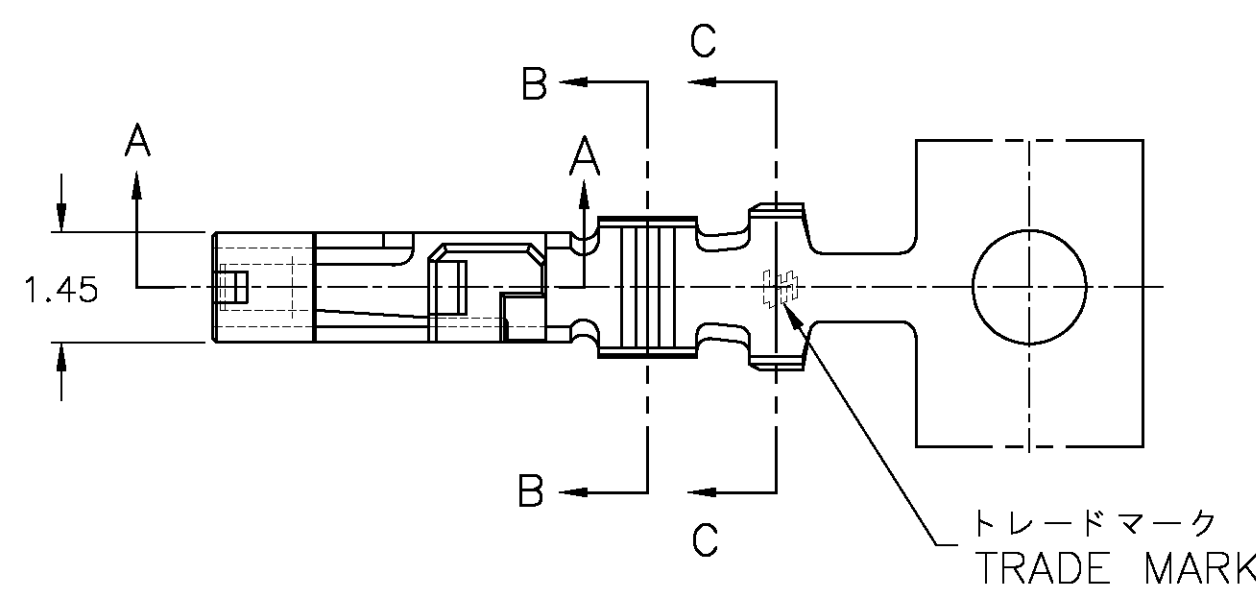


THIS DRAWING IS UNPUBLISHED. RELEASED FOR PUBLICATION FEB, 2006.
 © COPYRIGHT 2006 BY TYCO ELECTRONICS CORPORATION. ALL INTERNATIONAL RIGHTS RESERVED.

LOC	DIST	REVISIONS					
J	/	P	LTR	DESCRIPTION	DATE	DWN	APVD
		D		REVISED, ECR-10-023553	30NOV2010	Y.O	N.Y



1 適用プラグ・ハウジング型番
X-1747066-X
 △ 高接点圧タイプ

1 APPLICABLE PLUG HOUSING P/N
X-1747066-X
 △ HIGH PRESSURE TYPE

AWG#28~#22 0.079~0.38mm ²	φ1.08~φ1.9	PRE-TIN COPPER ALLOY 錫めっき済銅合金	1871859-2 △
AWG#28~#22 0.079~0.38mm ²	φ1.08~φ1.9	PRE-TIN COPPER ALLOY 錫めっき済銅合金	1871859-1
WIRE RANGE 導体断面積	INSULATION DIA 被覆外径	MATERIAL 材料	PART NO. 型番

THIS DRAWING IS A CONTROLLED DOCUMENT.		DWN J.SATO 21FEB2006	Tyco Electronics Corporation Kawasaki, Japan	
DIMENSIONS: 単位: 耗 mm		CHK N.YAMASAKI 21FEB2006	NAME N.YAMASAKI	
TOLERANCES UNLESS OTHERWISE SPECIFIED: 一般公差		APVD N.YAMASAKI 21FEB2006	PRODUCT SPEC 製品規格 108-78307	
0 PLC ±0.3 1 PLC ± 2 PLC ± 3 PLC ± 4 PLC ± ANGLES ±		APPLICATION SPEC 取付適用規格 114-5359	GRACE INERTIA CONNECTOR 2.5 REC CONTACT TIN PLATE TYPE M TYPE	
MATERIAL 材料 SEE TABLE	FINISH 仕上	WEIGHT	SIZE A3	CAGE CODE 00779
CUSTOMER DRAWING		DRAWING NO 番号 C-1871859	RESTRICTED TO	
		SCALE 尺度 10:1	SHEET 1 OF 1	REV D

Mouser Electronics

Authorized Distributor

Click to View Pricing, Inventory, Delivery & Lifecycle Information:

[TE Connectivity:](#)

[1871859-1](#)